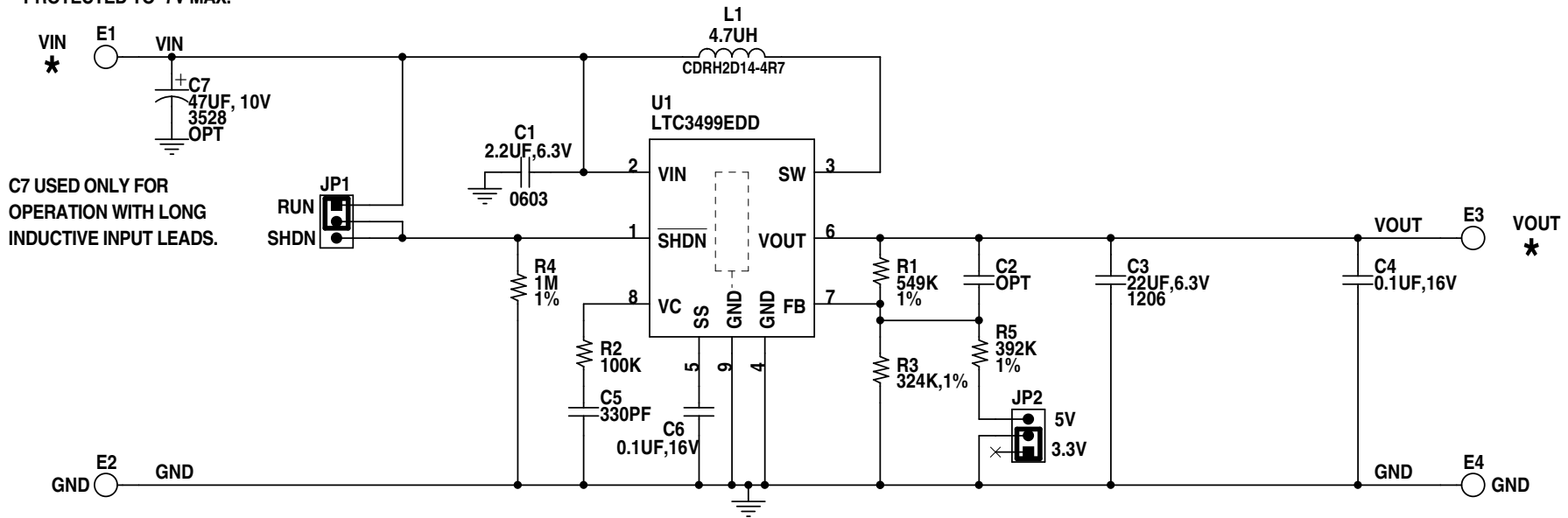


REVERSE BATTERY  
PROTECTED TO -7V MAX.



C7 USED ONLY FOR  
OPERATION WITH LONG  
INDUCTIVE INPUT LEADS.

* VIN	VOUT	IOUT
1.8V-3.0V	3.3V	250mA
1.8V-3.0V	5V	170mA
2.7V-4.2V	5V	270mA

### NOTES: UNLESS OTHERWISE SPECIFIED

- ALL RESISTORS ARE IN OHMS, 0402.  
ALL CAPACITORS ARE IN MICROFARADS, 0402.
- INSTALL SHUNT ON JP1 AND JP2 PIN 1 AND 2.

### CUSTOMER NOTICE

LINEAR TECHNOLOGY HAS MADE A BEST EFFORT TO DESIGN A CIRCUIT THAT MEETS CUSTOMER-SUPPLIED SPECIFICATIONS; HOWEVER, IT REMAINS THE CUSTOMER'S RESPONSIBILITY TO VERIFY PROPER AND RELIABLE OPERATION IN THE ACTUAL APPLICATION. COMPONENT SUBSTITUTION AND PRINTED CIRCUIT BOARD LAYOUT MAY SIGNIFICANTLY AFFECT CIRCUIT PERFORMANCE OR RELIABILITY. CONTACT LINEAR TECHNOLOGY APPLICATIONS ENGINEERING FOR ASSISTANCE.

THIS CIRCUIT IS PROPRIETARY TO LINEAR TECHNOLOGY AND SUPPLIED FOR USE WITH LINEAR TECHNOLOGY PARTS.

CONTRACT NO.

APPROVALS

DRAWN: KIM T.

CHECKED:

APPROVED:

ENGINEER: JESUS R.

DESIGNER:



1630 McCarthy Blvd.  
Milpitas, CA 95035  
Phone: (408)432-1900  
Fax: (408)434-0507  
LTC Confidential-For Customer Use Only

TITLE: SCHEMATIC

750mA, 1.2MHz SYNCHRONOUS BOOST CONVERTER

SIZE  
A

DWG NO.

DC849A-1 \* LTC3499EDD

REV  
A-1

DATE: Monday, January 16, 2006

SHEET 1 OF 1