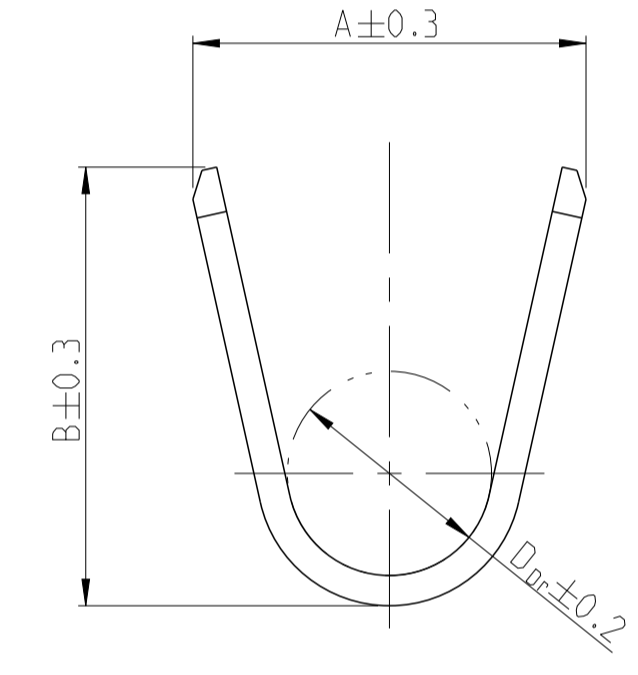
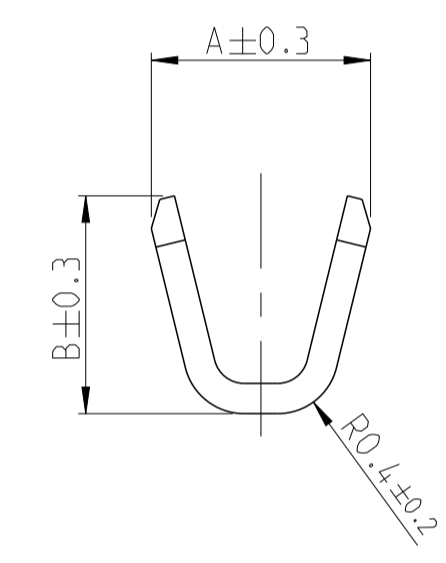
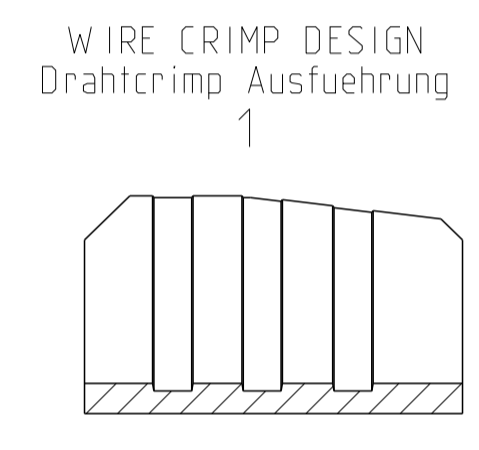
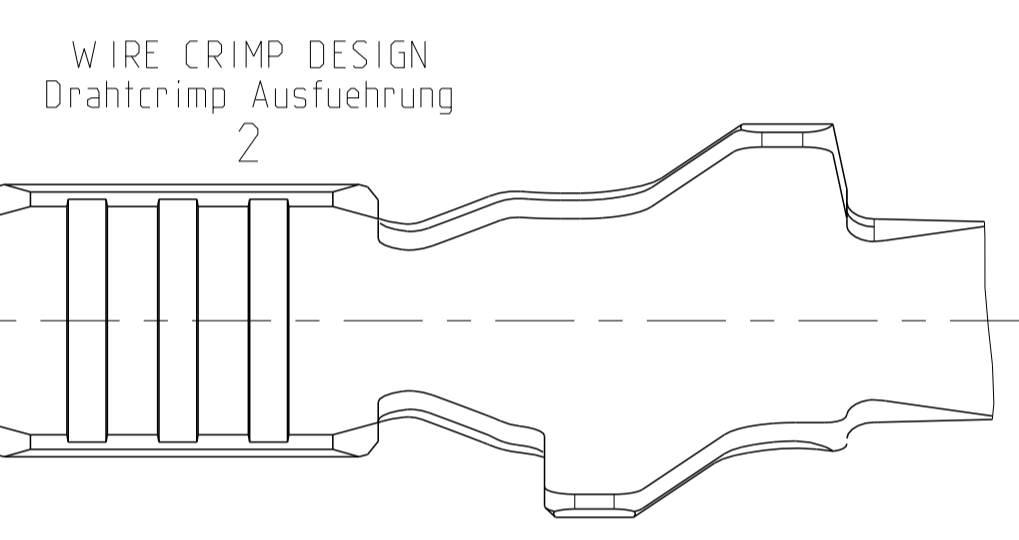
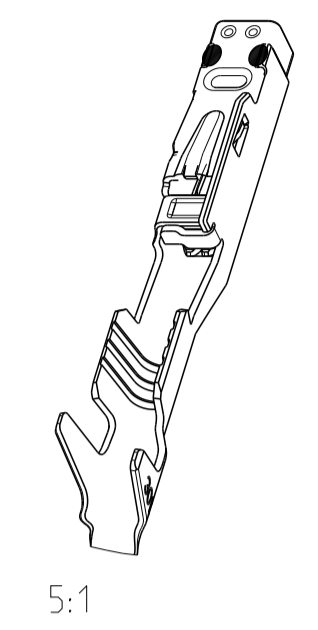
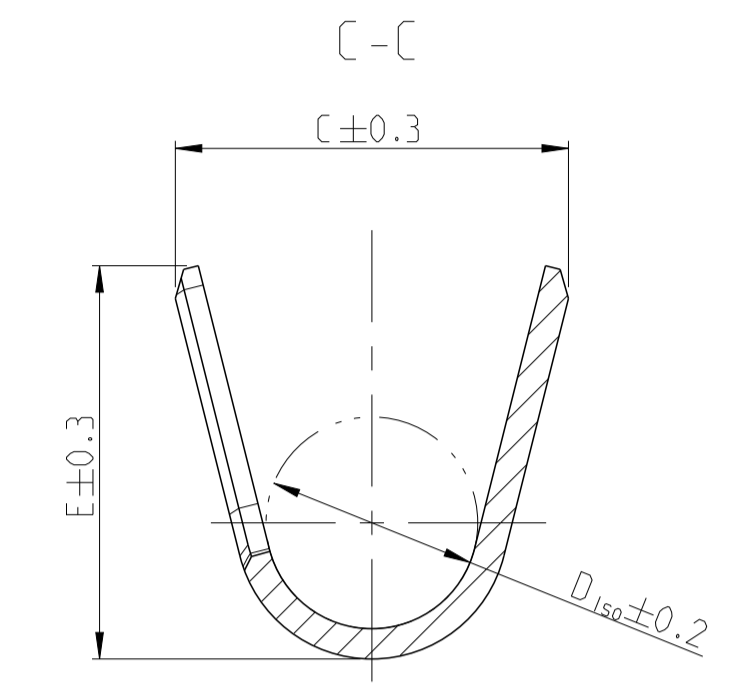
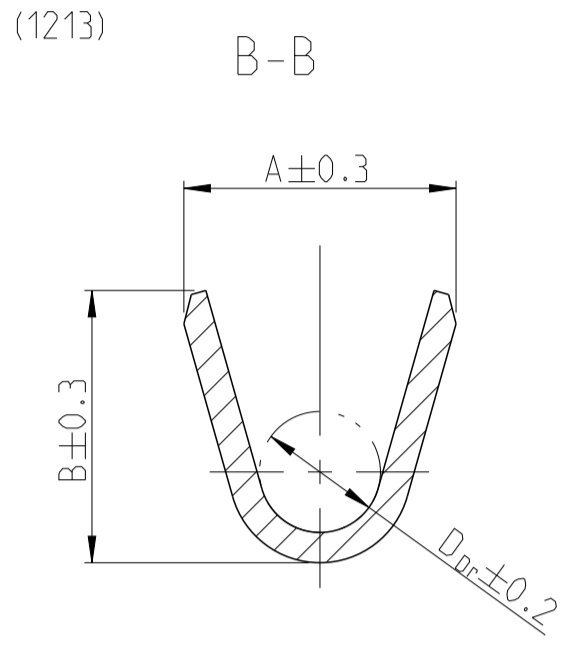
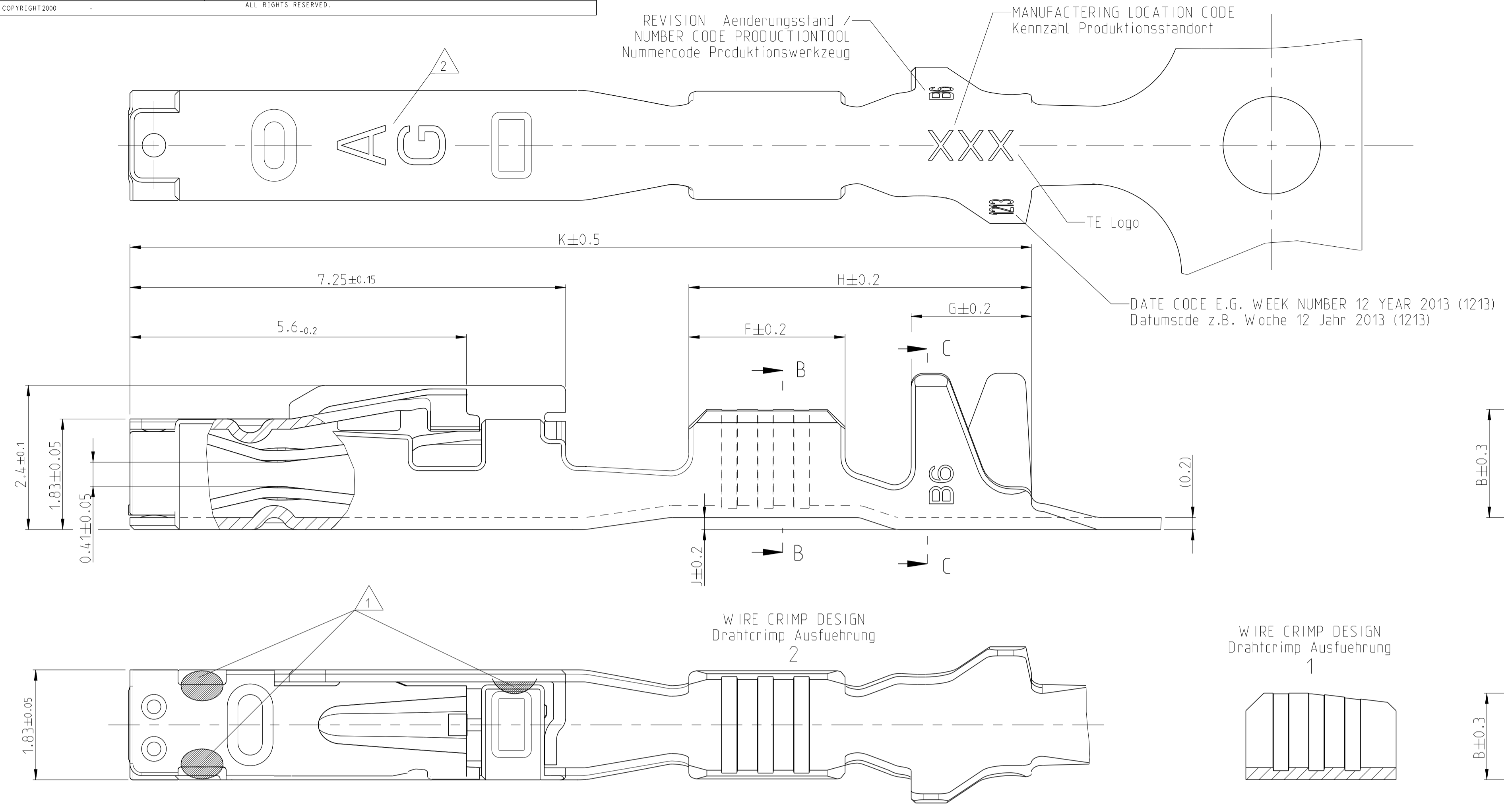


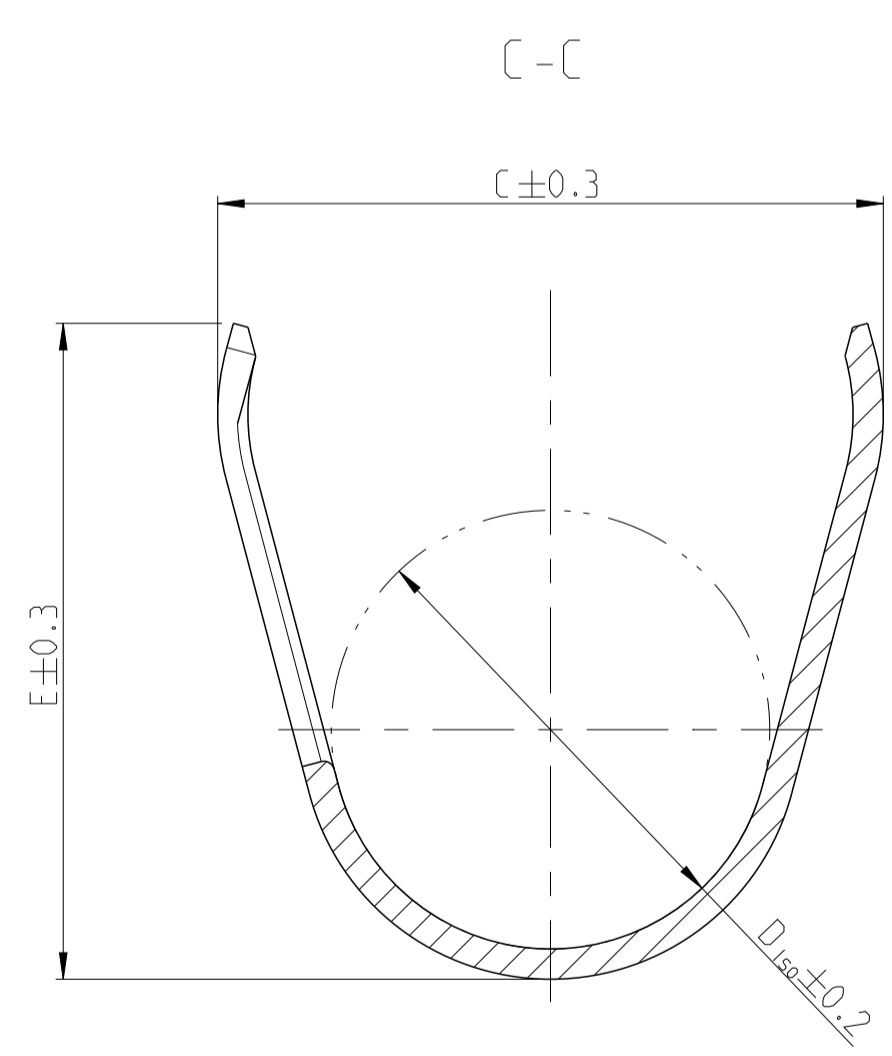
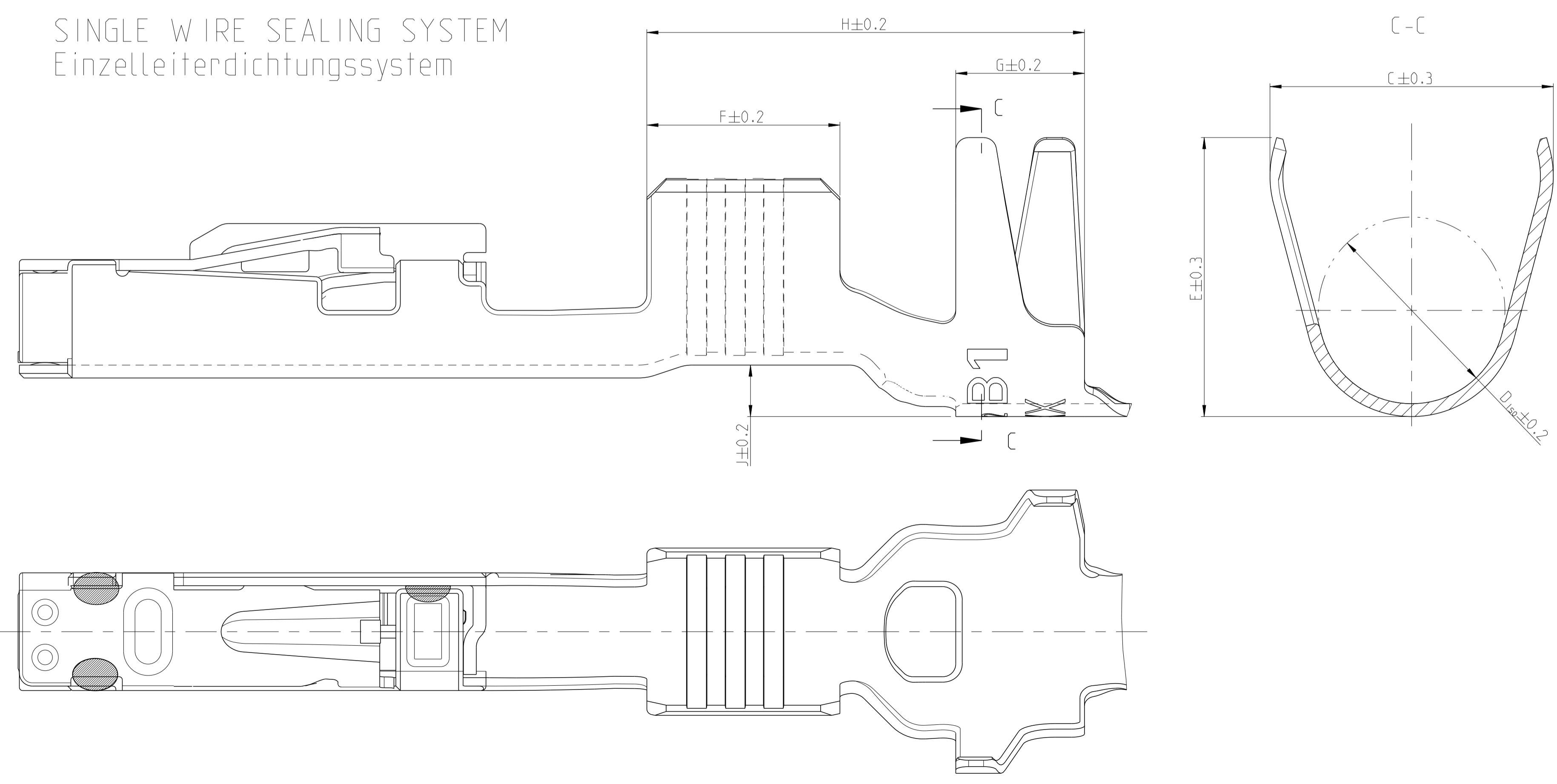
REVISION Aenderungsstand /  
 NUMBER CODE PRODUCTIONTOOL  
 Nummercode Produktionswerkzeug

MANUFACTURING LOCATION CODE  
 Kennzahl Produktionsstandort

STANDARD APPLICATION  
 Standard Anwendung

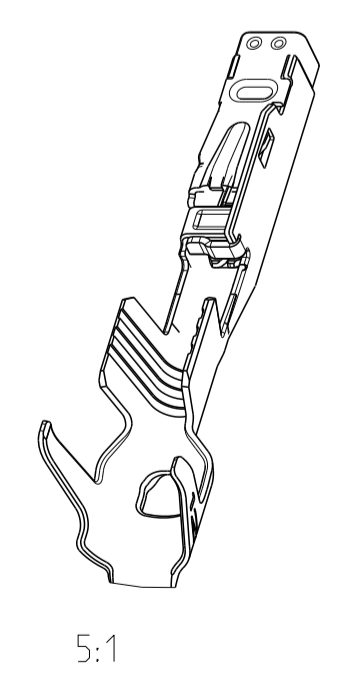


SINGLE WIRE SEALING SYSTEM  
 Einzelleiterdichtungssystem



NOTES  
 Bemerkungen

- 1 LASER WELDED  
 Lasergeschweisst
- 2 STAMPED INDICATOR FOR PLATING:  
 - AU GOLD PLATING  
 - AG SILVER PLATING  
 - TIN PLATING WITHOUT INDICATOR  
 Markierung fuer galvanische Ausfuehrung:  
 - AU vergoldet  
 - AG versilbert  
 - verzinkt: ohne Markierung
- 3 TO BE USED ON TAB  
 1.2±0.1 x 0.6±0.03 MM  
 geeignet fuer Flachstecker  
 1.2±0.1 x 0.6±0.03 mm



THIS DRAWING IS A CONTROLLED DOCUMENT.		OWN E. Horn	11NOV2011	TE Connectivity NAME MCON 1.2 LL (LOCKING-LANCE)
DIMENSIONS: mm		CHK R. Meier	11NOV2011	
TOLERANCES UNLESS OTHERWISE SPECIFIED: mm		APVD V. Seipel	11NOV2011	SIZE A1
0-2 PLC ±0.2 3-5 PLC ±0.2 6-8 PLC ±0.2 ANGLES ±1° FINISH		PRODUCT SPEC 108-18782	APPLICATION SPEC 114-18464	RESTRICTED TO -
MATERIAL		WEIGHT 0.18 g	Customer Drawing	SCALE 20:1
		00779 C=1452674		SHEET 1 OF 2
				REV C6

LOC	DIST	REVISIONS					
		P	LTN	DESCRIPTION	DATE	OWN	APVD
A1	-	-	-	SEE SHEET 1	-	-	-

SINGLE WIRE SEAL / Einzelzeichnung	REV.	RANGE Bereich	INSULATION Ø Isolations-Ø (mm)	AWG	mm <sup>2</sup>	BODY Kontakt-körper	SPRING Kontakt-feder	BODY Kontakt-körper	SPRING Kontakt-feder	DESIGN WIRE-CRIMP Ausführung Draht-Crimp	A	B	D <sub>Dr</sub>	C	E	D <sub>ISO</sub>	F	G	H	J	K	Ø3.55 [mm]	Ø3.95 [mm]	BLINDPLUG ORDER NO. B (indisoption Bestell-Nr.)	APPLICATION TOOLS Verarbeitungswerkzeuge	MATERIAL					
																										CuSn4	CuNiSi	Surface	TE NO.		
2141970-3	A	0.13-	0.95-	-	0.13																					967067-2	963142-2	967056-1 for Ø 3.55 963143-1 for Ø 3.95	SEE APPLICATION SPEC. 114-18464 Siehe Verarbeitungsspez. 114-18464		
2141970-2	A	0.22	1.2	-	0.17																										
2141970-1	A	9		-	0.22																										
7-1452665-3	A	0.25-	1.1-	-	0.25																										
7-1452665-2	A			24	-																										
7-1452665-1	A	0.35	1.75	-	0.35																										
7-1452668-3	A	0.5-	1.4-	20	0.5																										
7-1452668-2	A																														
7-1452668-1	A	0.75	1.9	-	0.75																										
7-1452671-3	A	1-	1.9-	18	-																										
7-1452671-2	A				1																										
7-1452671-1	A	1.5	2.4	-	1.5																										

STANDARD APPLICATION Standardanwendung	REV.	RANGE Bereich	INSULATION Ø Isolations-Ø (mm)	AWG	mm <sup>2</sup>	BODY Kontakt-körper	SPRING Kontakt-feder	BODY Kontakt-körper	SPRING Kontakt-feder	DESIGN WIRE-CRIMP Ausführung Draht-Crimp	A	B	D <sub>Dr</sub>	C	E	D <sub>ISO</sub>	F	G	H	J	K	Ø3.55 [mm]	Ø3.95 [mm]	BLINDPLUG ORDER NO. B (indisoption Bestell-Nr.)	APPLICATION TOOLS Verarbeitungswerkzeuge	MATERIAL				
																										CuSn0.15/0.2	CuNiSi	Surface	TE NO.	
0-1452665-3	B	0.25-	1.1-	-	0.25																									
0-1452665-2	B			24	-																									
0-1452665-1	B	0.35	1.75	-	0.35																									
0-1452668-3	C	0.5-	1.4-	20	0.5																									
0-1452668-2	C																													
0-1452668-1	C	0.75	1.9	-	0.75																									
0-1452671-3	B	1-	1.9-	18	-																									
0-1452671-2	B				1																									
0-1452671-1	B	1.5	2.4	-	1.5																									

## 7- VARIANTS FOR NEW APPLICATIONS

- NOTES  
Bemerkungen
- 4 ONLY FOR FLR-WIRE SEE DIN 72551, PART 6 AND AWG WIRE ACCORDING DC-SPEC: MS-8288 ; MS-7889 ; MS-9532  
Nur fuer FLR-Leitung nach DIN 72551, Teil 6 und AWG Leitung nach DC-SPEC: MS-8288 ; MS-7889 ; MS-9532
  - 5 PRE TIN SnAg 1.0 TO 3.0µm  
Vorverzinkt SnAg 1.0 bis 3.0µm
  - 6 SPRING GOLD PLATED MIN. 0.8µm (only contact area)  
Kontaktfeder galv. vergoldet min.0.8µm (nur Kontaktzone)
  - 7 SPRING SILVER PLATED 2.0 TO 5.0µm (only contact area)  
Kontaktfeder galv. versilbert 2.0 bis 5.0µm (nur Kontaktzone)
  - 8 BODY PRE TIN Sn 1.0 TO 3.0µm  
Kontaktkoerper vorverzinkt Sn 1.0 bis 3.0µm
  - 9 REINFORCED WIRE ACCORDING TO LV 112-4  
Zugverstaerkte Leitung nach LV 112-4

## 0- VARIANTS SUPERSEDED BY 7- VARIANTS (SEE TABLE ON TOP) NOT FOR NEW APPLICATIONS

THIS DRAWING IS A CONTROLLED DOCUMENT.

OWN E. Horn 11NOV2011		NAME MCON 1.2 LL (LOCKING-LANCE)
CHK R. Meier 11NOV2011		
APVD V. Seigel 11NOV2011		
DIMENSIONS: mm 	TOLERANCES UNLESS OTHERWISE SPECIFIED: ±0.2 ±0.1 ±0.05 ±0.02 ANGLES FINISH	PRODUCT SPEC 108-18782 APPLICATION SPEC 114-18464 WEIGHT Customer Drawing
MATERIAL: - FINISH: -	SIZE CAGE CODE DRAWING NO A1 00779 C=1452674	RESTRICTED TO - SCALE - SHEET 2 OF 2 REV C6