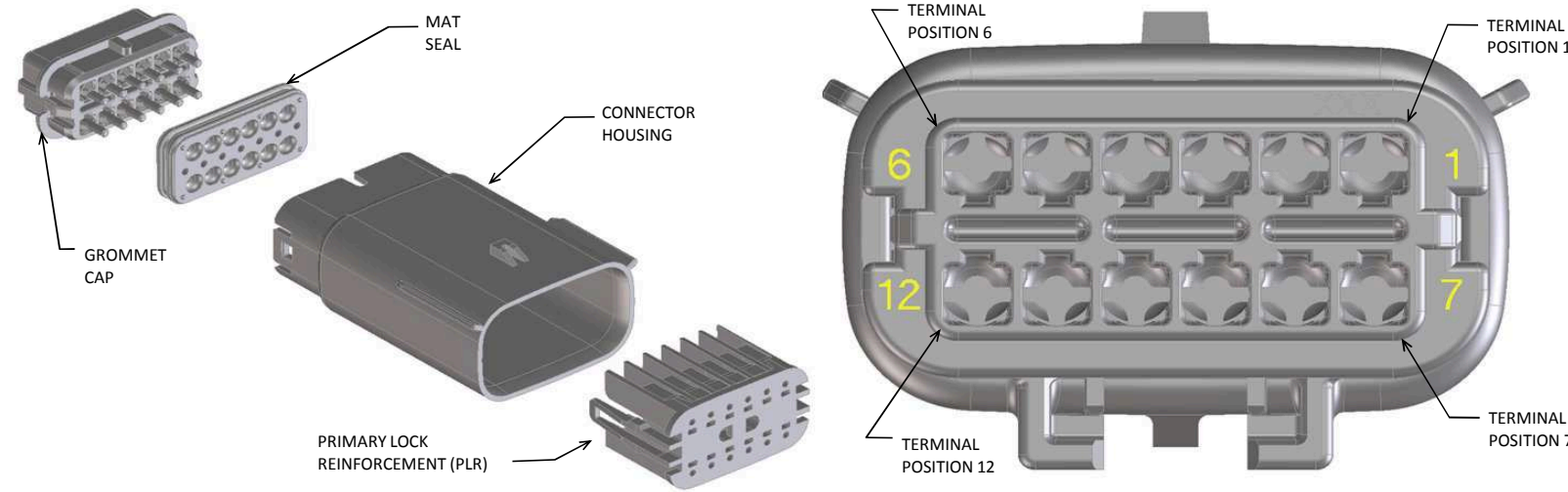


**MX150 2X6 BLADE SEALED ASSY MAT SEAL
BOM AND PIN OUT SHEET**



ABBREVIATION	DESCRIPTION	COLOR	MATERIAL
A-BLK	HOUSING, KEYING OPTION A	BLACK	SPS/NYLON GF20
B-LG	HOUSING, KEYING OPTION B	LIGHT GRAY	SPS/NYLON GF20
C-BR	HOUSING, KEYING OPTION C	BROWN	SPS/NYLON GF20
D-GR	HOUSING, KEYING OPTION D	GREEN	SPS/NYLON GF20
A-YL	HOUSING, KEYING OPTION A	YELLOW	SPS/NYLON GF20
C-DG	HOUSING, KEYING OPTION C	DARK GRAY	SPS/NYLON GF20
D-SG	HOUSING, KEYING OPTION D	STONE GRAY	SPS/NYLON GF20
GCP	GROMMET CAP (PLUGGED)	BLACK	SPS/NYLON GF20
PLR	PLR	NATURAL	SPS/NYLON GF20
M	MAT SEAL	RUST RED	INHERENTLY LUBRICATED SILICONE

FOR ADDITIONAL INFORMATION SEE SD-33482-0001

ASSEMBLY DESCRIPTION	ASSEMBLY PART NUMBER	COMPONENT				BLOCKED TERMINALS												STATUS	COMMENTS	OPTIONAL ATTACHMENTS SOLD SEPERATELY		
		THE PRESENCE OF AN ABBREVIATION INDICATES THE PRESENCE OF THAT COMPONENT.				CAVITY WITH A NUMBER INDICATES BLOCKED TERMINAL POSITION CAVITY WITHOUT A NUMBER INDICATES OPEN TERMINAL POSITION														BACKSHELL WITH RIBS	BACKSHELL WITHOUT RIBS	
		HOUSING KEY/COLOR	GROMMET CAP	PLR	MAT SEAL	1	2	3	4	5	6	7	8	9	10	11	12					
KEY A, BLACK	33482-1201	A-BLK	GCP	PLR	M													SALEABLE		34950-1210	34950-1220	
KEY B, LIGHT GRAY	33482-1202	B-LG	GCP	PLR	M													SALEABLE		34950-1210	34950-1220	
KEY C, BROWN	33482-1203	C-BR	GCP	PLR	M													NOT RECOMMENDED	SEE 33482-1261	34950-1210	34950-1220	
KEY D, GREEN	33482-1204	D-GR	GCP	PLR	M													NOT RECOMMENDED	SEE 33482-1262	34950-1210	34950-1220	
VOID KEY	33482-1205																					
KEY A, BLACK	33482-1206	A-BLK	GCP	PLR	M						6							SALEABLE		34950-1210	34950-1220	
KEY B, LIGHT GRAY	33482-1207	B-LG	GCP	PLR	M						6							SALEABLE		34950-1210	34950-1220	
KEY C, BROWN	33482-1208	C-BR	GCP	PLR	M						6							NOT RECOMMENDED		34950-1210	34950-1220	
KEY D, GREEN	33482-1209	D-GR	GCP	PLR	M						6							NOT RECOMMENDED		34950-1210	34950-1220	
VOID KEY	33482-1210																					
KEY A, BLACK	33482-1211	A-BLK	GCP	PLR	M						6	7						SALEABLE		34950-1210	34950-1220	
KEY B, LIGHT GRAY	33482-1212	B-LG	GCP	PLR	M						6	7						SALEABLE		34950-1210	34950-1220	
KEY C, BROWN	33482-1213	C-BR	GCP	PLR	M						6	7						NOT RECOMMENDED		34950-1210	34950-1220	
KEY D, GREEN	33482-1214	D-GR	GCP	PLR	M						6	7						NOT RECOMMENDED		34950-1210	34950-1220	
VOID KEY	33482-1215																					
KEY A, BLACK	33482-1216	A-BLK	GCP	PLR	M	1					6	7						SALEABLE		34950-1210	34950-1220	
KEY B, LIGHT GRAY	33482-1217	B-LG	GCP	PLR	M	1					6	7						SALEABLE		34950-1210	34950-1220	
KEY C, BROWN	33482-1218	C-BR	GCP	PLR	M	1					6	7						NOT RECOMMENDED	SEE 33482-1320	34950-1210	34950-1220	
KEY D, GREEN	33482-1219	D-GR	GCP	PLR	M	1					6	7						NOT RECOMMENDED	SEE 33482-1285	34950-1210	34950-1220	
VOID KEY	33482-1220																					
KEY A, BLACK	33482-1221	A-BLK	GCP	PLR	M	1					6	7						SALEABLE		34950-1210	34950-1220	
KEY B, LIGHT GRAY	33482-1222	B-LG	GCP	PLR	M	1					6	7						SALEABLE		34950-1210	34950-1220	
KEY C, BROWN	33482-1223	C-BR	GCP	PLR	M	1					6	7						NOT RECOMMENDED		34950-1210	34950-1220	
KEY D, GREEN	33482-1224	D-GR	GCP	PLR	M	1					6	7						NOT RECOMMENDED		34950-1210	34950-1220	
VOID KEY	33482-1225																					
KEY A, BLACK	33482-1226	A-BLK	GCP	PLR	M						6							SALEABLE		34950-1210	34950-1220	
KEY A, BLACK	33482-1227	A-BLK	GCP	PLR	M	1	2	3	4	5	6	7	8	9	10	11	12	SALEABLE		34950-1210	34950-1220	
KEY B, LIGHT GRAY	33482-1228	B-LG	GCP	PLR	M	1	2	3	4	5	6	7	8	9	10	11	12	SALEABLE		34950-1210	34950-1220	
KEY C, BROWN	33482-1229	C-BR	GCP	PLR	M	1	2	3	4	5	6	7	8	9	10	11	12	NOT RECOMMENDED	SEE 33482-1263	34950-1210	34950-1220	
KEY D, GREEN	33482-1230	D-GR	GCP	PLR	M	1	2	3	4	5	6	7	8	9	10	11	12	NOT RECOMMENDED	SEE 33482-1264	34950-1210	34950-1220	
VOID KEY	33482-1231																					
KEY A, BLACK	33482-1232	A-BLK	GCP	PLR	M		2	3					8				11	SALEABLE		34950-1210	34950-1220	
KEY A, BLACK	33482-1233	A-BLK	GCP	PLR	M		2	3			5	6	7	8			11	SALEABLE		34950-1210	34950-1220	
KEY A, BLACK	33482-1234	A-BLK	GCP	PLR	M						6	7	8					SALEABLE		34950-1210	34950-1220	
KEY A, BLACK	33482-1235	A-BLK	GCP	PLR	M		2	3			6	7	8		10	11		SALEABLE		34950-1210	34950-1220	
KEY B, LIGHT GRAY	33482-1236	B-LG	GCP	PLR	M	1					5	6	7	8	9	10		SALEABLE		34950-1210	34950-1220	
KEY A, BLACK	33482-1237	A-BLK	GCP	PLR	M		2											SALEABLE		34950-1210	34950-1220	
KEY B, LIGHT GRAY	33482-1238	B-LG	GCP	PLR	M		2								9	10		SALEABLE		34950-1210	34950-1220	
KEY A, BLACK	33482-1239	A-BLK	GCP	PLR	M	1					5	6	7	8				SALEABLE		34950-1210	34950-1220	
KEY A, BLACK	33482-1240	A-BLK	GCP	PLR	M			2	3					8	9	10	11	SALEABLE		34950-1210	34950-1220	
KEY A, BLACK	33482-1241	A-BLK	GCP	PLR	M								7	8	9	10	11	SALEABLE		34950-1210	34950-1220	
KEY A, BLACK	33482-1242	A-BLK	GCP	PLR	M								7	8				SALEABLE		34950-1210	34950-1220	
KEY A, BLACK	33482-1243	A-BLK	GCP	PLR	M		2								9	10		SALEABLE		34950-1210	34950-1220	
KEY A, BLACK	33482-1244	A-BLK	GCP	PLR	M		2			4								SALEABLE		34950-1210	34950-1220	
KEY A, BLACK	33482-1245	A-BLK	GCP	PLR	M										9	10	11	12	SALEABLE		34950-1210	34950-1220
KEY A, BLACK	33482-1246	A-BLK	GCP	PLR	M												11	SALEABLE		34950-1210	34950-1220	
KEY A, BLACK	33482-1247	A-BLK	GCP	PLR	M			2	3	4								SALEABLE		34950-1210	34950-1220	
KEY A, BLACK	33482-1248	A-BLK	GCP	PLR	M	1			3	4		5	6	7	8			SALEABLE		34950-1210	34950-1220	
KEY A, BLACK	33482-1249	A-BLK	GCP	PLR	M										10	11	12	SALEABLE		34950-1210	34950-1220	
KEY A, BLACK	33482-1250	A-BLK	GCP	PLR	M				4	5	6	7	8	9				SALEABLE		34950-1210	34950-1220	

**MX150 2X6 BLADE SEALED ASSY MAT SEAL
BOM AND PIN OUT SHEET**

ASSEMBLY DESCRIPTION	ASSEMBLY PART NUMBER	COMPONENT				BLOCKED TERMINALS												STATUS	COMMENTS	OPTIONAL ATTACHMENTS SOLD SEPERATELY		
		THE PRESENCE OF AN ABBREVIATION INDICATES THE PRESENCE OF THAT COMPONENT.				CAVITY WITH A NUMBER INDICATES BLOCKED TERMINAL POSITION CAVITY WITHOUT A NUMBER INDICATES OPEN TERMINAL POSITION														BACKSHELL WITH RIBS	BACKSHELL WITHOUT RIBS	
		HOUSING KEY/COLOR	GROMMET CAP	PLR	MAT SEAL	1	2	3	4	5	6	7	8	9	10	11	12					
KEY A, BLACK	33482-1325	A-BLK	GCP	PLR	M			3					9					SALEABLE		34950-1210	34950-1220	
KEY A, BLACK	33482-1326	A-BLK	GCP	PLR	M					5	6	7			10	11		SALEABLE		34950-1210	34950-1220	
KEY A, BLACK	33482-1327	A-BLK	GCP	PLR	M							7				11		SALEABLE		34950-1210	34950-1220	
KEY C, DARK GRAY	33482-1328	C-DG	GCP	PLR	M	1	2	3	4	5	6							SALEABLE		34950-1210	34950-1220	
KEY C, DARK GRAY	33482-1329	C-DG	GCP	PLR	M	1	2			5	6							SALEABLE		34950-1210	34950-1220	
KEY A, BLACK	33482-1330	A-BLK	GCP	PLR	M	1	2	3	4					9	10	11	12	SALEABLE		34950-1210	34950-1220	
KEY A, BLACK	33482-1331	A-BLK	GCP	PLR	M	1	2				6	7	8				12	SALEABLE		34950-1210	34950-1220	
KEY A, BLACK	33482-1332	A-BLK	GCP	PLR	M				4	5		7	8	9	10			SALEABLE		34950-1210	34950-1220	
KEY A, BLACK	33482-1333	A-BLK	GCP	PLR	M				4				9	10				SALEABLE		34950-1210	34950-1220	
KEY A, BLACK	33482-1334	A-BLK	GCP	PLR	M				4	5			8		10			SALEABLE		34950-1210	34950-1220	
KEY A, BLACK	33482-1335	A-BLK	GCP	PLR	M	1	2		4	5	6	7					12	SALEABLE		34950-1210	34950-1220	
KEY A, YELLOW	33482-1336	A-YL	GCP	PLR	M													SALEABLE		34950-1210	34950-1220	
KEY B, LIGHT GRAY	33482-1337	B-LG	GCP	PLR	M					5			8					SALEABLE		34950-1210	34950-1220	
KEY B, LIGHT GRAY	33482-1338	B-LG	GCP	PLR	M					5			8			11	12	SALEABLE		34950-1210	34950-1220	
KEY B, LIGHT GRAY	33482-1339	B-LG	GCP	PLR	M			3	4	5			8	9	10	11	12	SALEABLE		34950-1210	34950-1220	
KEY B, LIGHT GRAY	33482-1340	B-LG	GCP	PLR	M	1	2	3	4	5			8	9	10	11	12	SALEABLE		34950-1210	34950-1220	
KEY A, BLACK	33482-1341	A-BLK	GCP	PLR	M	1	2	3		5				9		11		SALEABLE		34950-1210	34950-1220	
KEY A, BLACK	33482-1342	A-BLK	GCP	PLR	M		2	3		5						11		SALEABLE		34950-1210	34950-1220	
KEY A, BLACK	33482-1343	A-BLK	GCP	PLR	M	1	2	3					9			11		SALEABLE		34950-1210	34950-1220	
KEY A, BLACK	33482-1344	A-BLK	GCP	PLR	M	1	2	3	4	5				9		11	12	SALEABLE		34950-1210	34950-1220	
KEY A, BLACK	33482-1345	A-BLK	GCP	PLR	M		2	3	4	5						11	12	SALEABLE		34950-1210	34950-1220	
KEY A, BLACK	33482-1346	A-BLK	GCP	PLR	M	1												SALEABLE		34950-1210	34950-1220	
KEY A, BLACK	33482-1347	A-BLK	GCP	PLR	M	1	2	3										SALEABLE		34950-1210	34950-1220	
KEY B, LIGHT GRAY	33482-1348	B-LG	GCP	PLR	M	1	2	3	4		6					11	12	SALEABLE		34950-1210	34950-1220	
KEY A, BLACK	33482-1349	A-BLK	GCP	PLR	M				4				7	8				SALEABLE		34950-1210	34950-1220	
KEY A, BLACK	33482-1350	A-BLK	GCP	PLR	M		2						8					SALEABLE		34950-1210	34950-1220	
KEY A, BLACK	33482-1351	A-BLK	GCP	PLR	M		2		4				8		10			SALEABLE		34950-1210	34950-1220	
KEY A, BLACK	33482-1352	A-BLK	GCP	PLR	M	1	2	3	4	5	6		8		10	11	12	SALEABLE		34950-1210	34950-1220	
KEY A, BLACK	33482-1353	A-BLK	GCP	PLR	M	1					6	7	8			12		SALEABLE		34950-1210	34950-1220	
KEY A, BLACK	33482-1354	A-BLK	GCP	PLR	M		2	3	4		6		8		10	11	12	SALEABLE		34950-1210	34950-1220	
KEY A, BLACK	33482-1355	A-BLK	GCP	PLR	M		2				6	7	8		10	11		SALEABLE		34950-1210	34950-1220	
KEY A, BLACK	33482-1356	A-BLK	GCP	PLR	M	1	2	3	4		6				10	11	12	SALEABLE		34950-1210	34950-1220	
KEY A, BLACK	33482-1357	A-BLK	GCP	PLR	M					5			8					SALEABLE		34950-1210	34950-1220	
KEY A, BLACK	33482-1358	A-BLK	GCP	PLR	M				4						10			SALEABLE		34950-1210	34950-1220	
KEY A, BLACK	33482-1359	A-BLK	GCP	PLR	M				4				7	8	9	10	11	12	SALEABLE		34950-1210	34950-1220
KEY A, BLACK	33482-1360	A-BLK	GCP	PLR	M					5	6		8	9	10	11	12	SALEABLE		34950-1210	34950-1220	
KEY A, BLACK	33482-1361	A-BLK	GCP	PLR	M				4	5	6		8	9	10	11	12	SALEABLE		34950-1210	34950-1220	
KEY A, BLACK	33482-1362	A-BLK	GCP	PLR	M	1	2	3		5	6	7	8	9		11	12	SALEABLE		34950-1210	34950-1220	
KEY A, BLACK	33482-1363	A-BLK	GCP	PLR	M				4	5			7	8	9	10	11	12	SALEABLE		34950-1210	34950-1220
KEY A, BLACK	33482-1364	A-BLK	GCP	PLR	M				4				7	9	10			SALEABLE		34950-1210	34950-1220	
KEY A, BLACK	33482-1365	A-BLK	GCP	PLR	M						6	7	8	9	10	11	12	SALEABLE		34950-1210	34950-1220	
KEY A, BLACK	33482-1366	A-BLK	GCP	PLR	M	1	2				6	7				11	12	SALEABLE		34950-1210	34950-1220	
KEY A, BLACK	33482-1367	A-BLK	GCP	PLR	M					5			8		10			SALEABLE		34950-1210	34950-1220	

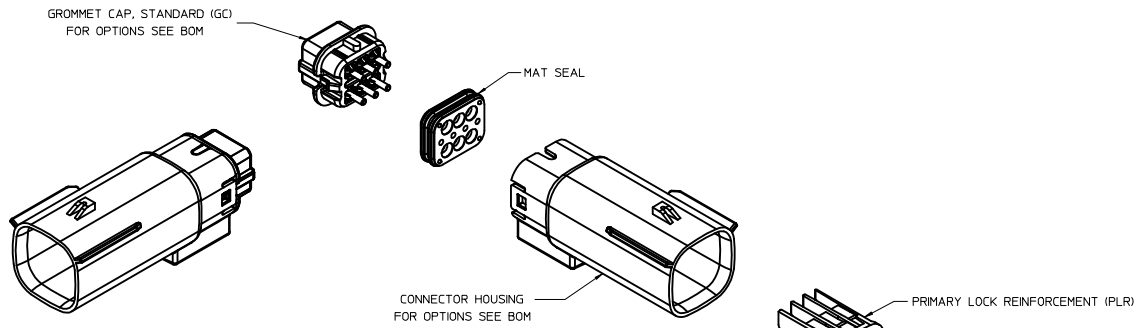
MX150 2X8 BLADE SEALED ASSY MAT SEAL
BOM AND PIN OUT SHEET

ASSEMBLY DESCRIPTION	ASSEMBLY PART NUMBER	COMPONENT				BLOCKED TERMINALS																STATUS	COMMENTS	OPTIONAL ATTACHMENTS SOLD SEPERATELY						
		THE PRESENCE OF AN ABBREVIATION INDICATES THE PRESENCE OF THAT COMPONENT.				CAVITY WITH A NUMBER INDICATES BLOCKED TERMINAL POSITION CAVITY WITHOUT A NUMBER INDICATES OPEN TERMINAL POSITION																		BACKSHELL WITH RIBS	BACKSHELL WITHOUT RIBS					
		HOUSING KEY/COLOR	GROMMET CAP	PLR	MAT SEAL	1	2	3	4	5	6	7	8	9	10	11	12	13	14	15	16									
KEY A, BLACK	33482-1749	A-BLK	GCP	PLR	M	1									10	11	12	13	14		16	SALEABLE								
KEY A, BLACK	33482-1750	A-BLK	GCP	PLR	M	1	2							9	10	11	12	13	14			16	SALEABLE							
KEY C, DARK GRAY	33482-1751	C-DG	GCP	PLR	M							8																		
KEY D, STONE GRAY	33482-1752	D-SG	GCP	PLR	M							8																		
KEY C, DARK GRAY	33482-1753	C-DG	GCP	PLR	M							8	9																	
KEY D, STONE GRAY	33482-1754	D-SG	GCP	PLR	M							8	9																	
KEY C, DARK GRAY	33482-1755	C-DG	GCP	PLR	M	1						8	9																	
KEY D, STONE GRAY	33482-1756	D-SG	GCP	PLR	M	1						8	9																	
KEY C, DARK GRAY	33482-1757	C-DG	GCP	PLR	M	1						8	9													16				
KEY D, STONE GRAY	33482-1758	D-SG	GCP	PLR	M	1						8	9													16				
KEY A, BLACK	33482-1759	A-BLK	GCP	PLR	M	1	2	3	4	5		8	9	10	11	12	13	14								16				
KEY A, BLACK	33482-1760	A-BLK	GCP	PLR	M		2						7														16			
KEY A, BLACK	33482-1761	A-BLK	GCP	PLR	M		2					5																16		
KEY A, BLACK	33482-1762	A-BLK	GCP	PLR	M	1	2					5		7														16		
KEY A, BLACK	33482-1763	A-BLK	GCP	PLR	M							7																16		
KEY A, BLACK	33482-1764	A-BLK	GCP	PLR	M							5	6	7														16		
KEY A, BLACK	33482-1765	A-BLK	GCP	PLR	M		2					5	7															16		
KEY A, BLACK	33482-1766	A-BLK	GCP	PLR	M							5	6	7														16		
KEY A, BLACK	33482-1767	A-BLK	GCP	PLR	M							5	6	7														16		
KEY A, BLACK	33482-1768	A-BLK	GCP	PLR	M							5	6	7														16		
KEY A, BLACK	33482-1769	A-BLK	GCP	PLR	M	1			4	5	6			8														16		
KEY A, BLACK	33482-1770	A-BLK	GCP	PLR	M	1	2		4	5	6			8	9	10												16		
KEY A, BLACK	33482-1771	A-BLK	GCP	PLR	M	1			4			6	7	8														16		
KEY A, BLACK	33482-1772	A-BLK	GCP	PLR	M										10													16		
KEY A, BLACK	33482-1773	A-BLK	GCP	PLR	M	1	2	3	4	5	6																	16		
KEY A, BLACK	33482-1774	A-BLK	GCP	PLR	M											10												15		
KEY A, BLACK	33482-1775	A-BLK	GCP	PLR	M										9	10												15	16	
KEY A, BLACK	33482-1776	A-BLK	GCP	PLR	M										9	10												15	16	
KEY A, YELLOW	33482-1777	A-YW	GCP	PLR	M																								16	
KEY A, BLACK	33482-1778	A-BLK	GCP	PLR	M							5																	16	
KEY A, BLACK	33482-1779	A-BLK	GCP	PLR	M							5	6	7	8	9	10	11	12										16	
KEY A, BLACK	33482-1780	A-BLK	GCP	PLR	M				3	4	5	6																	16	
KEY A, BLACK	33482-1781	A-BLK	GCP	PLR	M	1			4	5	6	7	8	9	10														16	
KEY A, BLACK	33482-1782	A-BLK	GCP	PLR	M	1			4			6	7	8															16	
KEY A, BLACK	33482-1783	A-BLK	GCP	PLR	M												11	12											16	
KEY A, BLACK	33482-1784	A-BLK	GCP	PLR	M				3																				16	
KEY A, BLACK	33482-1785	A-BLK	GCP	PLR	M	1						5		7															16	
KEY A, BLACK	33482-1786	A-BLK	GCP	PLR	M		2					5		7															16	
KEY A, BLACK	33482-1787	A-BLK	GCP	PLR	M	1	2					5																	16	
KEY A, BLACK	33482-1788	A-BLK	GCP	PLR	M	1	2							7															16	
KEY A, BLACK	33482-1789	A-BLK	GCP	PLR	M	1	2					5																	16	
KEY A, BLACK	33482-1790	A-BLK	GCP	PLR	M	1	2					5		7															16	
KEY A, BLACK	33482-1791	A-BLK	GCP	PLR	M	1	2	3																					16	
KEY A, BLACK	33482-1792	A-BLK	GCP	PLR	M							5		7															16	
KEY A, BLACK	33482-1793	A-BLK	GCP	PLR	M		2	3																					16	
KEY A, BLACK	33482-1794	A-BLK	GCP	PLR	M	1	2	3				5	6																16	
KEY A, BLACK	33482-1795	A-BLK	GCP	PLR	M				3																				16	
KEY A, BLACK	33482-1796	A-BLK	GCP	PLR	M									7															16	
KEY A, BLACK	33482-1797	A-BLK	GCP	PLR	M									7	8														16	

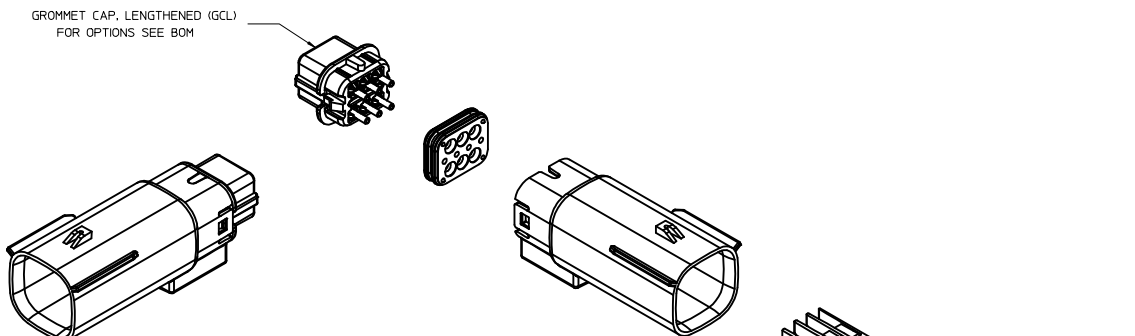
MX150 2X10 BLADE SEALED ASSY MAT SEAL
BOM AND PIN OUT SHEET

ASSEMBLY DESCRIPTION	ASSEMBLY PART NUMBER	COMPONENT				BLOCKED TERMINALS																				STATUS	COMMENTS	OPTIONAL ATTACHMENTS SOLD SEPERATELY						
		THE PRESENCE OF AN ABBREVIATION INDICATES THE PRESENCE OF THAT COMPONENT.				CAVITY WITH A NUMBER INDICATES BLOCKED TERMINAL POSITION CAVITY WITHOUT A NUMBER INDICATES OPEN TERMINAL POSITION																						BACKSHELL WITH RIBS	BACKSHELL WITHOUT RIBS					
		HOUSING KEY/COLOR	GROMMET CAP	PLR	MAT SEAL	1	2	3	4	5	6	7	8	9	10	11	12	13	14	15	16	17	18	19	20									
KEY A, BLACK	33482-2176	A-BLK	GCP	PLR	M-B										10										19	20	SALEABLE							
KEY A, BLACK	33482-2177	A-BLK	GCP	PLR	M-B													13			16				19	20	SALEABLE							
KEY A, BLACK	33482-2178	A-BLK	GCP	PLR	M-B				4										14															
KEY A, BLACK	33482-2179	A-BLK	GCP	PLR	M-B			4	5	6	7	8	9	10				14	15	16	17	18	19	20			SALEABLE							
KEY A, BLACK	33482-2180	A-BLK	GCP	PLR	M-B	1								10	11	12	13	14	15															
KEY A, BLACK	33482-2181	A-BLK	GCP	PLR	M-B	1		3	4					8	9	10	11	13	14					18	19	20								
KEY A, BLACK	33482-2182	A-BLK	GCP	PLR	M-B	1		3	4					8	9	10	11		13	14				18	19	20								
KEY A, BLACK	33482-2183	A-BLK	GCP	PLR	M-B	1								8	9	10	11							19	20									
KEY A, BLACK	33482-2184	A-BLK	GCP	PLR	M-B	1									9		12																	
KEY A, BLACK	33482-2185	A-BLK	GCP	PLR	M-B	1																			19									
KEY A, BLACK	33482-2186	A-BLK	GCP	PLR	M-B		2	3		5									14						19	20								
KEY A, BLACK	33482-2187	A-BLK	GCP	PLR	M-B	1											12	13							19									
KEY A, BLACK	33482-2188	A-BLK	GCP	PLR	M-B	1				5	6	7	8			12	13			15				19										
KEY A, BLACK	33482-2189	A-BLK	GCP	PLR	M-B	1	2	3	4	5	6	7	8	9			12	13	14	15	16			19										
KEY A, BLACK	33482-2190	A-BLK	GCP	PLR	M-B	1	2	3	4	5	6	7	8	9	10	11	12	13	14	15	16			19	20									
KEY A, BLACK	33482-2191	A-BLK	GCP	PLR	M-B	1	2	3	4	5	6			8			13			16				19	20									
KEY A, BLACK	33482-2192	A-BLK	GCP	PLR	M-B		2							8			13			16				19	20									
KEY A, BLACK	33482-2193	A-BLK	GCP	PLR	M-B	1	2	3	4	5	6	7	8	9	10			13		16				19	20									
KEY A, BLACK	33482-2194	A-BLK	GCP	PLR	M-B	1	2	3	4	5	6			8	9	10			13		16			19	20									
KEY A, BLACK	33482-2195	A-BLK	GCP	PLR	M-B		2											13		16				19	20									
KEY B, LIGHT GRAY	33482-2196	B-LG	GCP	PLR	M-B	1	2	3	4	5	6	7	8			11							17	19										
KEY B, LIGHT GRAY	33482-2197	B-LG	GCP	PLR	M-B											11							17	19										
KEY A, BLACK	33482-2198	A-BLK	GCP	PLR	M-B	1	2	3						7						16				19	20									
KEY A, BLACK	33482-2199	A-BLK	GCP	PLR	M-B	1	2	3	4	5				7	8	9			13	14	15	16		19	20									
KEY A, BLACK	33482-2200	A-BLK	GCP	PLR	M-B	1	2	3	4	5							11	12		14			17	18	19	20								
KEY A, BLACK	33482-2201	A-BLK	GCP	PLR	M-B	1	2								9	10	11				15			19	20									
KEY A, BLACK	33482-2202	A-BLK	GCP	PLR	M-B		2	3	4	5				8	9					16				20										
KEY A, BLACK	33482-2203	A-BLK	GCP	PLR	M-B	1	2	3						9										19	20									
KEY A, BLACK	33482-2204	A-BLK	GCP	PLR	M-B				4	5	6									15	16	17	18	19										
KEY B, LIGHT GRAY	33482-2205	B-LG	GCP	PLR	M-B			3	4	5				8	9	10				14				19										
KEY A, BLACK	33482-2206	A-BLK	GCP	PLR	M-B	1	2	3	4	5	6												17	18	19	20								
KEY B, LIGHT GRAY	33482-2207	B-LG	GCP	PLR	M-B				4	5	6				9	10																		
KEY B, LIGHT GRAY	33482-2208	B-LG	GCP	PLR	M-B										9	10	11																	
KEY B, LIGHT GRAY	33482-2209	B-LG	GCP	PLR	M-B				4	5	6	7			10								17	18										
KEY A, BLACK	33482-2210	A-BLK	GCP	PLR	M-B	1								9	10	11	12				16				20									
KEY A, BLACK	33482-2211	A-BLK	GCP	PLR	M-B	1	2							7										18		20								
KEY A, BLACK	33482-2213	A-BLK	GCP	PLR	M-B														13						19	20								
KEY A, BLACK	33482-2214	A-BLK	GCP	PLR	M-B									8							16													
KEY A, BLACK	33482-2215	A-BLK	GCP	PLR	M-B		2																17		19									

TABLE OF CONTENTS	
SHEET NO.	SHEET DESCRIPTION
1	NOTES
2	KEY CONFIGURATIONS
3	BLADE SEALED ASSEMBLY
4	SYSTEM PACKAGING
5	BACKSHELL NOTES
6	BACKSHELL
7	BACKSHELL CONFIGURATIONS
8	BOM



MX150 2X3 BLADE SEALED ASSEMBLY - STANDARD (STD)



MX150 2X3 BLADE SEALED ASSEMBLY - LENGTHENED
UNLESS COMPONENT NOTED, SEE STANDARD ASSEMBLY

NOTES: VALID UNLESS OTHERWISE SPECIFIED

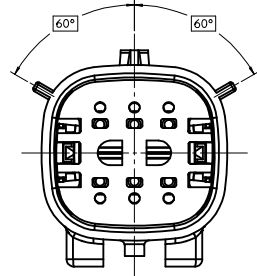
1. GENERAL:
 - a. APPLICATION SPECIFICATION SEE: AS-33472-100
CONTAINS: PRODUCT INTRODUCTION, PRODUCT SUMMARY, CONNECTOR ASSEMBLY, PACKAGING INFORMATION, CONNECTOR MATING, SERVICE INSTRUCTIONS, ELECTRICAL CONTINUITY CHECKING, CRIMPING, AND TROUBLESHOOTING.
-DESIGNED TO MATE WITH RECEPTACLE SEALED ASSEMBLY SPECIFIED IN MOLEX CHARTERED DRAWING SD-33472-061 AND SD-33472-071.
-FOR 15mm BLADE TERMINALS TO BE USED WITH THIS ASSEMBLY SEE MOLEX DRAWING SD-33000-001
- SYSTEM TO BE USED WITH WIRE WITHIN DIAMETER RANGE OF 1.2mm TO 2.69mm.
-ASSEMBLY SHIPPED WITH PLR IN PRE-LOCK POSITION
-IN THE EVENT THAT THE PLR IS FOUND IN THE SEATED (FINAL LOCK) POSITION, REFER TO MOLEX SPECIFICATION PS-34646-001, AVAILABLE AT www.molex.com <http://www.molex.com>
-ASSEMBLY CONFORMS TO SAE/USCAR-2 REV.4 WITH THE FOLLOWING EXCEPTIONS:
TERMINAL INSERTION FORCE FOR WIRE DIAMETER ABOVE 2.5mm NOT EXCEEDING 2.69mm SHALL NOT EXCEED 45 NEWTONS.
 - b. PRODUCT SPECIFICATION SEE: PS-33472-000
CONTAINS: PRODUCT INTRODUCTION, PRODUCT SUMMARY, RATINGS (CURRENT, TEMPERATURE, SEALING, AND FLAMMABILITY), AND PRODUCT VALIDATION.
 - c. PACKAGING SPECIFICATION PER MOLEX DRAWING: PK-31300-435
 - d. PARTS MUST BE IN COMPLIANCE TO MOLEX CHEMICAL SUBSTANCES FOR PRODUCTS AND PACKAGING SPECIFICATION: ES-40000-5016
 - e. DATA MUST BE SUBMITTED UNDER THE MOLEX PART NUMBER TO IMDS (COMPANY ID#13255)
2. DESIGN - MATERIALS:
 - a. SEE BOM TABLE.
3. DESIGN - GEOMETRY:
 - a. THIS IS A 100% CAD GENERATED PART. THE CAD MATHEMATICAL DATA IS THE MASTER FOR THIS PART. FOR DIMENSIONAL OR ANY INFORMATION NOT SHOWN ON THIS DRAWING, ANALYZE THE CAD MODEL.
 - b. GEOMETRIC DIMENSIONS AND TOLERANCES PER ASME Y14.5M - 1994
 - c. EDGES AND UNDIMENSIONED DETAILS PER ISO13715
 - d. CORNERS SHOWN AS SHARP TO BE R 0.2 MAX.
 - e. LETTERING SHALL BE 0.15 MAX RAISED IN 0.25 MAX RECESS PAD. THIS INCLUDES RECYCLING CODE, CAVITY ID, VENDOR IDENTIFICATION, AND CUSTOMER MATERIAL NUMBER.
 - f. VISUAL DEFECTS SHALL MEET COSMETIC STANDARD PS-45499-002 (Class B).
 - g. LASER MARKING: TBD

INSPECTION NUMBER LOG
LAST NUMBER USED: 5
ADDED:
REMOVED: 2

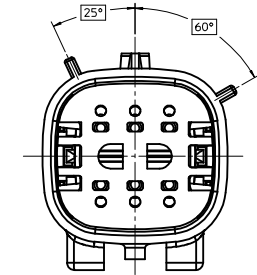
AA6	ADD NEW P/N 33482-0648
AA5	ADD NEW P/N 33482-0646 33482-0647
AA4	ADD NEW P/N 33482-0645
AA3	ADD NEW P/N 33482-0644
AA2	CHANGE PART NUMBER STATUS ADD NEW P/N 33482-0641 33482-0642 33482-0643
REV	DESCRIPTION

REVISED REC NO: UAU2015-0075 DRAWN BY: 2014/07/29 CHYK: APPR: VKOSHY 2014/08/04 REVISION DESCRIPTION AA6	QUALITY SYMBOLS	GENERAL TOLERANCES (UNLESS SPECIFIED)	DIMENSION STYLE	SCALE	DESIGN UNITS	THIRD ANGLE PROJECTION	
	$\nabla=0$ $\nabla=0$ $\nabla=0$	mm INCH 4 PLACES ± --- ± --- 3 PLACES ± --- ± --- 2 PLACES ± 0.10 ± --- 1 PLACE ± 0.3 ± --- 0 PLACE ± ±	MM ONLY	2:1	METRIC		
	DRAWN BY: MDICK DATE: 2011/07/22 CHECKED BY: DATE: 2011/12/19 APPROVED BY: DATE:	TITILE: MX150 2X3 BLADE SEALED ASSEMBLY MAT SEAL molex		DOCUMENT NO. SD-33482-061			SHEET NO. 1 OF 9
	DRAFT WHERE APPLICABLE MUST REMAIN WITHIN DIMENSIONS		MATERIAL NO. SEE BOM		THIS DRAWING CONTAINS INFORMATION THAT IS PROPRIETARY TO MOLEX INCORPORATED AND SHOULD NOT BE USED WITHOUT WRITTEN PERMISSION		

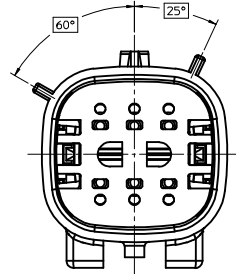
KEY CONFIGURATIONS



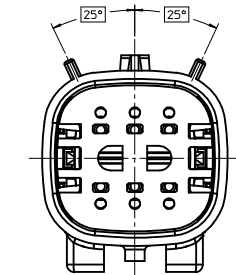
KEY A



KEY B



KEY C



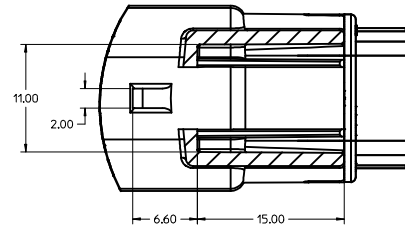
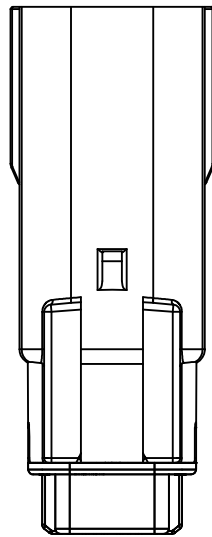
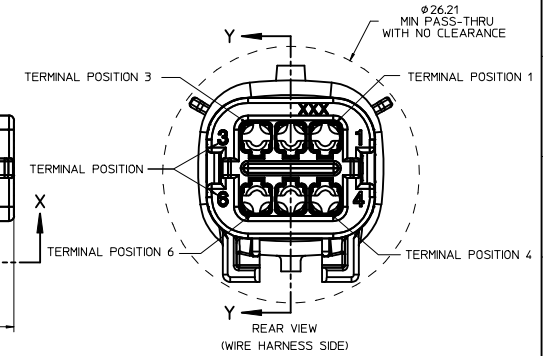
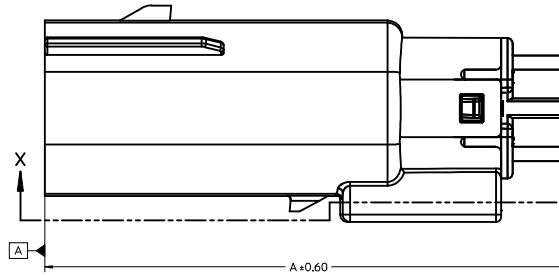
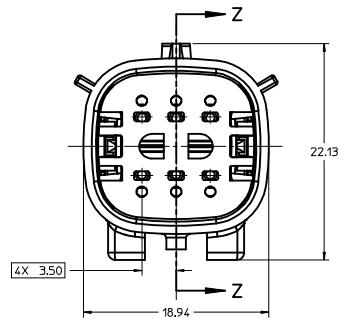
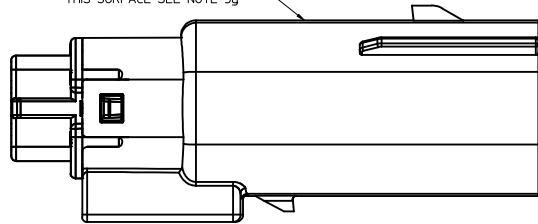
KEY D

REVISED REC NO: UAU2015-0075 DRAWN BY: 2014/07/29 CHYK: APPR: WJOSHY 2014/08/04 AA6	QUALITY SYMBOLS	GENERAL TOLERANCES (UNLESS SPECIFIED)	DIMENSION STYLE	SCALE	DESIGN UNITS	THIRD ANGLE PROJECTION
	▽=0	mm INCH	MM ONLY	4:1	METRIC	☉
	▽=0	4 PLACES ± --- ± ---	DRAWN BY DATE			
	▽=0	3 PLACES ± --- ± ---	MDICK 2011/07/22	CHECKED BY DATE		
		ANGULAR ± 3 °	MATERIAL NO.			
		DRAFT WHERE APPLICABLE MUST REMAIN WITHIN DIMENSIONS	SEE BOM			
			SIZE D	THIS DRAWING CONTAINS INFORMATION THAT IS PROPRIETARY TO MOLEX INCORPORATED AND SHOULD NOT BE USED WITHOUT WRITTEN PERMISSION		

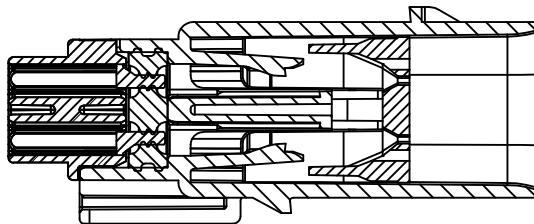
TITLE: MX150 2X3 BLADE SEALED ASSEMBLY MAT SEAL
molex
 DOCUMENT NO. SD-33482-061
 SHEET NO. 2 OF 9

BLADE SEALED ASSEMBLY

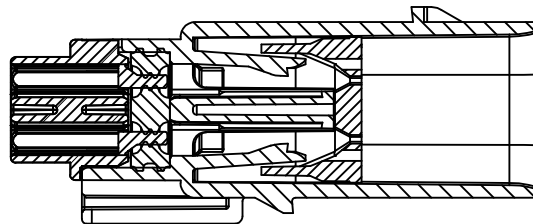
OPTIONAL LASER MARKING ON THIS SURFACE SEE NOTE 3g



Partial X-X
SCALE 4:1



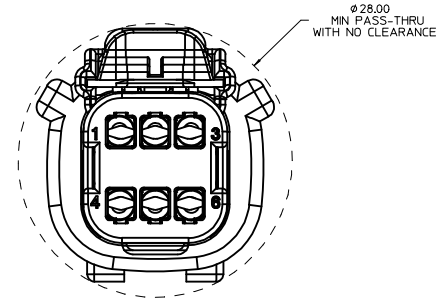
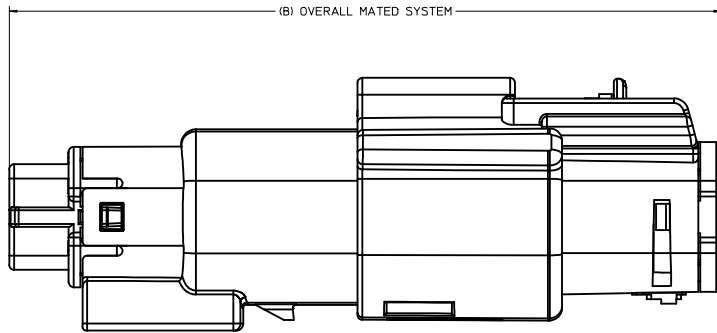
PRIMARY LOCK REINFORCEMENT (PLR) SHOWN
IN PRE-STAGED POSITION
SECTION Z-Z



PRIMARY LOCK REINFORCEMENT (PLR) SHOWN
IN FINAL-LOCK POSITION
SECTION Y-Y

CHARTED DIMENSIONS	
CONFIGURATION	A
MX150 2X3 BLADE SEALED ASSEMBLY - STANDARD	53.85
MX150 2X3 BLADE SEALED ASSEMBLY - LENGTHENED	55.85

REVISED ELEC NO. UAU2015-0075 DRAWN BY CHYK APPR: WOSHY 2014/07/29 2014/08/04 AA6	QUALITY SYMBOLS	GENERAL TOLERANCES (UNLESS SPECIFIED)	DIMENSION STYLE	SCALE	DESIGN UNITS	THIRD ANGLE PROJECTION	
	∇=0 ∇=0 ∇=0	mm INCH 4 PLACES ± ± 3 PLACES ± ± 2 PLACES ±0.10 ± 1 PLACE ±0.3 ± 0 PLACE ± ±	MM ONLY	4:1	METRIC	DRAWN BY DATE MDICK 2011/07/22 CHECKED BY DATE MDICK 2011/12/19 APPROVED BY DATE	MX150 2X3 BLADE SEALED ASSEMBLY MAT SEAL molex
	ANGULAR ± 3 ° DRAFT WHERE APPLICABLE MUST REMAIN WITHIN DIMENSIONS	MATERIAL NO.	DOCUMENT NO.	SHEET NO.			
	SEE BOM	SD-33482-061	3 OF 9				



CHARTED DIMENSIONS	
CONFIGURATION	B
MX150 2X3 BLADE SEALED ASSEMBLY - STANDARD	72.78
MX150 2X3 BLADE SEALED ASSEMBLY - LENGTHENED	74.79

CHARTED DIMENSIONS	
CONFIGURATION	C
MX150 2X3 RECEPTACLE SEALED ASSEMBLY WITHOUT CLIPSLLOT	30.50
MX150 2X3 RECEPTACLE SEALED ASSEMBLY WITH CLIPSLLOT	28.00

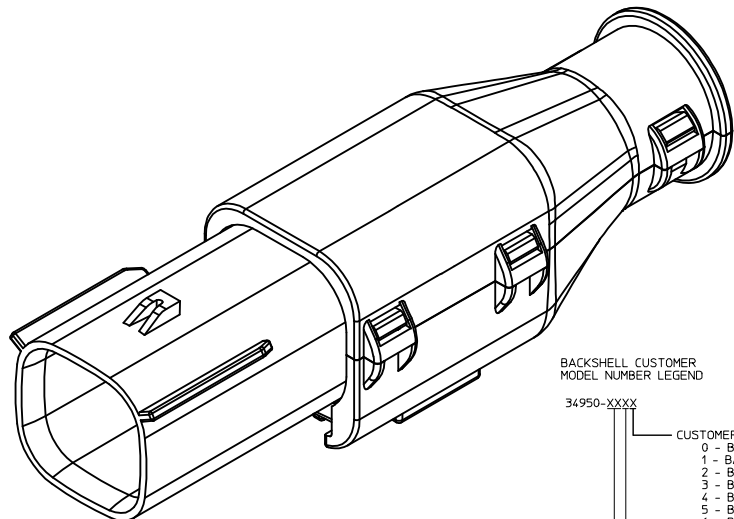
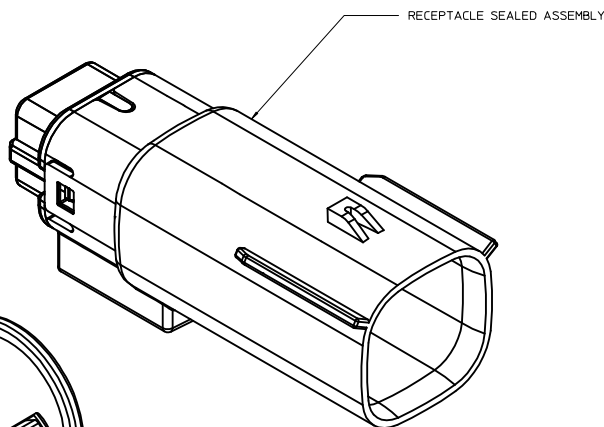
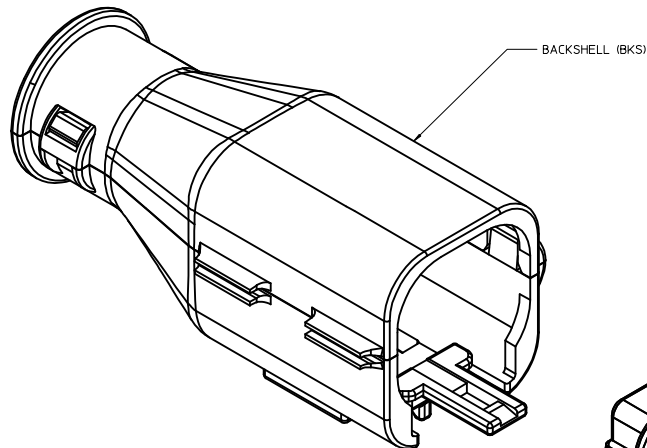
REVISED REC NO: UAU2015-0075 DRAWN BY: CHYKJ APPR: WKSHY AA6	2014/07/29 2014/08/04 DESCRIPTION	QUALITY SYMBOLS	GENERAL TOLERANCES (UNLESS SPECIFIED)	DIMENSION STYLE	SCALE	DESIGN UNITS	THIRD ANGLE PROJECTION
		∇=0 ∇=0 ∇=0	mm INCH 4 PLACES ± --- ± --- 3 PLACES ± --- ± --- 2 PLACES ± 0.10 ± --- 1 PLACE ± 0.3 ± --- 0 PLACE ± ±	MM ONLY DRAWN BY: MDICK DATE: 2011/07/22 CHECKED BY: MDICK DATE: 2011/12/19 APPROVED BY:	4:1 TITLE:	METRIC MX150 2X3 BLADE SEALED ASSEMBLY MAT SEAL	
		ANGULAR ± 3 ° DRAFT WHERE APPLICABLE MUST REMAIN WITHIN DIMENSIONS	MATERIAL NO: SEE BOM SIZE: D	DOCUMENT NO: SD-33482-061 SHEET NO: 4 OF 9	molex		
		THIS DRAWING CONTAINS INFORMATION THAT IS PROPRIETARY TO MOLEX INCORPORATED AND SHOULD NOT BE USED WITHOUT WRITTEN PERMISSION					

BACKSHELL NOTES

BACKSHELL NOTES: VALID UNLESS OTHERWISE SPECIFIED

1. GENERAL:

- a. APPLICATION SPECIFICATION SEE: AS-34951-001
- DESIGNED TO MATE WITH BLADE SEALED ASSEMBLY SPECIFIED IN MOLEX DRAWING SD-33482-061.
- SYSTEM TO BE USED WITH WIRE WITHIN DIAMETER RANGE OF 1.2mm TO 2.69mm.
- COMPONENTS ARE OPTIONAL AND MUST BE PURCHASED SEPARATELY
- BACKSHELL DESIGN IS OWNED BY SCHLEMMER
- FOR ADDITIONAL INFORMATION SEE THE BACKSHELL COMPONENT DRAWING SD-34950-0001.



BACKSHELL CUSTOMER MODEL NUMBER LEGEND

34950-XXXX

CUSTOMER MODEL COMPONENTS

- 0 - BACKSHELL ONLY
- 1 - BACKSHELL & MX150 HOUSING KEY A ASSEMBLY
- 2 - BACKSHELL & MX150 HOUSING KEY B ASSEMBLY
- 3 - BACKSHELL & MX150 HOUSING KEY C ASSEMBLY
- 4 - BACKSHELL & MX150 HOUSING KEY D ASSEMBLY
- 5 - BACKSHELL & MX150 2X3 LENGTHENED HOUSING KEY A ASSEMBLY
- 6 - BACKSHELL & MX150 2X3 LENGTHENED HOUSING KEY B ASSEMBLY
- 7 - BACKSHELL & MX150 2X3 LENGTHENED HOUSING KEY C ASSEMBLY
- 8 - BACKSHELL & MX150 2X3 LENGTHENED HOUSING KEY D ASSEMBLY

BACKSHELL FEATURES

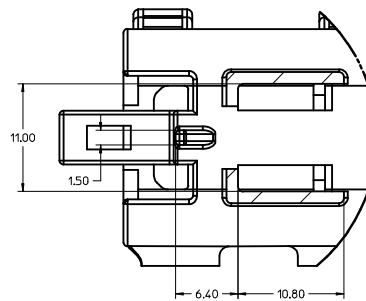
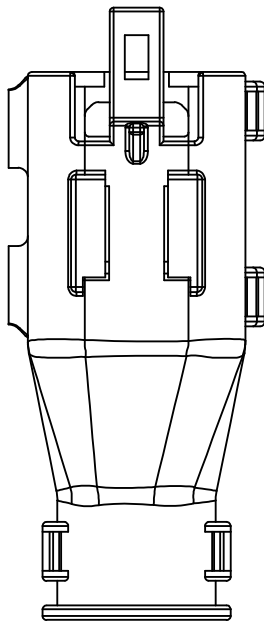
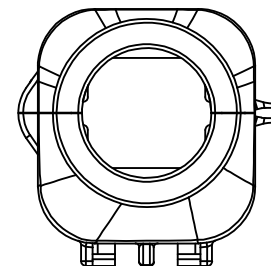
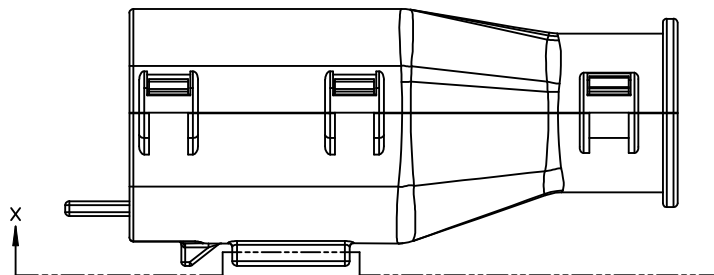
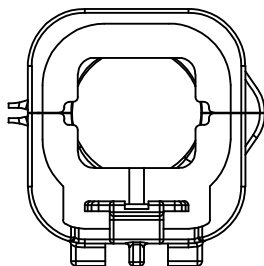
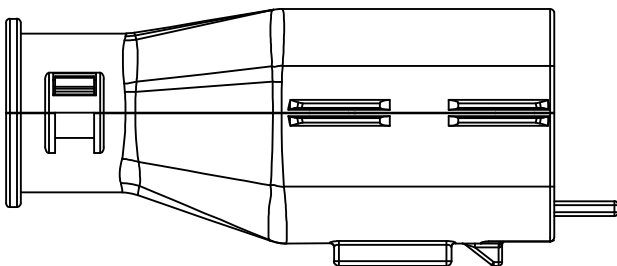
- 1 - WITH RIBS
- 2 - WITHOUT RIBS

MX150 CIRCUIT SIZE 04, 06, 08, 12, 16, 20

REVISED ECC NO. UAU2015-0075 DRAWN BY CHKD: APP:VKOSHY 2014/07/29 2014/08/04	QUALITY SYMBOLS ▽=0 ▽=0 ▽=0	GENERAL TOLERANCES (UNLESS SPECIFIED)		DIMENSION STYLE MM ONLY	SCALE 4:1	DESIGN UNITS METRIC	THIRD ANGLE PROJECTION
		4 PLACES ± mm	± INCH	DRAWN BY MDICK	DATE 2011/07/22	TITLE MX150 2X3 BLADE SEALED ASSEMBLY MAT SEAL	
		3 PLACES ± 0.10	± 0.00	CHECKED BY MDICK	DATE 2011/12/19		
		1 PLACE ± 0.3	± 0.00	APPROVED BY	DATE		
		0 PLACE ±	±	MATERIAL NO. SEE BOM	DOCUMENT NO. SD-33482-061		SHEET NO. 5 OF 9
		ANGULAR ± 3 °		THIS DRAWING CONTAINS INFORMATION THAT IS PROPRIETARY TO MOLEX INCORPORATED AND SHOULD NOT BE USED WITHOUT WRITTEN PERMISSION			
		DRAFT WHERE APPLICABLE MUST REMAIN WITHIN DIMENSIONS					

20 19 18 17 16 15 14 13 12 11 10 9 8 7 6 5 4 3 2 1

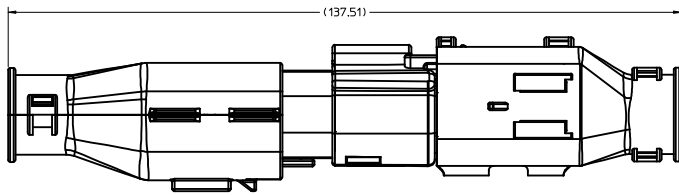
BACKSHELL
THE VIEWS ON THIS SHEET ARE
IN THE CLOSED UN-ASSEMBLED POSITION



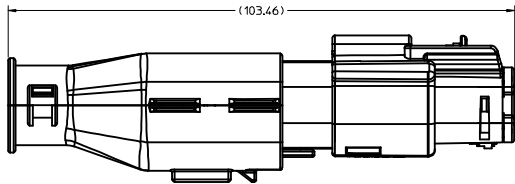
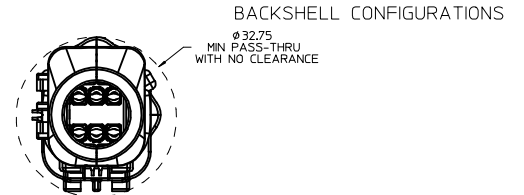
Partial X-X
SCALE 4:1

REVISED REC NO: UAU2015-0075 DRAWN BY: CHYK CHKD: APPR: WOSHY 2014/07/29 2014/08/04 AA6	QUALITY SYMBOLS ∇=0 ∇=0 ∇=0	GENERAL TOLERANCES (UNLESS SPECIFIED) mm INCH 4 PLACES ± --- ± --- 3 PLACES ± 0.10 ± --- 2 PLACES ± 0.3 ± --- 1 PLACE ± --- ± --- 0 PLACE ± --- ± --- ANGULAR ± 3 ° DRAFT WHERE APPLICABLE MUST REMAIN WITHIN DIMENSIONS	DIMENSION STYLE MM ONLY DRAWN BY: MDICK DATE: 2011/07/22 CHECKED BY: MDICK DATE: 2011/12/19 APPROVED BY:	SCALE 4:1 DESIGN UNITS METRIC THIRD ANGLE PROJECTION	TITLE MX150 2X3 BLADE SEALED ASSEMBLY MAT SEAL molex	MATERIAL NO. SEE BOM	DOCUMENT NO. SD-33482-061	SHEET NO. 6 OF 9
	THIS DRAWING CONTAINS INFORMATION THAT IS PROPRIETARY TO MOLEX INCORPORATED AND SHOULD NOT BE USED WITHOUT WRITTEN PERMISSION							

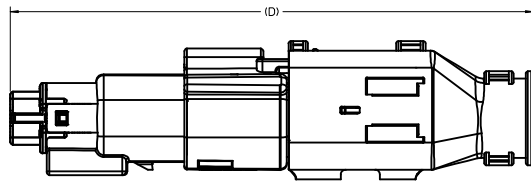
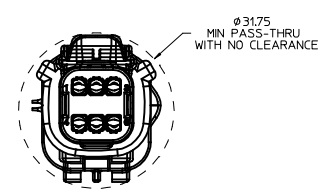
19 18 17 16 15 14 13 12 11 10 9 8 7 6 5 4 3 2 1



OVERALL MATED SYSTEM WITH BLADE AND RECEPTACLE BACKSHELL

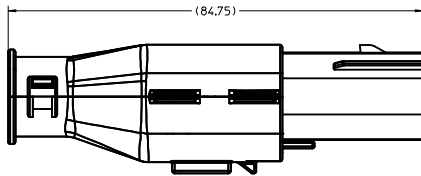
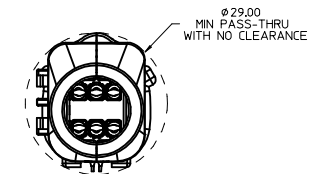


OVERALL MATED SYSTEM WITH BLADE BACKSHELL

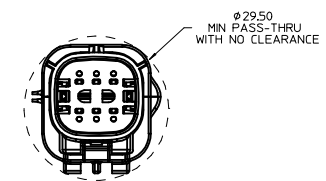


OVERALL MATED SYSTEM WITH RECEPTACLE BACKSHELL

CHARTED DIMENSIONS	
CONFIGURATION	D
MX150 2X3 BLADE SEALED ASSEMBLY - STANDARD	106.83
MX150 2X3 BLADE SEALED ASSEMBLY - LENGTHENED	108.71



BLADE SEALED ASSEMBLY WITH BLADE BACKSHELL



REVISED REC NO: UAU2015-0075 DRAWN BY: 2014/07/29 CHKD: 2014/08/04 APPR: WKSHY DESCRIPTION:	QUALITY SYMBOLS $\nabla=0$ $\nabla=0$ $\nabla=0$		GENERAL TOLERANCES (UNLESS SPECIFIED) <table border="1"> <thead> <tr> <th></th> <th>mm</th> <th>INCH</th> </tr> </thead> <tbody> <tr> <td>4 PLACES</td> <td>$\pm .005$</td> <td>$\pm .0005$</td> </tr> <tr> <td>3 PLACES</td> <td>$\pm .008$</td> <td>$\pm .0008$</td> </tr> <tr> <td>2 PLACES</td> <td>± 0.10</td> <td>$\pm .004$</td> </tr> <tr> <td>1 PLACE</td> <td>± 0.3</td> <td>$\pm .012$</td> </tr> <tr> <td>0 PLACE</td> <td>$\pm .0$</td> <td>$\pm .0$</td> </tr> </tbody> </table>			mm	INCH	4 PLACES	$\pm .005$	$\pm .0005$	3 PLACES	$\pm .008$	$\pm .0008$	2 PLACES	± 0.10	$\pm .004$	1 PLACE	± 0.3	$\pm .012$	0 PLACE	$\pm .0$	$\pm .0$	DIMENSION STYLE MM ONLY		SCALE 2:1		DESIGN UNITS METRIC		THIRD ANGLE PROJECTION	
		mm	INCH																											
	4 PLACES	$\pm .005$	$\pm .0005$																											
	3 PLACES	$\pm .008$	$\pm .0008$																											
2 PLACES	± 0.10	$\pm .004$																												
1 PLACE	± 0.3	$\pm .012$																												
0 PLACE	$\pm .0$	$\pm .0$																												
DRAFT WHERE APPLICABLE MUST REMAIN WITHIN DIMENSIONS			MATERIAL NO. SEE BOM		DOCUMENT NO. SD-33482-061		SHEET NO. 7 OF 9		molex MX150 2X3 BLADE SEALED ASSEMBLY MAT SEAL																					
SIZE D			THIS DRAWING CONTAINS INFORMATION THAT IS PROPRIETARY TO MOLEX INCORPORATED AND SHOULD NOT BE USED WITHOUT WRITTEN PERMISSION																											

ASSEMBLY DESCRIPTION	ASSEMBLY PART NUMBER	A	B	C	D	C	D	GC	GCL	1	2	3	4	5	6	STATUS	COMMENTS	BACKSHELL WITH RIBS	BACKSHELL WITHOUT RIBS	
KEY D, STONE GRAY	33482-0643							D	GC				3	4		SALEABLE		34950-0610	34950-0620	
KEY C, DARK GRAY	33482-0642							C	GC				3	4		SALEABLE		34950-0610	34950-0620	
KEY D, STONE GRAY	33482-0641							D	GC				3			SALEABLE		34950-0610	34950-0620	
KEY A, BLACK	33482-0640	A							GC				3	4		SALEABLE		34950-0610	34950-0620	
KEY A W/ LENGTHENED CAP, BLACK	33482-0639	A							GCL	1	2	3	4	5	6	SALEABLE		34950-0610	34950-0620	
KEY C, DARK GRAY	33482-0638							C	GC				3			SALEABLE		34950-0610	34950-0620	
KEY A, BLACK	33482-0637	A							GC			2		6		SALEABLE		34950-0610	34950-0620	
KEY A W/ LENGTHENED CAP, BLACK	33482-0636	A							GCL				3			SALEABLE		34950-0610	34950-0620	
KEY C W/ LENGTHENED CAP, DARK GRAY	33482-0635							C	GC				3			SALEABLE		34950-0610	34950-0620	
KEY D W/ LENGTHENED CAP, STONE GRAY	33482-0634							D	GC							TOOLED BUT NOT VALIDATED		34950-0610	34950-0620	
KEY C W/ LENGTHENED CAP, DARK GRAY	33482-0633							C	GC							SALEABLE		34950-0610	34950-0620	
KEY B W/ LENGTHENED CAP, LIGHT GRAY	33482-0632								GCL							TOOLED BUT NOT VALIDATED		34950-0610	34950-0620	
KEY A W/ LENGTHENED CAP, BLACK	33482-0631	A							GCL							SALEABLE		34950-0610	34950-0620	
KEY A, BLACK	33482-0630	A							GC				3		6	SALEABLE		34950-0610	34950-0620	
KEY D, STONE GRAY	33482-0629							D	GC							TOOLED BUT NOT VALIDATED		34950-0610	34950-0620	
KEY C, DARK GRAY	33482-0628							C	GC							SALEABLE		34950-0610	34950-0620	
KEY A, BLACK	33482-0627	A							GC			2	3		5	6	SALEABLE		34950-0610	34950-0620
KEY A, BLACK	33482-0626	A							GC	1	2	3	4			SALEABLE		34950-0610	34950-0620	
KEY B, LIGHT GRAY	33482-0625							B	GC	1				5		TOOLED BUT NOT VALIDATED		34950-0610	34950-0620	
KEY A, BLACK	33482-0624	A							GC					6		SALEABLE		34950-0610	34950-0620	
KEY A, BLACK	33482-0623	A							GC					5		SALEABLE		34950-0610	34950-0620	
KEY A, BLACK	33482-0622	A							GC				4	5	6	SALEABLE		34950-0610	34950-0620	
KEY A, BLACK	33482-0621	A							GC	1			4	5		SALEABLE		34950-0610	34950-0620	
KEY A, BLACK	33482-0620	A							GC	1	2	3	4	5	6	SALEABLE		34950-0610	34950-0620	
KEY A, BLACK	33482-0619	A							GC		2	3	4	5		SALEABLE		34950-0610	34950-0620	
KEY A, BLACK	33482-0618	A							GC					5	6	SALEABLE		34950-0610	34950-0620	
KEY A, BLACK	33482-0617	A							GC		2					SALEABLE		34950-0610	34950-0620	
KEY A, BLACK	33482-0616	A							GC				3			SAME AS P/N 33482-0606		34950-0610	34950-0620	
VOID KEY	33482-0615																			
KEY D, GREEN	33482-0614							D	GC				3	4		NOT RECOMMENDED, SEE 33482-0643		34950-0610	34950-0620	
KEY C, BROWN	33482-0613							C	GC				3	4		NOT RECOMMENDED, SEE 33482-0642		34950-0610	34950-0620	
KEY B, LIGHT GRAY	33482-0612							B	GC				3	4		SALEABLE		34950-0610	34950-0620	
KEY A, BLACK	33482-0611	A							GC				3	4		SALEABLE		34950-0610	34950-0620	
VOID KEY	33482-0610																			
KEY D, GREEN	33482-0609							D	GC				3			NOT RECOMMENDED, SEE 33482-0641		34950-0610	34950-0620	
KEY C, BROWN	33482-0608							C	GC				3			NOT RECOMMENDED, SEE 33482-0638		34950-0610	34950-0620	
KEY B, LIGHT GRAY	33482-0607							B	GC				3			SALEABLE		34950-0610	34950-0620	
KEY A, BLACK	33482-0606	A							GC				3			SALEABLE		34950-0610	34950-0620	
VOID KEY	33482-0605																			
KEY D, GREEN	33482-0604							D	GC							NOT RECOMMENDED, SEE 33482-0629		34950-0610	34950-0620	
KEY C, BROWN	33482-0603							C	GC							NOT RECOMMENDED, SEE 33482-0628		34950-0610	34950-0620	
KEY B, LIGHT GRAY	33482-0602							B	GC							SALEABLE		34950-0610	34950-0620	
KEY A, BLACK	33482-0601	A							GC							SALEABLE		34950-0610	34950-0620	
		A	B	C	D	C	D	GC	GCL	1	2	3	4	5	6			BACKSHELL WITH RIBS	BACKSHELL WITHOUT RIBS	

DESCRIPTION	COLOR	MATERIAL
STANDARD PLR	NATURAL	SPS/NYLON GF20
MAT SEAL	BURNT ORANGE	INHERENTLY LUBRICATED SILICONE
GROMMET CAP, LENGTHENED	BLACK	SPS/NYLON GF20
GROMMET CAP, STANDARD	BLACK	SPS/NYLON GF20
HOUSING KEYING OPTION D	STONE GRAY	SPS/NYLON GF20
HOUSING KEYING OPTION C	DARK GRAY	SPS/NYLON GF20
HOUSING KEYING OPTION D	GREEN	SPS/NYLON GF20
HOUSING KEYING OPTION C	BROWN	SPS/NYLON GF20
HOUSING KEYING OPTION B	LIGHT GRAY	SPS/NYLON GF20
HOUSING KEYING OPTION A	BLACK	SPS/NYLON GF20

ABREVIATION	COMPONENT
A	HOUSING KEY A
B	HOUSING KEY B
C	HOUSING KEY C
D	HOUSING KEY D
GC	GROMMET CAP, STANDARD
GCL	GROMMET CAP, LENGTHENED
M	MAT SEAL
P	PLR, STANDARD
BKS	BACKSHELL

REVISED ELEC NO. UAU2015-0075 DRAWN BY CHKD APPR: VKOSHY 2014/07/29 2014/08/04 AA6	QUALITY SYMBOLS ∇=0 ∇=0 ∇=0	GENERAL TOLERANCES (UNLESS SPECIFIED) mm INCH 4 PLACES ± .010 ± .0005 3 PLACES ± .015 ± .0007 2 PLACES ± 0.10 ± .0043 1 PLACE ± 0.3 ± .0118 0 PLACE ± ±	DIMENSION STYLE MM ONLY DRAWN BY DATE MDICK 2011/07/22 CHECKED BY DATE MDICK 2011/12/19 APPROVED BY DATE	SCALE DESIGN UNITS METRIC THIRD ANGLE PROJECTION	TITLE MX150 2X3 BLADE SEALED ASSEMBLY MAT SEAL	MATERIAL NO. SEE BOM	DOCUMENT NO. SD-33482-061	SHEET NO. 8 OF 9
		DRAFT WHERE APPLICABLE MUST REMAIN WITHIN DIMENSIONS		THIS DRAWING CONTAINS INFORMATION THAT IS PROPRIETARY TO MOLEX INCORPORATED AND SHOULD NOT BE USED WITHOUT WRITTEN PERMISSION		moxle		SD-33482-061

