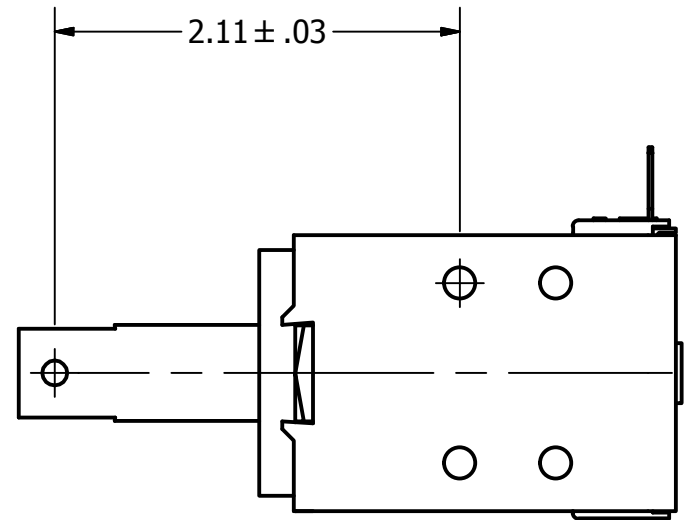
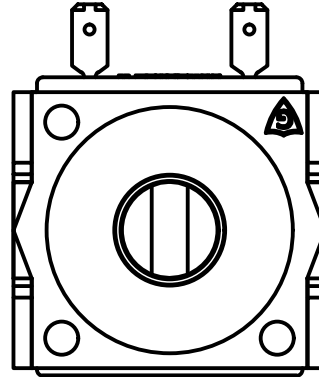
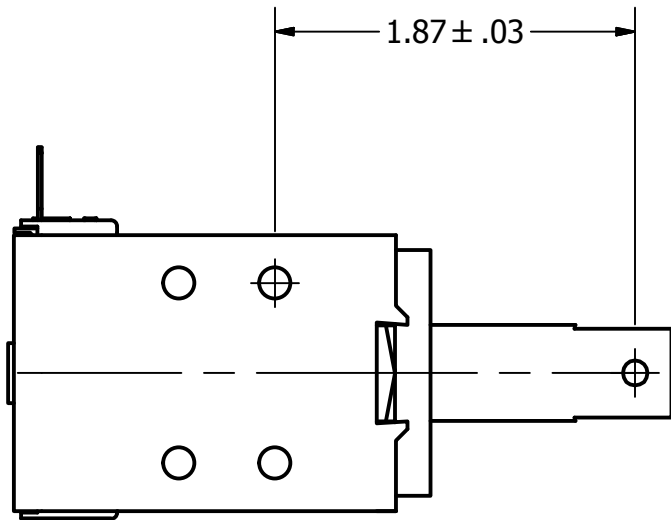


MODEL 4HD



UNLESS OTHERWISE SPECIFIED	APPROVALS	DATE
REFER TO ANSI T14.5M FOR INTERPRETATION OF SYMBOLS	DRAFTED BY	
MILLIMETERS TOLERANCE .X = ±.25 ANGLE = ±½° .XX = ±.12 HOLES = ±.002	CHECKED BY	
INCHES TOLERANCE .X = ±.015 ANGLE = ±½° .XX = ±.010 HOLES = ±.002 .XXX = ±.005	PROJECT ENGINEER	
THIRD ANGLE PROJECTION	APPROVED BY	
THIRD ANGLE PROJECTION		

GUARDIAN ELECTRIC MANUFACTURING COMPANY WOODSTOCK ILLINOIS		
MODEL 4HD		
SIZE	CAGE CODE	DRAWING NUMBER
A	73949	A420-065433-00
SCALE	WIEGHT	SHEET
1 : 1	N/A	1 OF 1