

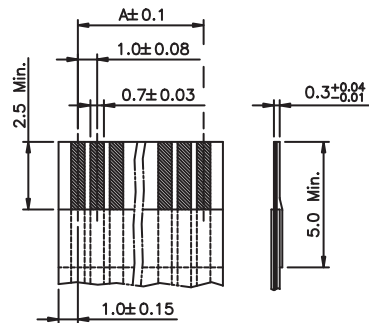
1

2

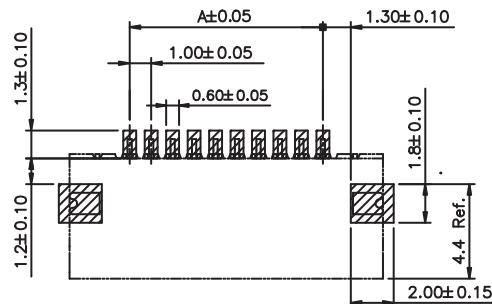
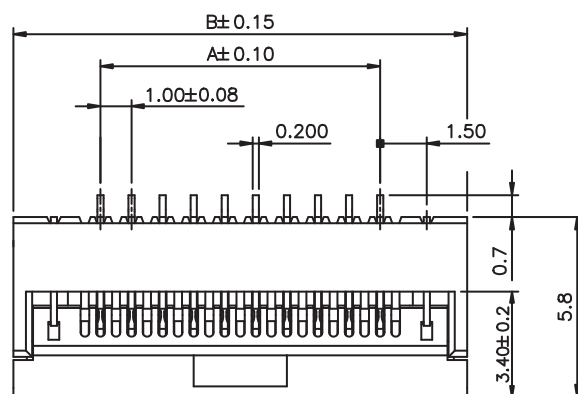
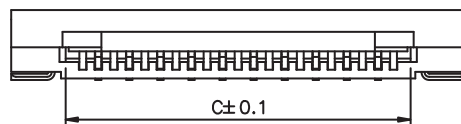
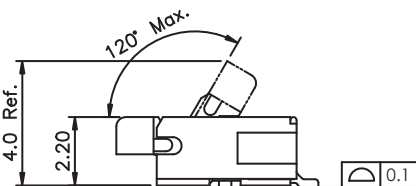
3

4

5



ACCOMODATED FFC/FPC

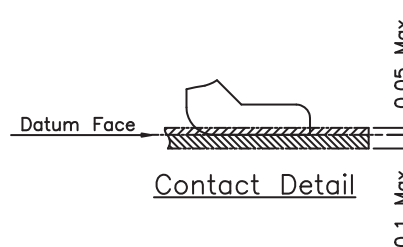


PCB LAYOUT - COMPONENT VIEW

DIM.A = 1.00 x No. of Spaces

DIM.B = DIM.A + 5.6

DIM.C = DIM.A + 2.1



TECHNICAL CHARACTERISTICS

MATERIAL  
 INSULATOR: PA 6T  
 FLAMABILITY RATING: UL94-V0  
 COLOUR: IVORY  
 ACTUATOR: PA 6T  
 COLOUR: BLACK  
 CONTACT MATERIAL: PHOSPHOR BRONZE  
 CONTACT PLATING: 120µ" TIN OVER 50µ" NICKEL  
 QUALITY CLASS: 20 MATING CYLCES  
 PITCH: 1.00mm

ENVIRONMENTAL  
 OPERATING TEMPERATURE: -40°C UP TO +105°C  
 COMPLIANCE: LEAD FREE AND ROHS

ELECTRICAL  
 CURRENT RATING: 1.0A  
 WORKING VOLTAGE: 100V AC/DC  
 INSULATION RESISTANCE: >500 MΩ  
 WITHSTANDING VOLTAGE: 500 VAC/min  
 CONTACT RESISTANCE: 50 mΩ max

STANDARD  
 CERTIFIED: E323964

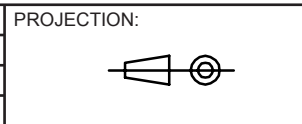
SOLDERING  
 JEDEC LEAD FREE REFLOW SOLDERING PROCESS

PACKAGING  
 TAPE & REEL

AVAILABLE IN  
 4 -6-8-10-12-14-15-16-18-20-22-24-26-28-30

RoHS Compliant

G			
F			
E			
D			
C			
B			
A	20-OCT-14	PDF	AS
REV	DATE	FILE	BY



APPROVAL: GM

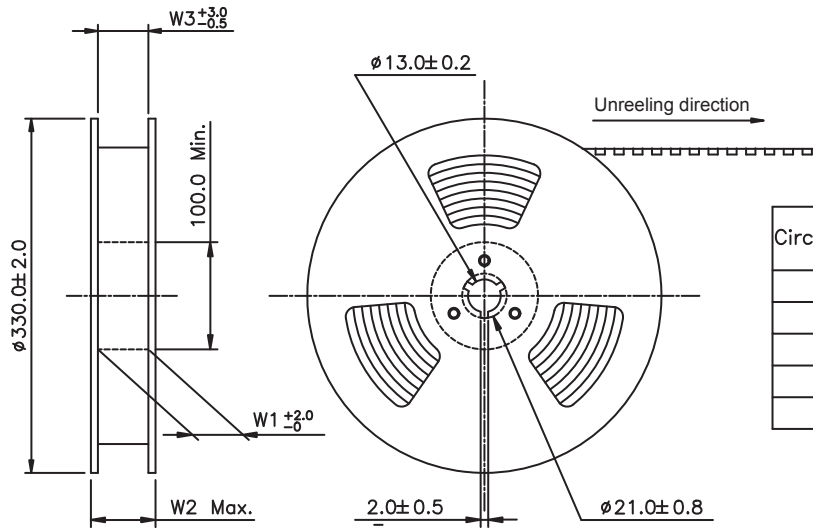
GENERAL TOLERANCE  
 .X = +/- 0.15  
 .XX = +/- 0.10

UNIT: MM  
 SCALE:  
 SHEET: 1/3  
 DRAW: AS



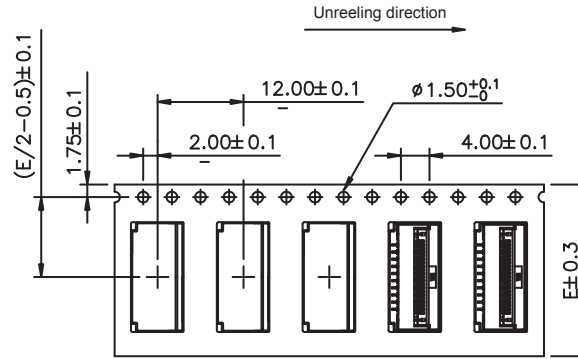
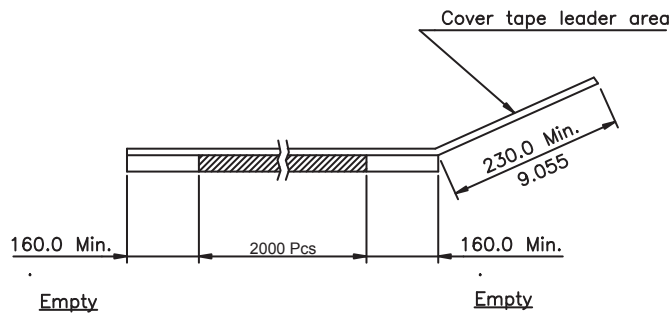
DESCRIPTION: WR-FPC -SMT ZIF HORIZONTAL - BOTTOM CONTACT, 1.00MM HINGE TYPE  
 WERI PART NO: 686 1xx 148 922

SIZE  
**A4**

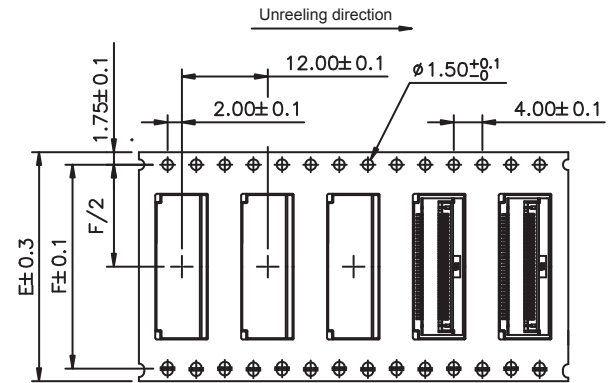


2000 Pcs/Reel

Circuits(1.0mm Pitch)	Dimension					Packing (Reel/Caton)
	E	F	W1	W2	W3	
4	16.0	—	16.5	22.5	16.5	11
5-12	24.0	—	24.5	30.5	24.5	9
13-16	32.0	28.40	32.5	38.5	32.5	7
17-28	44.0	40.40	44.5	50.5	44.5	5
29-32	56.0	52.50	56.5	62.5	56.5	4

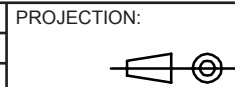


WIDTH : 16,24 mm Carrier



WIDTH : 32,44,56 mm Carrier

RoHS Compliant			
G			
F			
E			
D			
C			
B			
A	24-JUL-14	PDF	AS
REV	DATE	FILE	BY



APPROVAL: GM

GENERAL TOLERANCE

.X = +/- 0.15

.XX = +/- 0.10



DESCRIPTION: WR-PHD SMT ZIF HORIZONTAL - BOTTOM CONTACT, 1.00MM HINGE TYPE

WERI PART NO: 686 1xx 148 922

SIZE

**A4**

1

2

3

4

5

## Cautions and Warnings:

This electronic component is designed and developed with the intention for use in general electronics equipments.

Before incorporating the components into any equipments in the field such as aerospace, aviation, nuclear control, submarine, transportation, (automotive control, train control, ship control), transportation signal, disaster prevention, medical, public information network etc. where higher safety and reliability are especially required or if there is possibility of direct damage or injury to human body, Würth Elektronik must be asked for a written approval.

In addition, even electronic component in general electronic equipments, when used in electrical circuits that require high safety, reliability functions or performance, the sufficient reliability evaluation-check for the safety must be performed before by the user before usage.

A

B

C

RoHS Compliant

G				PROJECTION: 	GENERAL TOLERANCE .X = +/- 0.2 .XX = +/- 0.15		
F							
E							
D							
C				APPROVAL: JC	UNIT: MM	DESCRIPTION: DISCLAIMER	SIZE <b>A4</b>
B					SCALE:		
A	10-SEP-14	PDF	QL		SHEET: 3/3	WERI PART NO: DISCLAIMER	
REV	DATE	FILE	BY		DRAW: QL		

D