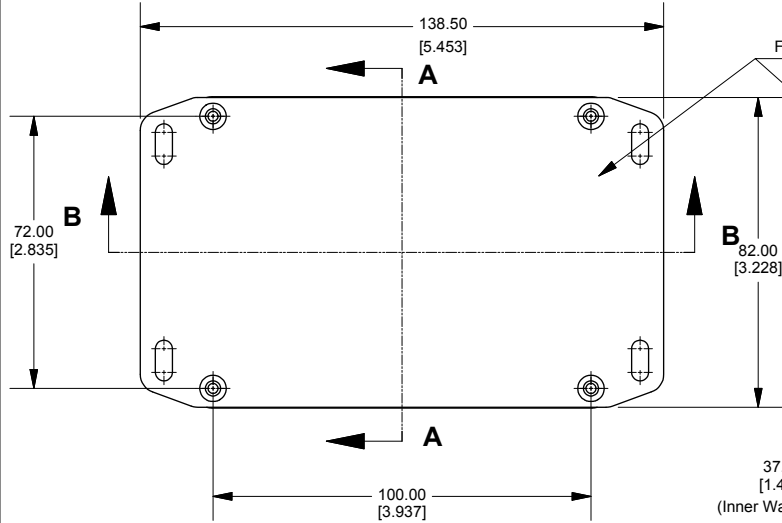
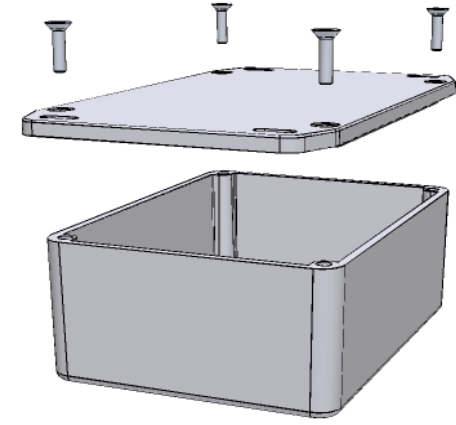
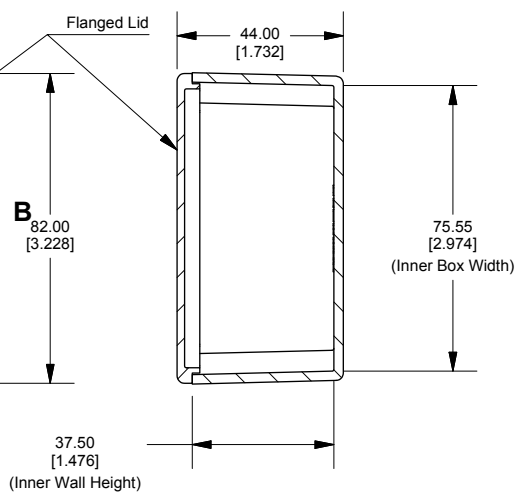


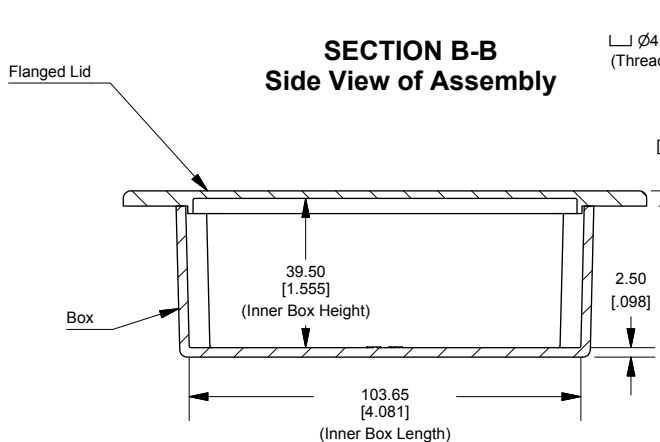
Top View of Assembly



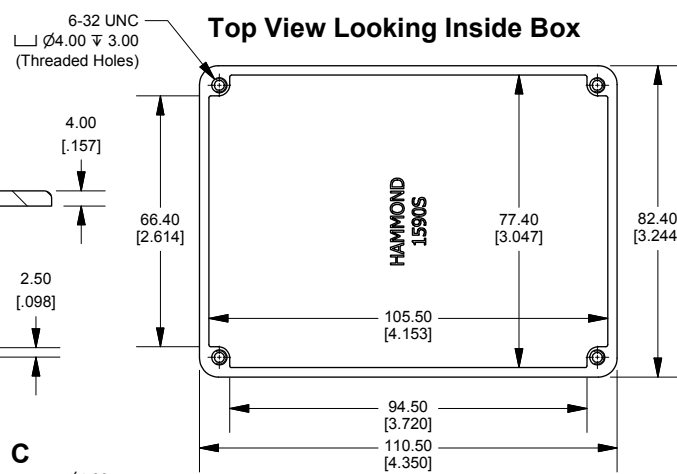
SECTION A-A End View of Assembly



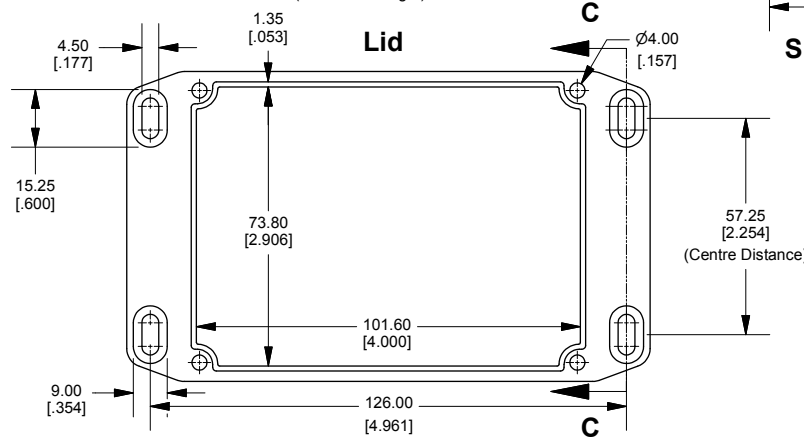
SECTION B-B Side View of Assembly



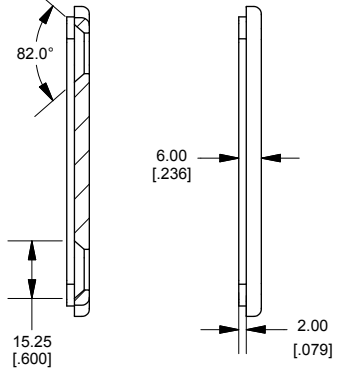
Top View Looking Inside Box



Lid



SECTION C-C



Enclosures can be Factory Modified (Milling, Drilling, Printing etc.)
 Contact Factory mjm@hammondmfg.com for quotes
 Solid models of this enclosure available in STEP or IGES.

NOTE

Purchased assembly includes box, lid and 4 cover screws.
 Box and lid are made from Diecast Aluminum Alloy.
 Silicone Gasket supplied with liquid resistant enclosure.

PART NUMBERS

1590SFL Enclosure	
Natural Finish Enclosure	1590SFL
Black Textured Enclosure	1590SFLBK
1590SFL Liquid Resistant Enclosure (Silicone Gasket)	
Natural Finish Enclosure	1590WSFL
Black Textured Enclosure	1590WSFLBK

ACCESSORIES

Recommended Torque: 75 ozf.in / 55 cN.m

Liquid Resistant Cover Screws

Stainless Steel Cover Screws (Pkg 100) [6-32 x 1/2" With O-Ring]	1590WMS100
Black Stainless Steel Cover Screws (Pkg 100) [6-32 x 1/2" With O-Ring]	1590WMS100BK

Standard Cover Screws

Plated Cover Screws (Pkg 100) [6-32 x 1/2"]	1590MS100
Black Cover Screws (Pkg 100) [6-32 x 1/2"]	1590MS100BK

**HAMMOND
MANUFACTURING™**

1590SFL

www.hammondmfg.com

Dimensions:
mm
[inches]