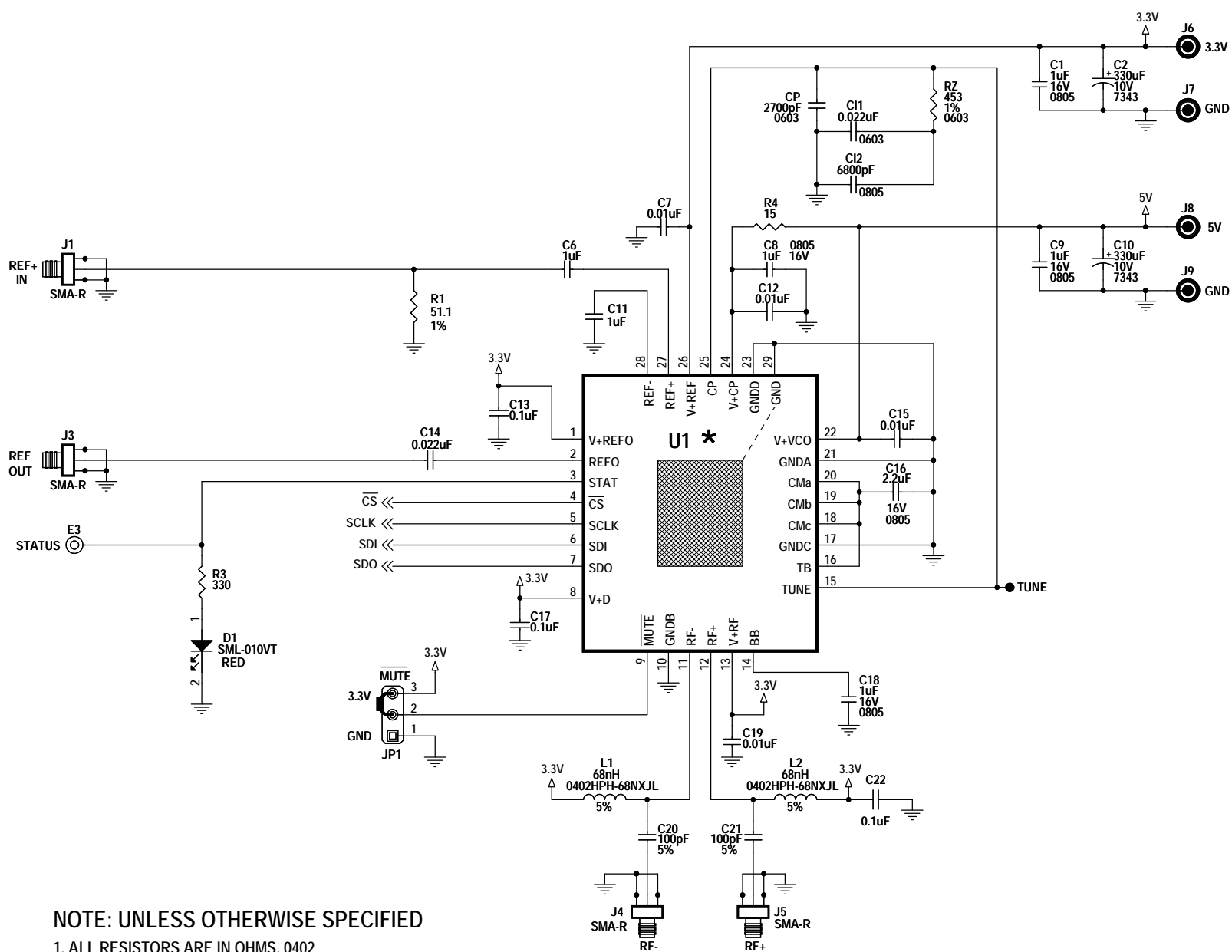



REVISION HISTORY				
ECO	REV	DESCRIPTION	APPROVED	DATE
—	1	REBUILD WITH CHANGE	MICHEL A.	01-22-13



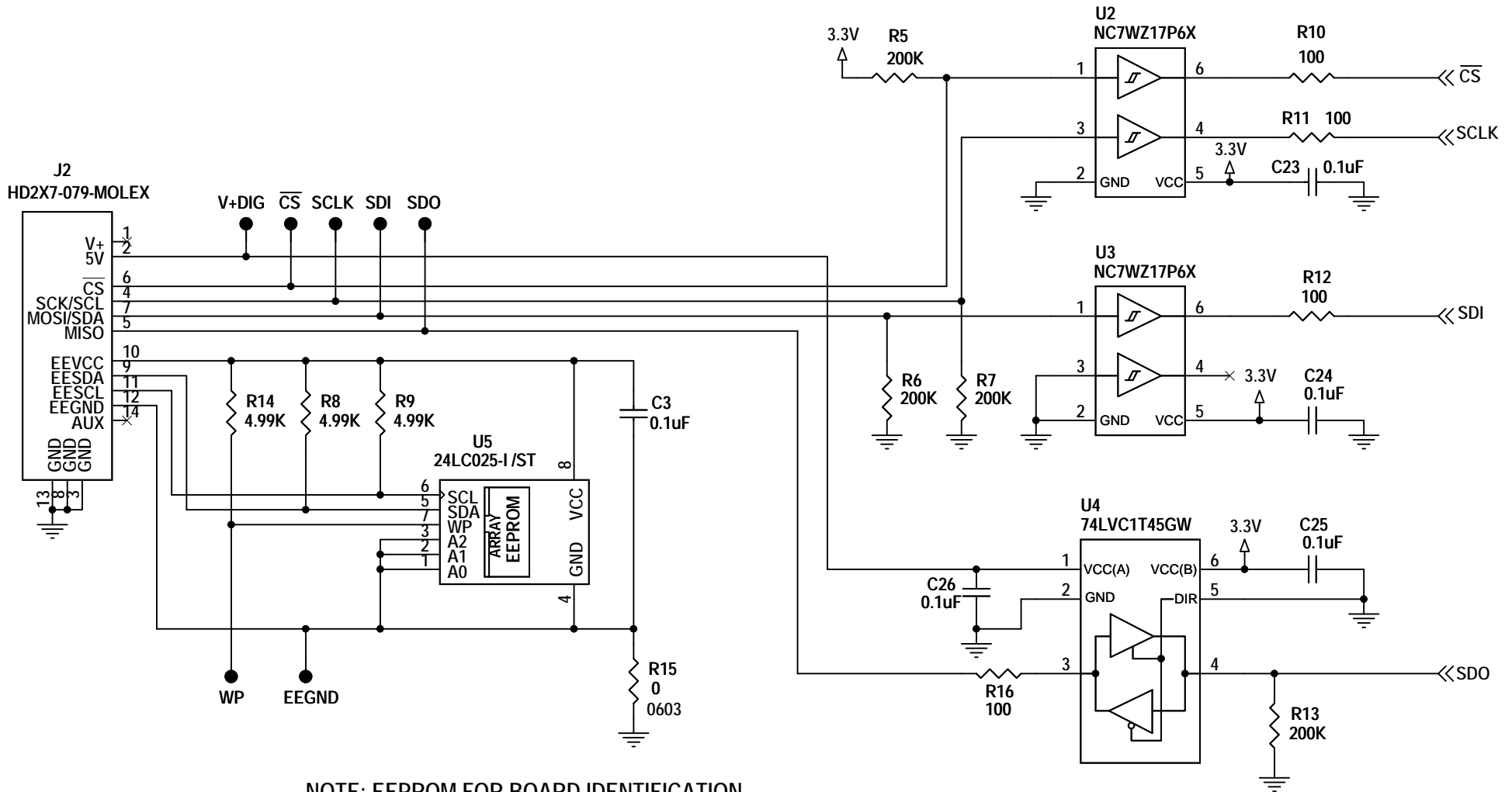
NOTE: UNLESS OTHERWISE SPECIFIED
 1. ALL RESISTORS ARE IN OHMS, 0402
 ALL CAPACITORS ARE IN MICROFARADS, 0402.

*

ASSY	U1	VCO
-A	LTC6946IUFD-1	2.24 TO 3.74 GHz
-B	LTC6946IUFD-2	3.08 TO 4.91 GHz
-C	LTC6946IUFD-3	3.84 TO 5.79 GHz

CUSTOMER NOTICE		APPROVALS		 1630 McCarthy Blvd. Milpitas, CA 95035 Phone: (408)432-1900 www.linear.com Fax: (408)434-0507 LTC Confidential-For Customer Use Only	
LINEAR TECHNOLOGY HAS MADE A BEST EFFORT TO DESIGN A CIRCUIT THAT MEETS CUSTOMER-SUPPLIED SPECIFICATIONS; HOWEVER, IT REMAINS THE CUSTOMER'S RESPONSIBILITY TO VERIFY PROPER AND RELIABLE OPERATION IN THE ACTUAL APPLICATION. COMPONENT SUBSTITUTION AND PRINTED CIRCUIT BOARD LAYOUT MAY SIGNIFICANTLY AFFECT CIRCUIT PERFORMANCE OR RELIABILITY. CONTACT LINEAR TECHNOLOGY APPLICATIONS ENGINEERING FOR ASSISTANCE.		PCB DES.	KIM T.	TITLE: SCHEMATIC ULTRALOW NOISE & SPURIOUS INTEGER-N SYNTHESIZER WITH INTEGRATED VCO	
		APP ENG.	MICHEL A.		
THIS CIRCUIT IS PROPRIETARY TO LINEAR TECHNOLOGY AND SUPPLIED FOR USE WITH LINEAR TECHNOLOGY PARTS.		SCALE = NONE		SIZE	IC NO.
				N/A	LTC6946IUFD-1-2/3
				DEMO CIRCUIT 1705C	
				DATE:	01/22/2013, 12:44 PM
				SHEET	1 OF 2

DC590 SPI INTERFACE



NOTE: EEPROM FOR BOARD IDENTIFICATION

CUSTOMER NOTICE

LINEAR TECHNOLOGY HAS MADE A BEST EFFORT TO DESIGN A CIRCUIT THAT MEETS CUSTOMER-SUPPLIED SPECIFICATIONS; HOWEVER, IT REMAINS THE CUSTOMER'S RESPONSIBILITY TO VERIFY PROPER AND RELIABLE OPERATION IN THE ACTUAL APPLICATION. COMPONENT SUBSTITUTION AND PRINTED CIRCUIT BOARD LAYOUT MAY SIGNIFICANTLY AFFECT CIRCUIT PERFORMANCE OR RELIABILITY. CONTACT LINEAR TECHNOLOGY APPLICATIONS ENGINEERING FOR ASSISTANCE.

THIS CIRCUIT IS PROPRIETARY TO LINEAR TECHNOLOGY AND SUPPLIED FOR USE WITH LINEAR TECHNOLOGY PARTS.

APPROVALS

PCB DES. KIM T.

APP ENG. MICHEL A.

SCALE = NONE



1630 McCarthy Blvd.
Milpitas, CA 95035
Phone: (408)432-1900 www.linear.com
Fax: (408)434-0507
LTC Confidential-For Customer Use Only

TITLE: SCHEMATIC

ULTRALOW NOISE & SPURIOUS INTEGER-N
SYNTHESIZER WITH INTEGRATED VCO

SIZE N/A IC NO. LTC6946IUFD-1/-2/-3 REV. 1
DATE: 01/22/2013, 12:44 PM SHEET 2 OF 2