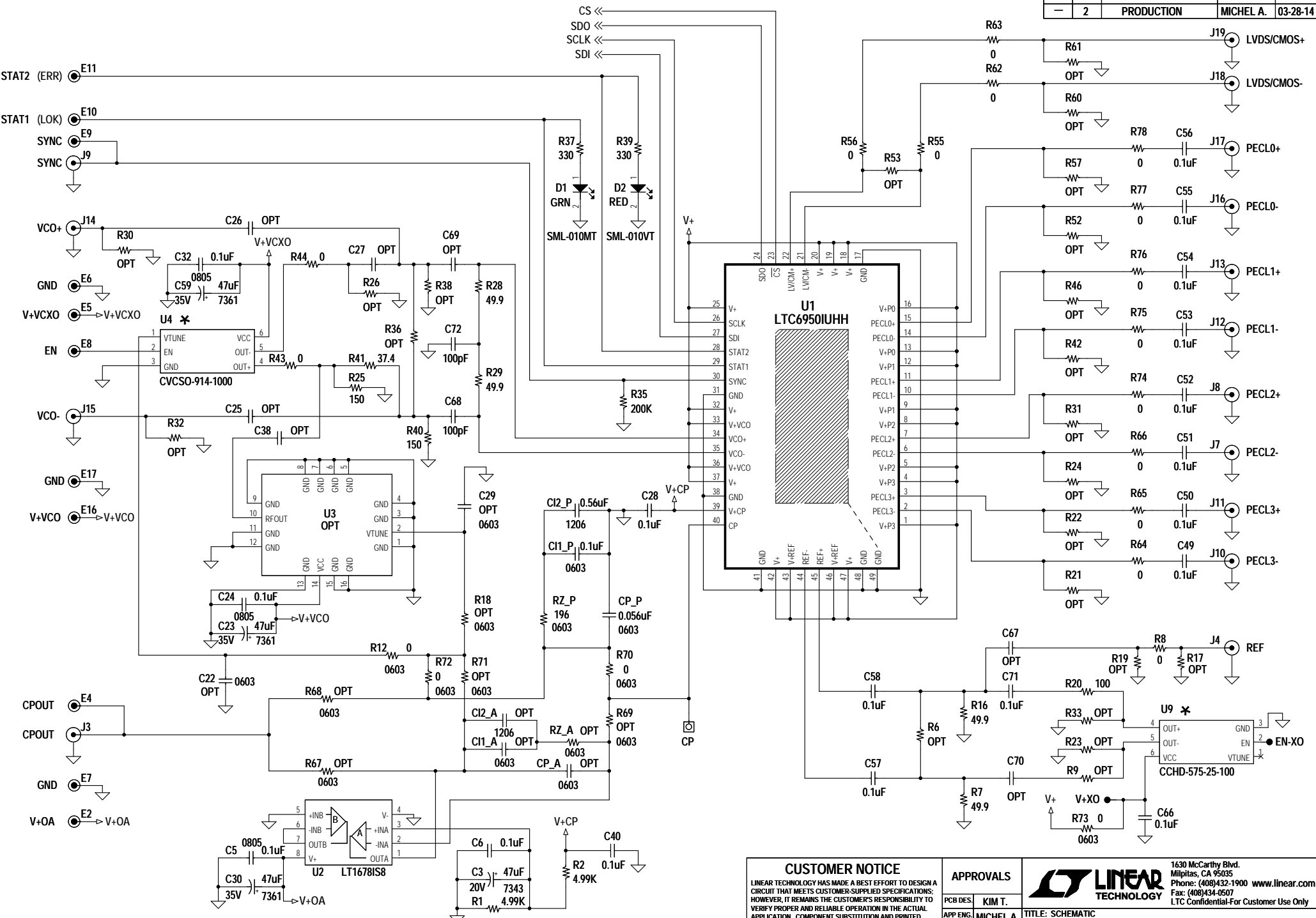


REVISION HISTORY				
ECO	REV	DESCRIPTION	APPROVED	DATE
-	2	PRODUCTION	MICHEL A.	03-28-14



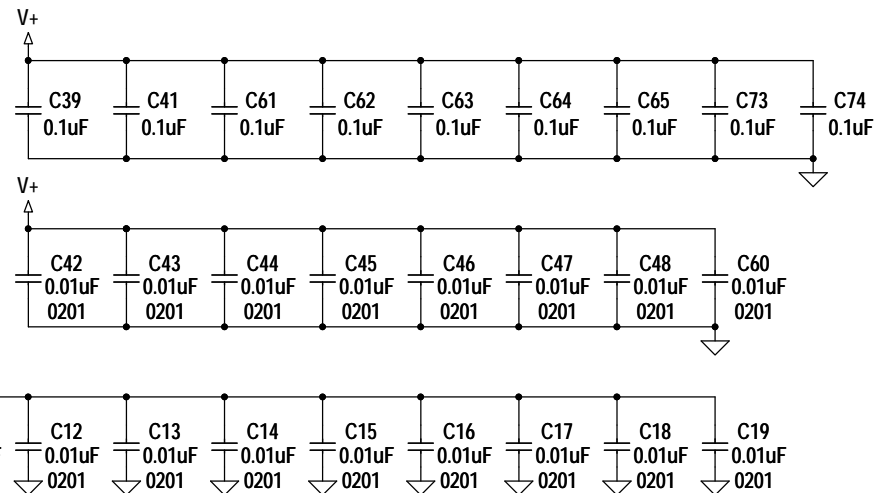
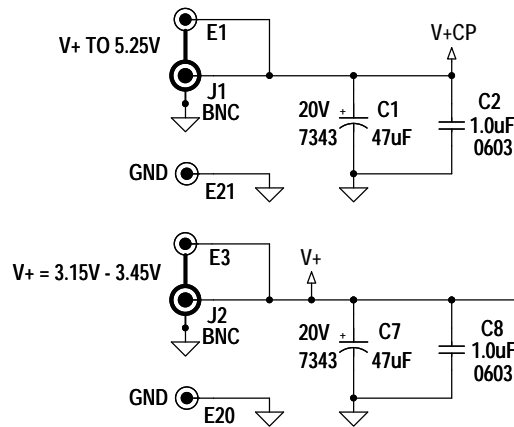
NOTE: UNLESS OTHERWISE SPECIFIED
 1. ALL RESISTORS ARE IN OHMS, 0402
 2. ALL CAPACITORS ARE IN MICROFARADS, 0402

★ THE LAYOUT FOOTPRINT FOR U4 AND U9 ACCEPTS MOST OSCILLATORS IN 9mm X 14mm OR 5mm X 7.5mm PACKAGE WITH EITHER FOUR OR SIX PINS.

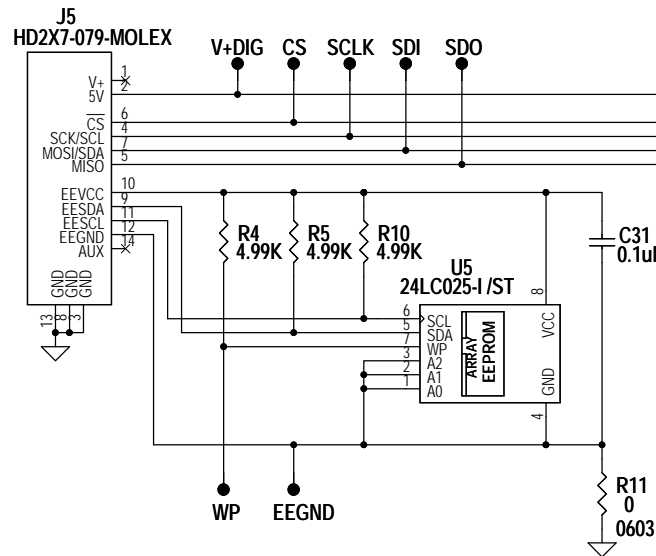
CUSTOMER NOTICE
 LINEAR TECHNOLOGY HAS MADE A BEST EFFORT TO DESIGN A CIRCUIT THAT MEETS CUSTOMER-SUPPLIED SPECIFICATIONS; HOWEVER, IT REMAINS THE CUSTOMER'S RESPONSIBILITY TO VERIFY PROPER AND RELIABLE OPERATION IN THE ACTUAL APPLICATION. COMPONENT SUBSTITUTION AND PRINTED CIRCUIT BOARD LAYOUT MAY SIGNIFICANTLY AFFECT CIRCUIT PERFORMANCE OR RELIABILITY. CONTACT LINEAR TECHNOLOGY APPLICATIONS ENGINEERING FOR ASSISTANCE.

APPROVALS			1630 McCarthy Blvd. Milpitas, CA 95035 Phone: (408)432-1900 www.linear.com Fax: (408)434-0507 LTC Confidential-For Customer Use Only	
PCB DES:	KIM T.		TITLE: SCHEMATIC	
APP ENG:	MICHEL A.	1.4 GHz LOW PHASE NOISE, LOW JITTER PLL WITH CLOCK DISTRIBUTION		
SCALE = NONE	DATE: 03/28/2014, 01:19 PM	SIZE: N/A	IC NO: LTC6950IUHH	REV: 2
		DEMO CIRCUIT 1795A		SHEET 1 OF 2

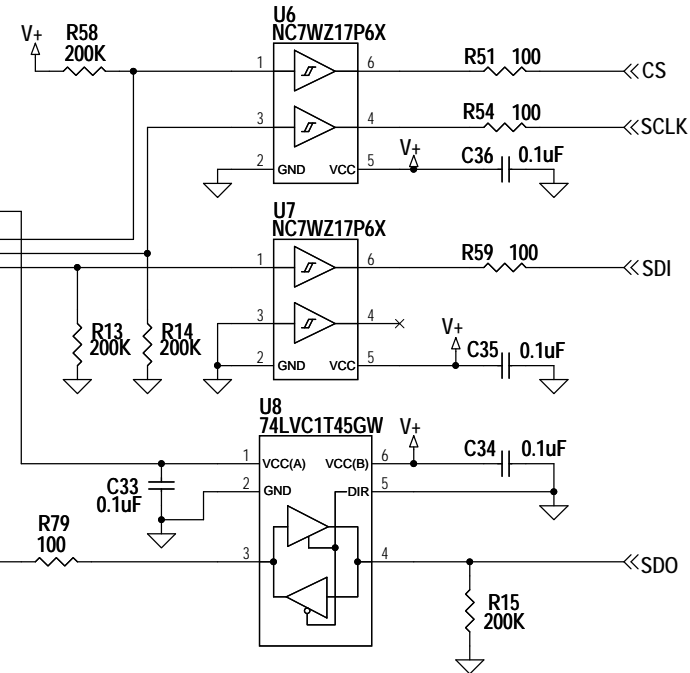
LTC6950 BYPASS AND BULK CAPACITORS



DC590 SPI INTERFACE



NOTE: EEPROM FOR BOARD IDENTIFICATION



CUSTOMER NOTICE

LINEAR TECHNOLOGY HAS MADE A BEST EFFORT TO DESIGN A CIRCUIT THAT MEETS CUSTOMER-SUPPLIED SPECIFICATIONS; HOWEVER, IT REMAINS THE CUSTOMER'S RESPONSIBILITY TO VERIFY PROPER AND RELIABLE OPERATION IN THE ACTUAL APPLICATION. COMPONENT SUBSTITUTION AND PRINTED CIRCUIT BOARD LAYOUT MAY SIGNIFICANTLY AFFECT CIRCUIT PERFORMANCE OR RELIABILITY. CONTACT LINEAR TECHNOLOGY APPLICATIONS ENGINEERING FOR ASSISTANCE.

THIS CIRCUIT IS PROPRIETARY TO LINEAR TECHNOLOGY AND SUPPLIED FOR USE WITH LINEAR TECHNOLOGY PARTS.

APPROVALS

PCB DES. KIM T.

APP ENG. MICHEL A.

SCALE = NONE



1630 McCarthy Blvd.
Milpitas, CA 95035
Phone: (408)432-1900 www.linear.com
Fax: (408)434-0507
LTC Confidential-For Customer Use Only

TITLE: SCHEMATIC

1.4 GHZ LOW PHASE NOISE, LOW JITTER PLL WITH CLOCK DISTRIBUTION

SIZE IC NO.

N/A

LTC6950IUHH
DEMO CIRCUIT 1795A

REV.

2

DATE: 03/24/2014, 05:07 PM

SHEET 2 OF 2