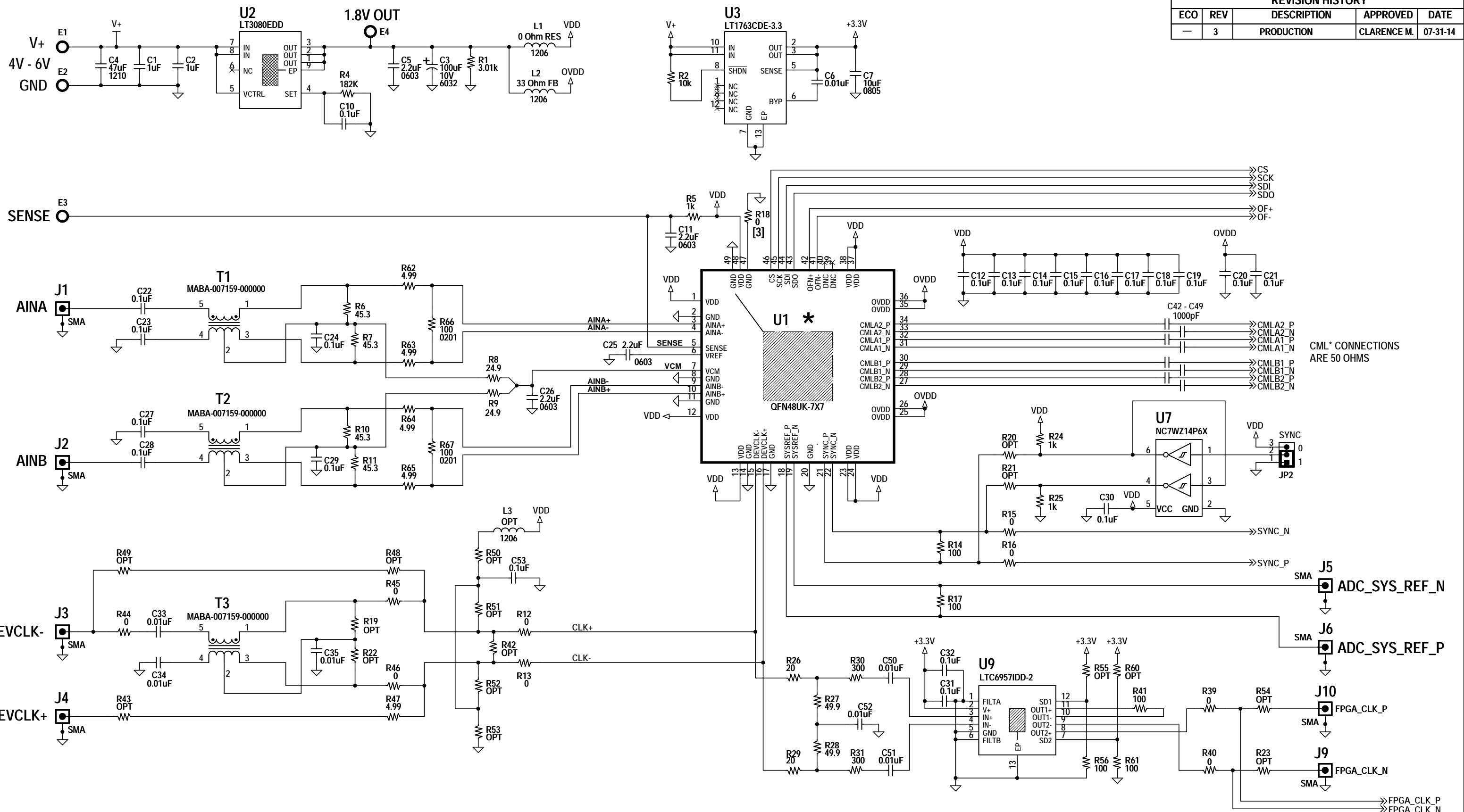


REVISION HISTORY				
ECO	REV	DESCRIPTION	APPROVED	DATE
-	3	PRODUCTION	CLARENCE M.	07-31-14



CML* CONNECTIONS ARE 50 OHMS

NOTES: UNLESS OTHERWISE SPECIFIED

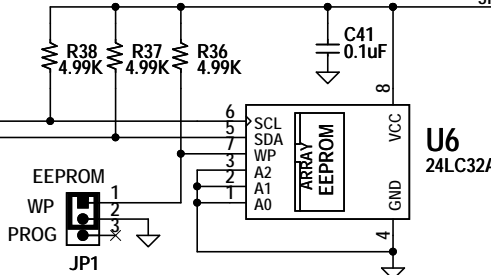
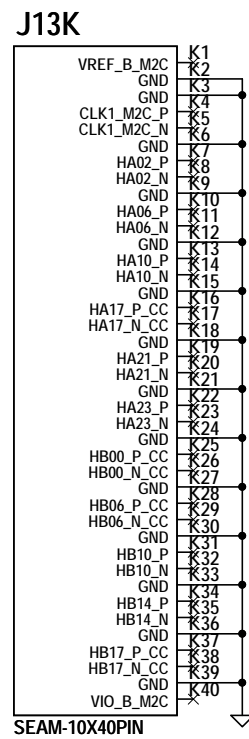
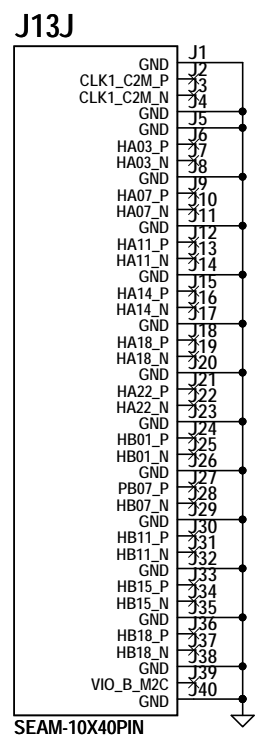
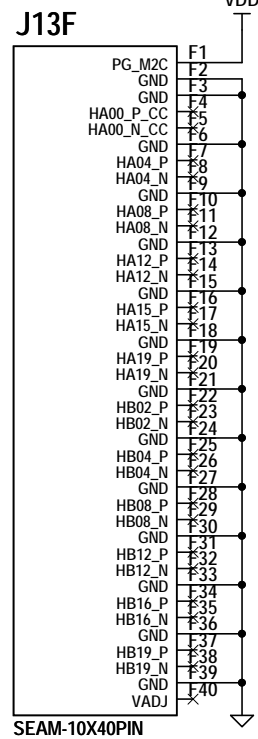
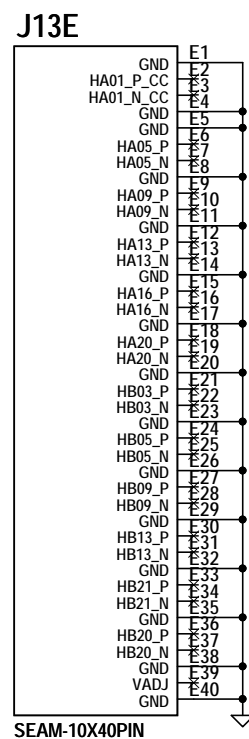
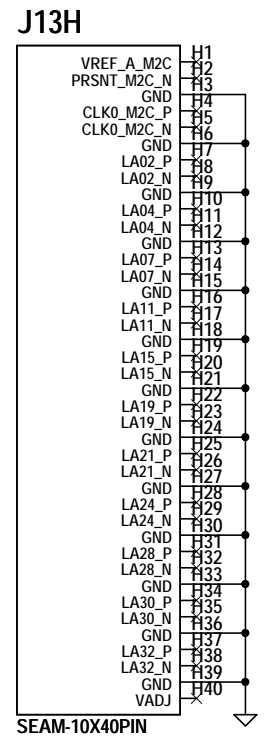
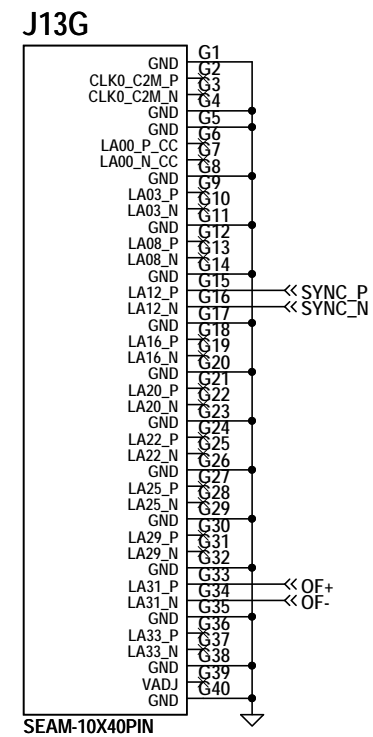
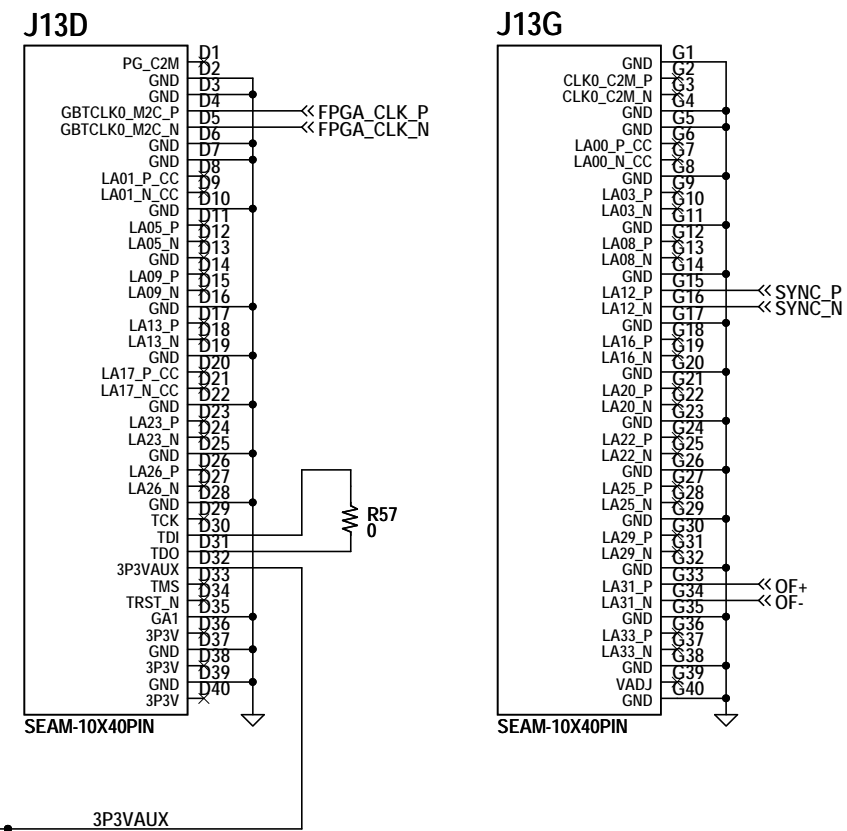
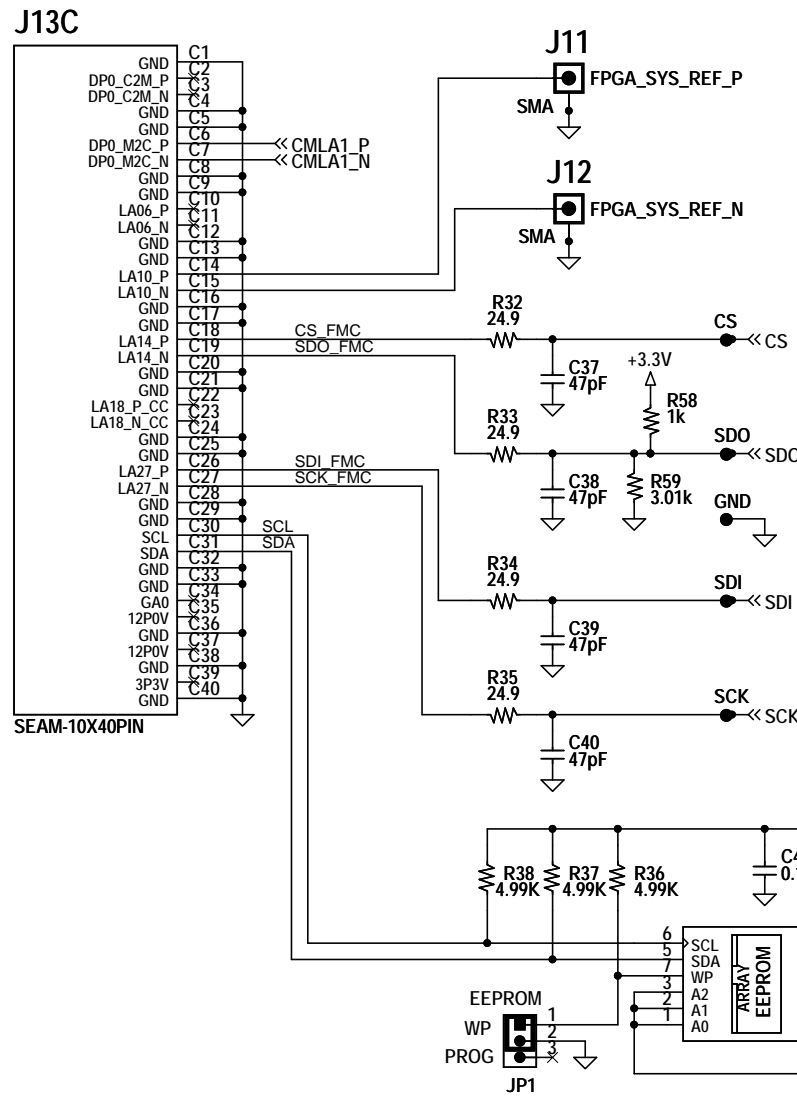
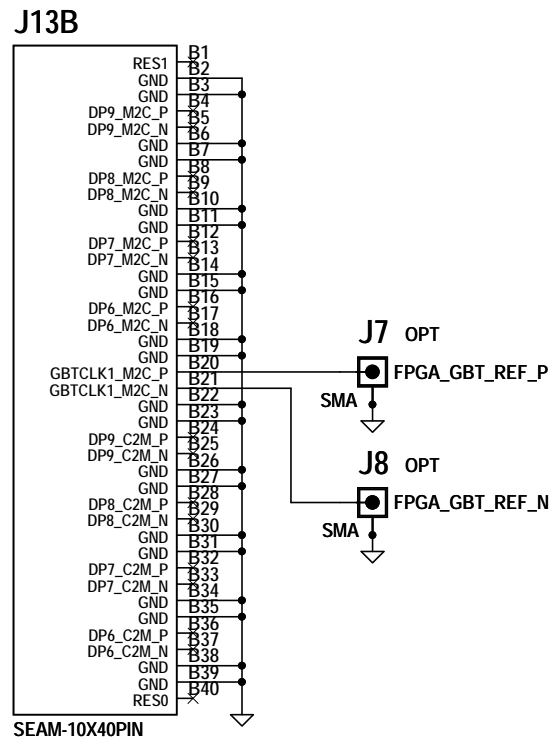
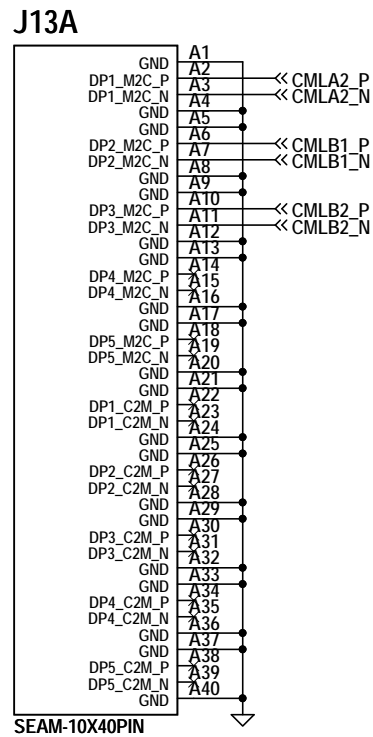
- ALL RESISTORS ARE IN OHMS, 0402.
ALL CAPACITORS ARE IN MICROFARADS, 0402.
- INSTALL SHUNTS AS SHOWN.
- R18 IS OPTIONAL AT THE FINAL VERSION.

* ASSY	U1	-Bit	Mbps
-A	LTC2124IUK-14	14	310
-B	LTC2123IUK-14	14	250
-C	LTC2122IUK-14	14	170

CUSTOMER NOTICE
 LINEAR TECHNOLOGY HAS MADE A BEST EFFORT TO DESIGN A CIRCUIT THAT MEETS CUSTOMER-SUPPLIED SPECIFICATIONS; HOWEVER, IT REMAINS THE CUSTOMER'S RESPONSIBILITY TO VERIFY PROPER AND RELIABLE OPERATION IN THE ACTUAL APPLICATION. COMPONENT SUBSTITUTION AND PRINTED CIRCUIT BOARD LAYOUT MAY SIGNIFICANTLY AFFECT CIRCUIT PERFORMANCE OR RELIABILITY. CONTACT LINEAR TECHNOLOGY APPLICATIONS ENGINEERING FOR ASSISTANCE.

THIS CIRCUIT IS PROPRIETARY TO LINEAR TECHNOLOGY AND SUPPLIED FOR USE WITH LINEAR TECHNOLOGY PARTS.

APPROVALS			1630 McCarthy Blvd. Milpitas, CA 95035 Phone: (408)432-1900 www.linear.com Fax: (408)434-0507 LTC Confidential-For Customer Use Only	
PCB DES.	KIM T.		TITLE: SCHEMATIC DUAL 14-BIT HIGH SPEED ADC WITH JESD204B SERIAL OUTPUTS	
APP ENG.	CLARENCE M.	SIZE	IC NO.	REV.
		N/A	LTC212XIUK FAMILY	3
			Demo Circuit 1974A	
SCALE = NONE	DATE: Thursday, July 31, 2014	SHEET 1 OF 2		



CUSTOMER NOTICE

LINEAR TECHNOLOGY HAS MADE A BEST EFFORT TO DESIGN A CIRCUIT THAT MEETS CUSTOMER-SUPPLIED SPECIFICATIONS; HOWEVER, IT REMAINS THE CUSTOMER'S RESPONSIBILITY TO VERIFY PROPER AND RELIABLE OPERATION IN THE ACTUAL APPLICATION. COMPONENT SUBSTITUTION AND PRINTED CIRCUIT BOARD LAYOUT MAY SIGNIFICANTLY AFFECT CIRCUIT PERFORMANCE OR RELIABILITY. CONTACT LINEAR TECHNOLOGY APPLICATIONS ENGINEERING FOR ASSISTANCE.

THIS CIRCUIT IS PROPRIETARY TO LINEAR TECHNOLOGY AND SUPPLIED FOR USE WITH LINEAR TECHNOLOGY PARTS.

APPROVALS	
PCB DES.	KIM T.
APP ENG.	CLARENCE M.
SCALE = NONE	

1630 McCarthy Blvd.
Milpitas, CA 95035
Phone: (408)432-1900 www.linear.com
Fax: (408)434-0507
LTC Confidential-For Customer Use Only

TITLE: SCHEMATIC

DUAL 14-BIT HIGH SPEED ADC WITH JESD204B SERIAL OUTPUTS

SIZE	IC NO.	REV.
N/A	LTC212XIUK FAMILY	3
DATE: Thursday, July 31, 2014		SHEET 2 OF 2