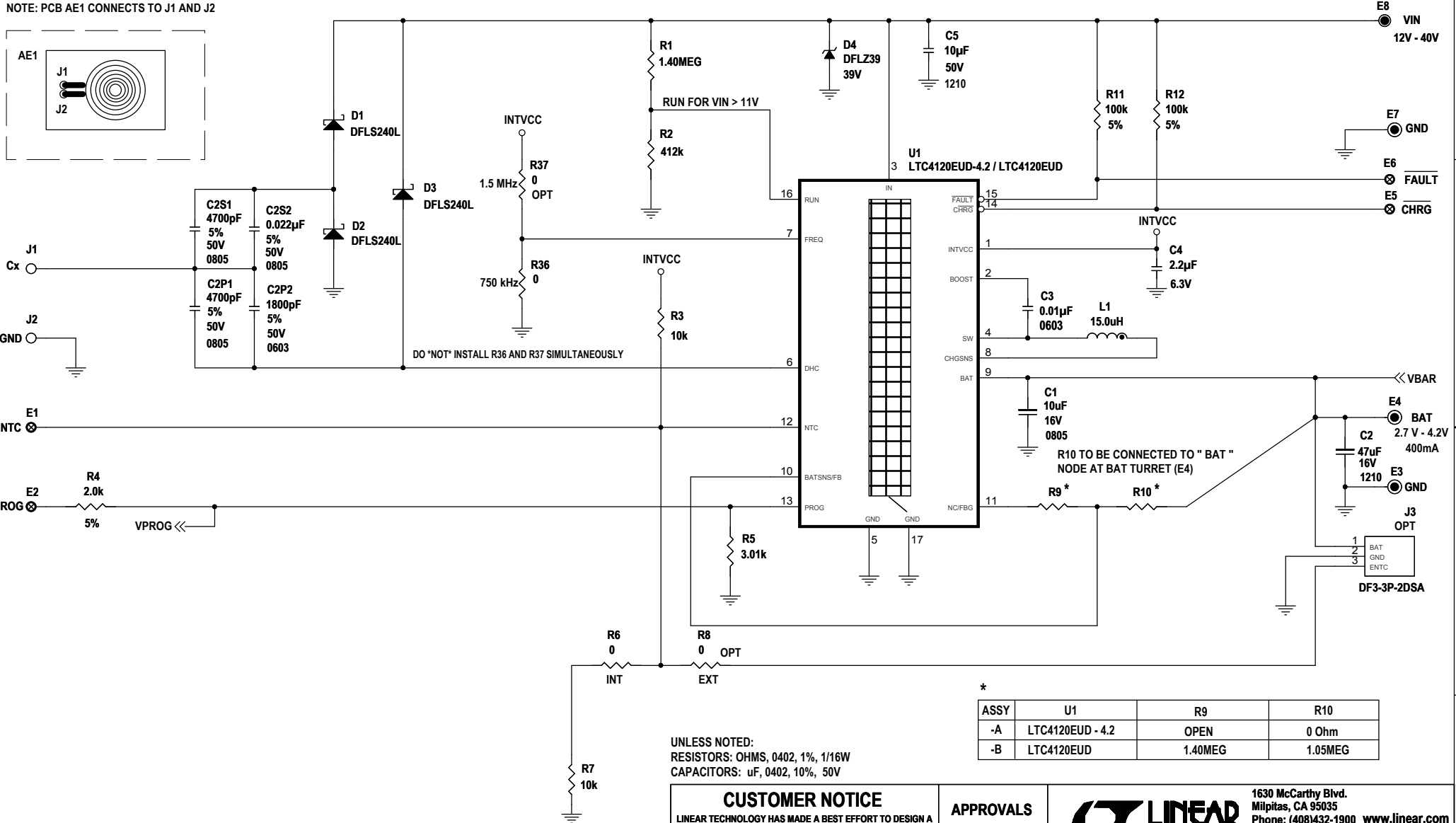


REVISION HISTORY				
ECO	REV	DESCRIPTION	APPROVED	DATE
-	3	PRODUCTION	GEORGE B.	7-17-14

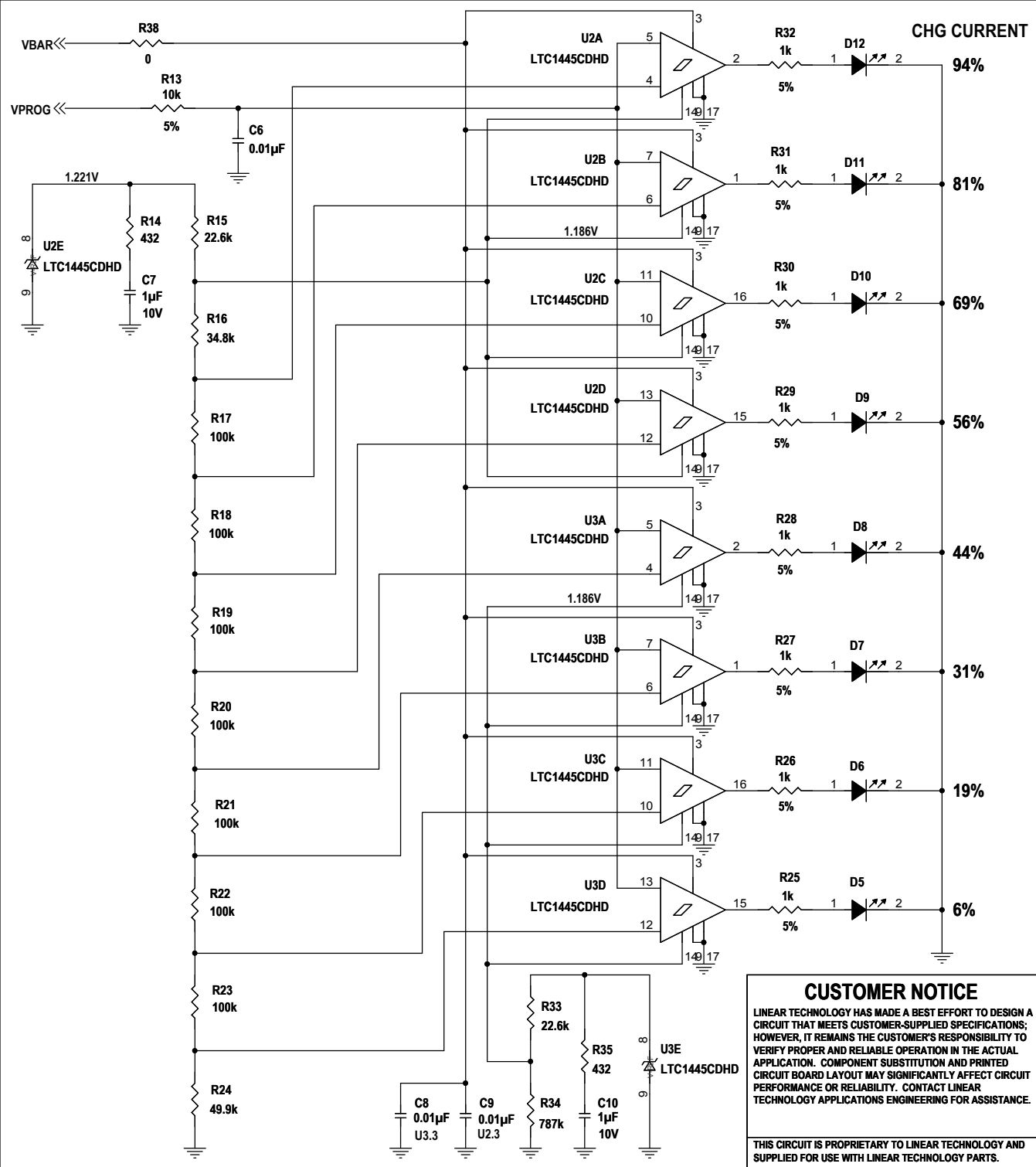
FIGURE 1.  
NOTE: PCB AE1 CONNECTS TO J1 AND J2



ASSY	U1	R9	R10
-A	LTC4120EUD - 4.2	OPEN	0 Ohm
-B	LTC4120EUD	1.40MEG	1.05MEG

UNLESS NOTED:  
RESISTORS: OHMS, 0402, 1%, 1/16W  
CAPACITORS: uF, 0402, 10%, 50V

<p><b>CUSTOMER NOTICE</b></p> <p>LINEAR TECHNOLOGY HAS MADE A BEST EFFORT TO DESIGN A CIRCUIT THAT MEETS CUSTOMER-SUPPLIED SPECIFICATIONS; HOWEVER, IT REMAINS THE CUSTOMER'S RESPONSIBILITY TO VERIFY PROPER AND RELIABLE OPERATION IN THE ACTUAL APPLICATION. COMPONENT SUBSTITUTION AND PRINTED CIRCUIT BOARD LAYOUT MAY SIGNIFICANTLY AFFECT CIRCUIT PERFORMANCE OR RELIABILITY. CONTACT LINEAR TECHNOLOGY APPLICATIONS ENGINEERING FOR ASSISTANCE.</p>		<p><b>APPROVALS</b></p> <p>PCB DES. NC</p> <p>APP ENG. GEORGE B.</p>		<p>1630 McCarthy Blvd. Milpitas, CA 95035 Phone: (408)432-1900 www.linear.com Fax: (408)434-0507 LTC Confidential-For Customer Use Only</p>	
		<p>TITLE: SCHEMATIC</p> <p><b>400mA WIRELESS SYNCHRONOUS BUCK BATTERY CHARGER</b></p>			<p>SIZE N/A</p> <p>IC NO. LTC4120EUD - 4.2 / LTC4120EUD</p> <p><b>DEMO CIRCUIT 2181A - A / B</b></p> <p>REV. 3</p>
<p>THIS CIRCUIT IS PROPRIETARY TO LINEAR TECHNOLOGY AND SUPPLIED FOR USE WITH LINEAR TECHNOLOGY PARTS.</p>		<p>SCALE = NONE</p>		<p>DATE: 7-17-14</p>	<p>SHEET 1 OF 2</p>



UNLESS NOTED:  
 RESISTORS: OHMS, 0402, 1%, 1/16W  
 CAPACITORS: uF, 0402, 10%, 50V

**CUSTOMER NOTICE**  
 LINEAR TECHNOLOGY HAS MADE A BEST EFFORT TO DESIGN A CIRCUIT THAT MEETS CUSTOMER-SUPPLIED SPECIFICATIONS; HOWEVER, IT REMAINS THE CUSTOMER'S RESPONSIBILITY TO VERIFY PROPER AND RELIABLE OPERATION IN THE ACTUAL APPLICATION. COMPONENT SUBSTITUTION AND PRINTED CIRCUIT BOARD LAYOUT MAY SIGNIFICANTLY AFFECT CIRCUIT PERFORMANCE OR RELIABILITY. CONTACT LINEAR TECHNOLOGY APPLICATIONS ENGINEERING FOR ASSISTANCE.

THIS CIRCUIT IS PROPRIETARY TO LINEAR TECHNOLOGY AND SUPPLIED FOR USE WITH LINEAR TECHNOLOGY PARTS.

APPROVALS	
PCB DES.	NC
APP ENG.	GEORGE B.
SCALE = NONE	

		1630 McCarthy Blvd. Milpitas, CA 95035 Phone: (408)432-1900 www.linear.com Fax: (408)434-0507 LTC Confidential-For Customer Use Only	
		<b>TITLE: SCHEMATIC</b> <b>BAR GRAPH FOR 400mA WIRELESS SYNCHRONOUS BUCK BATTERY CHARGER</b>	
SIZE	IC NO.	LTC4120EUD - 4.2 / LTC4120EUD	REV.
N/A		DEMO CIRCUIT 2181A - A / B	3
DATE:	7 - 17 - 14	SHEET 2 OF 2	