
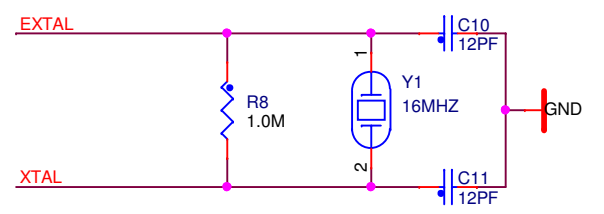
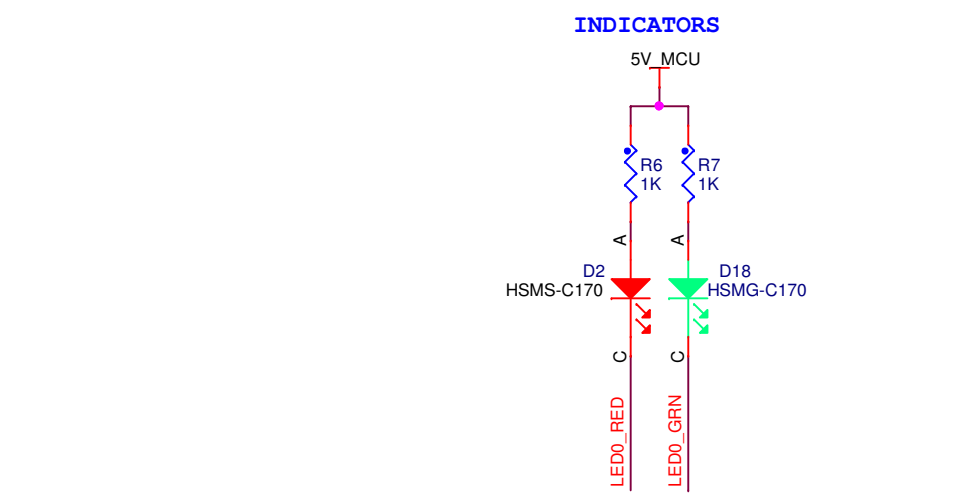
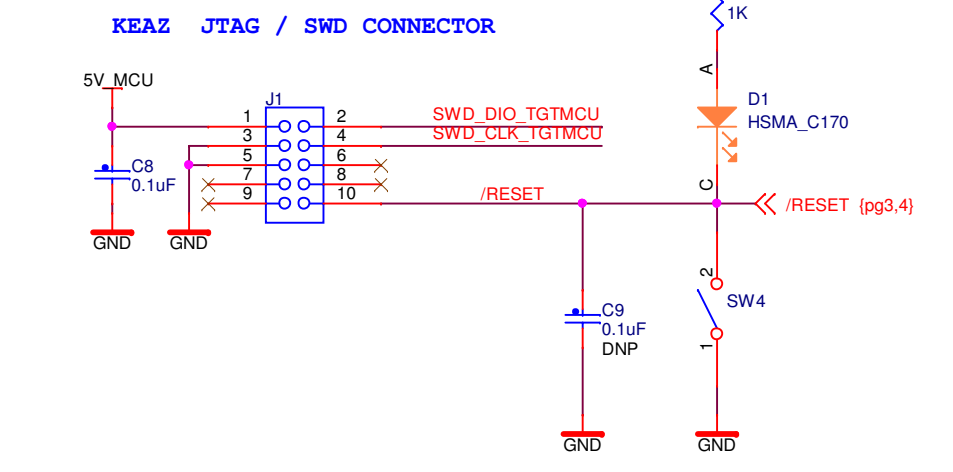
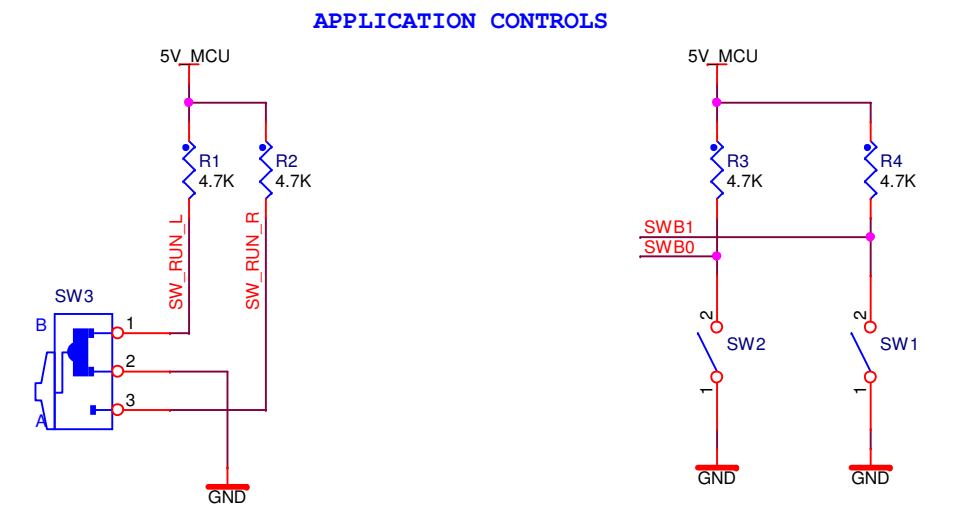
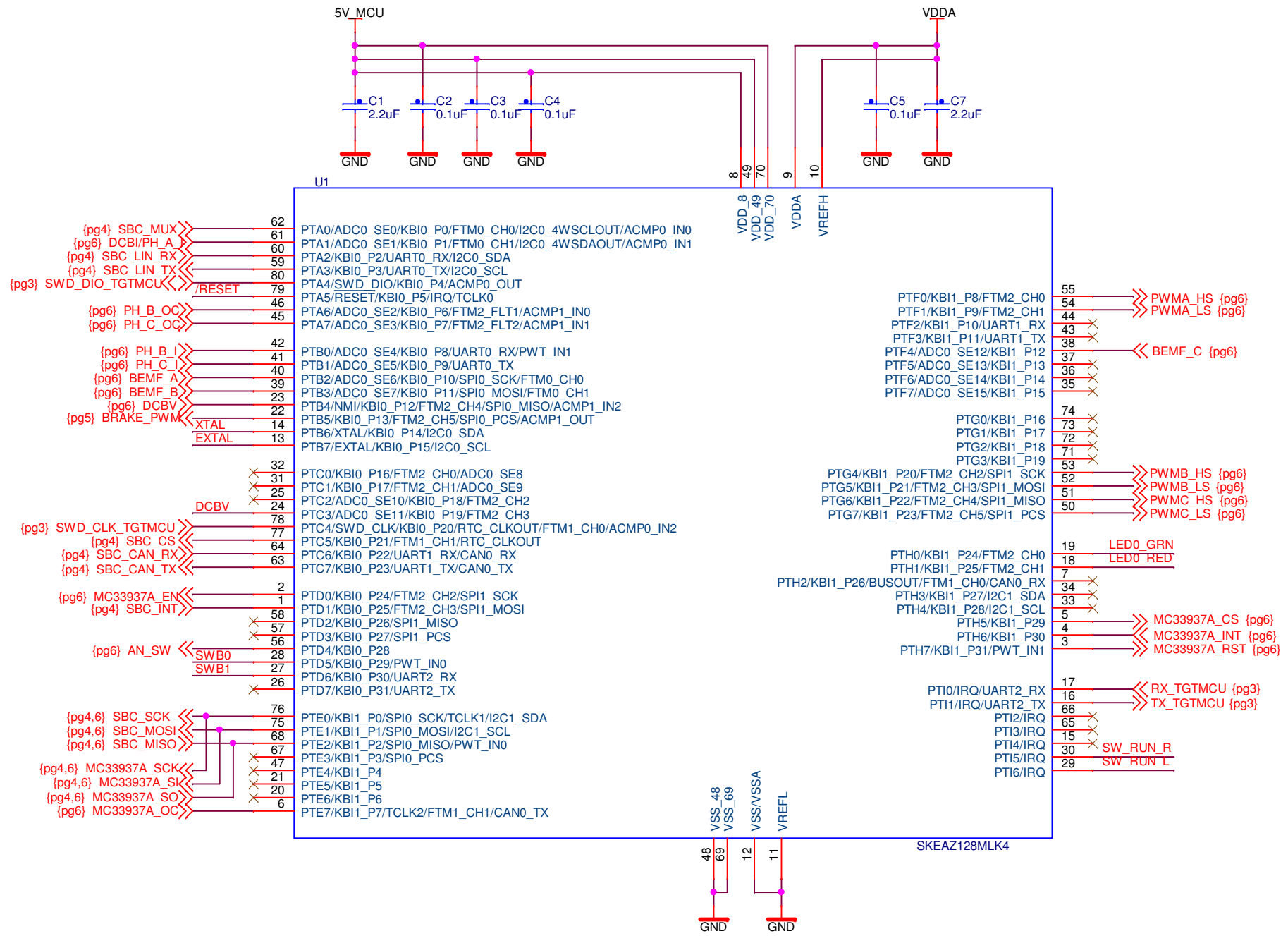


**Table of Contents**

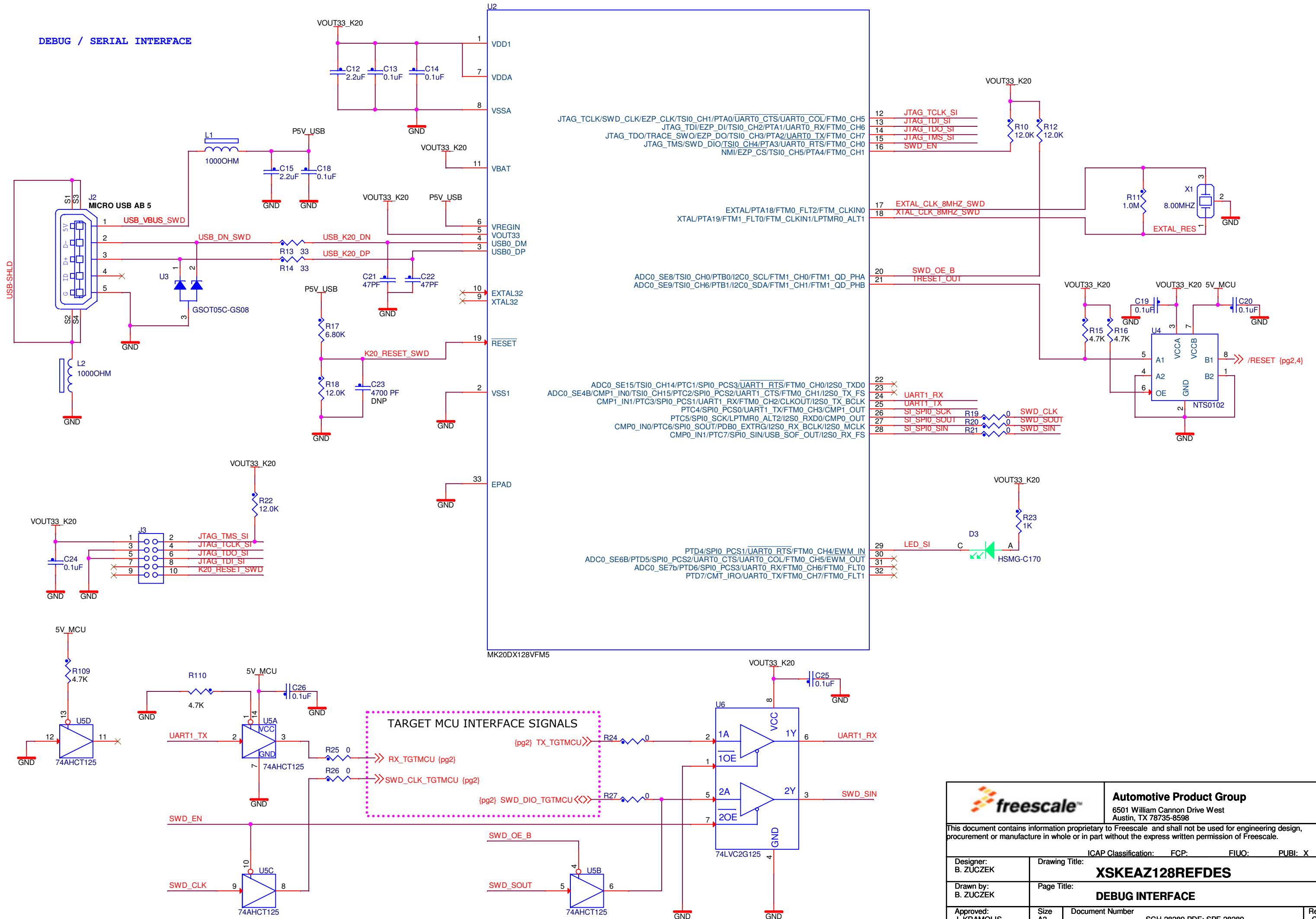
01	TITLE PAGE
02	MCU
03	DEBUG INTERFACE
04	SUPPLY
05	POWER BRIDGE
06	MOSFET DRIVERS / VI SENSING

		<b>Automotive Product Group</b> 6501 William Cannon Drive West Austin, TX 78735-8598	
This document contains information proprietary to Freescale and shall not be used for engineering design, procurement or manufacture in whole or in part without the express written permission of Freescale.			
ICAP Classification: FCP: FIUO: PUBI: X			
Designer: B. ZUCZEK	Drawing Title: <b>XSKEAZ128REFDES</b>		
Drawn by: B. ZUCZEK	Page Title: <b>TITLE PAGE</b>		
Approved: J. KRAMOLIS	Size A3	Document Number SCH-28289 PDF: SPF-28289	Rev C
Date: Tuesday, May 20, 2014		Sheet 1 of 6	

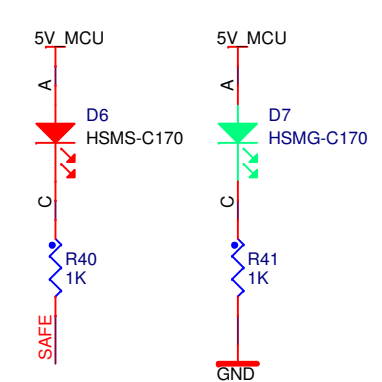
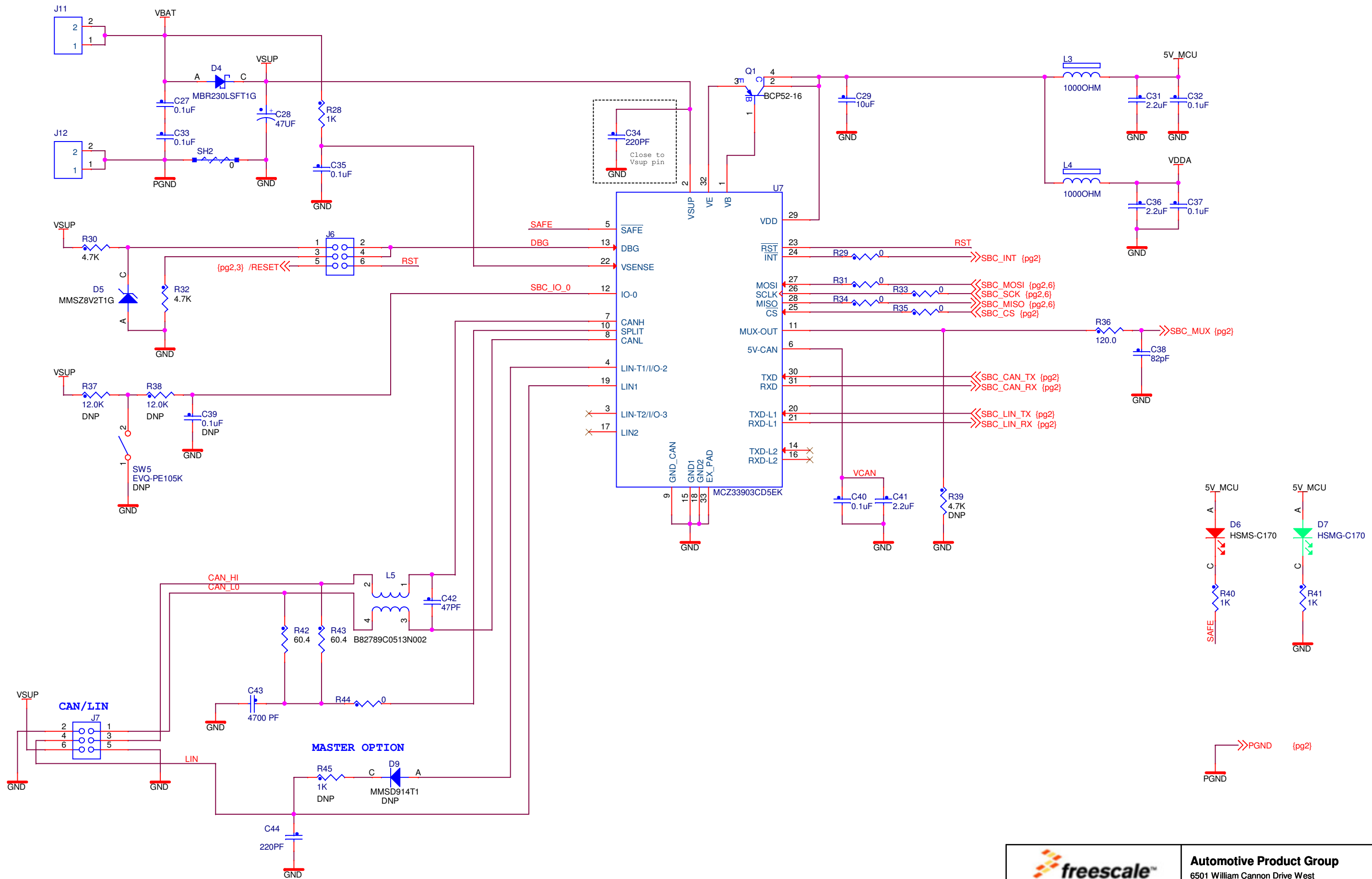


		<b>Automotive Product Group</b> 6501 William Cannon Drive West Austin, TX 78735-8598		
		This document contains information proprietary to Freescale and shall not be used for engineering design, procurement or manufacture in whole or in part without the express written permission of Freescale.		
ICAP Classification:		FCP:	FIUO:	PUBI: X
Designer: B. ZUCZEK	Drawing Title: <b>XSKEAZ128REFDES</b>			
Drawn by: B. ZUCZEK	Page Title: <b>MCU / CONTROLS / INDICATORS / DEBUG</b>			
Approved: J. KRAMOLIS	Size A3	Document Number SCH-28289 PDF: SPF-28289	Rev C	
Date: Tuesday, May 20, 2014		Sheet 2 of 6		

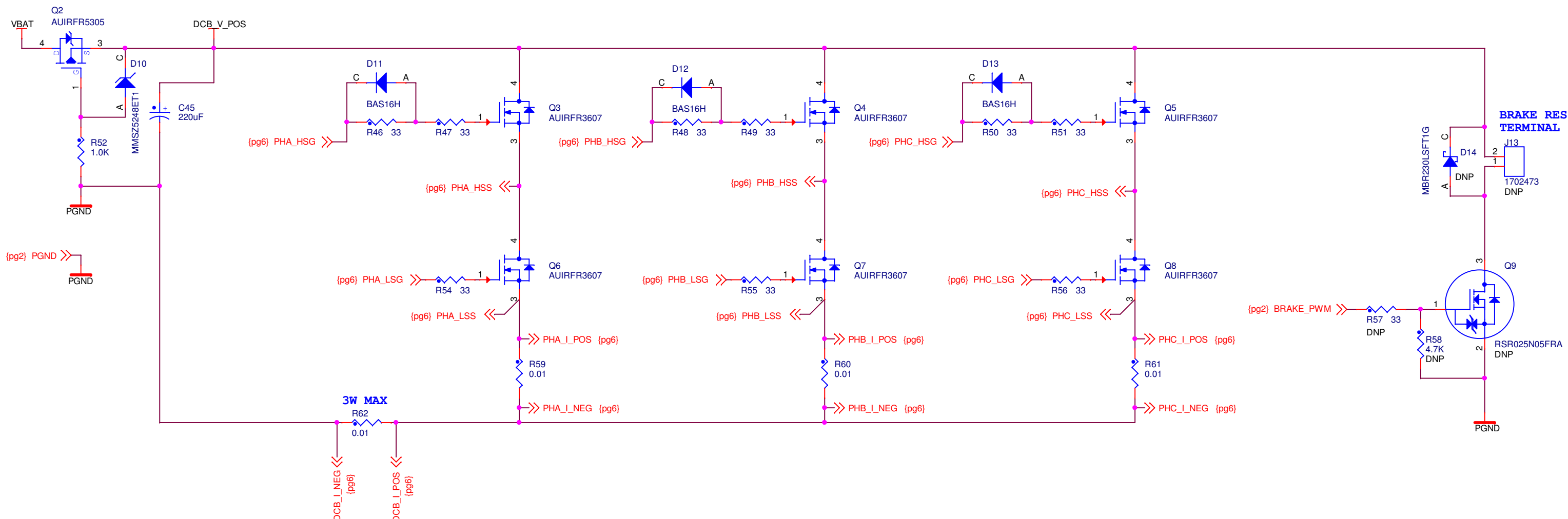
DEBUG / SERIAL INTERFACE



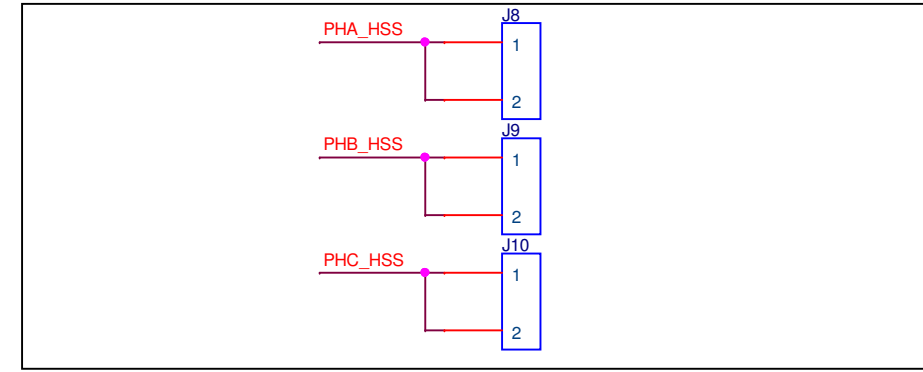
		<b>Automotive Product Group</b> 6501 William Cannon Drive West Austin, TX 78735-8598	
		This document contains information proprietary to Freescale and shall not be used for engineering design, procurement or manufacture in whole or in part without the express written permission of Freescale.	
ICAP Classification: FCP: FIUO: PUBI: X		Designer: B. ZUCZEK Drawing Title: <b>XSKEAZ128REFDES</b>	
Drawn by: B. ZUCZEK		Page Title: <b>DEBUG INTERFACE</b>	
Approved: J. KRAMOLIS		Size A3	Document Number SCH-28289 PDF: SPF-28289
Date: Tuesday, May 20, 2014		Sheet 3 of 6	Rev C



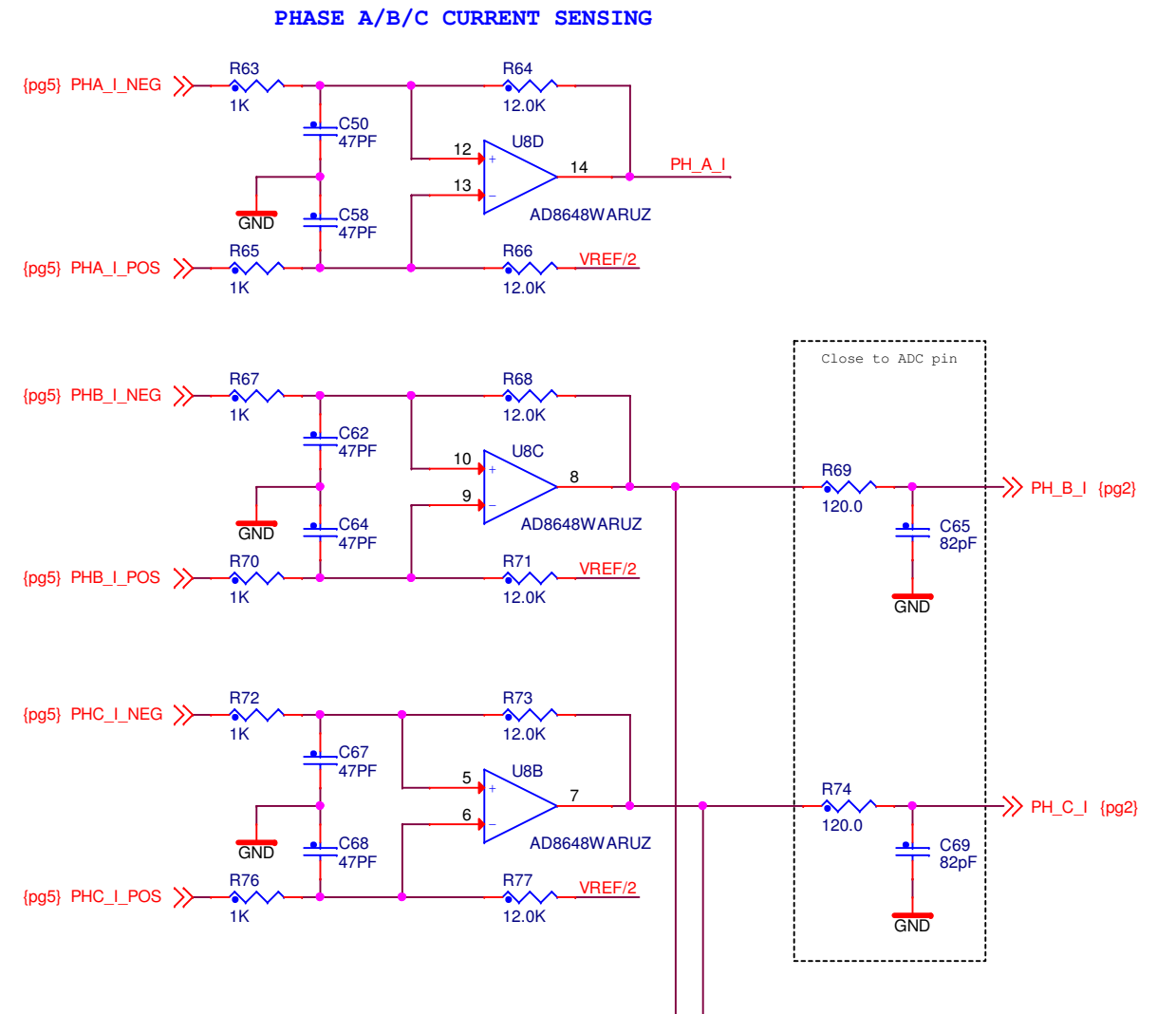
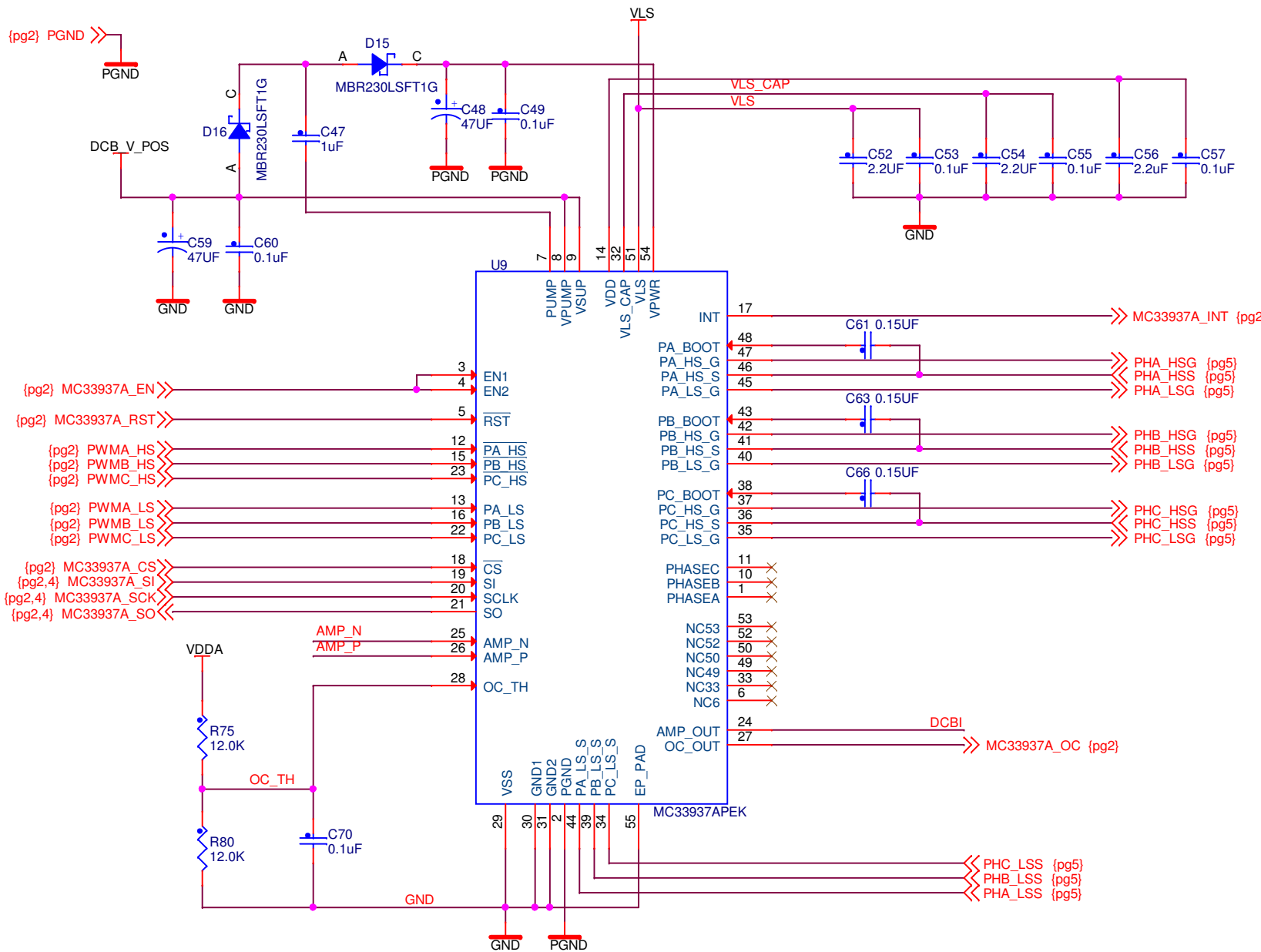
		<b>Automotive Product Group</b> 6501 William Cannon Drive West Austin, TX 78735-8598	
		This document contains information proprietary to Freescale and shall not be used for engineering design, procurement or manufacture in whole or in part without the express written permission of Freescale.	
ICAP Classification: FCP: FIUO: PUBI: X		Designer: B. ZUCZEK	
Drawing Title: <b>XSKEAZ128REFDES</b>		Drawn by: B. ZUCZEK	
Page Title: <b>POWER SUPPLY</b>		Approved: J. KRAMOLIS	
Size A3	Document Number SCH-28289 PDF: SPF-28289	Rev C	
Date: Tuesday, May 20, 2014		Sheet 4 of 6	



**OUTPUT TERMINAL**

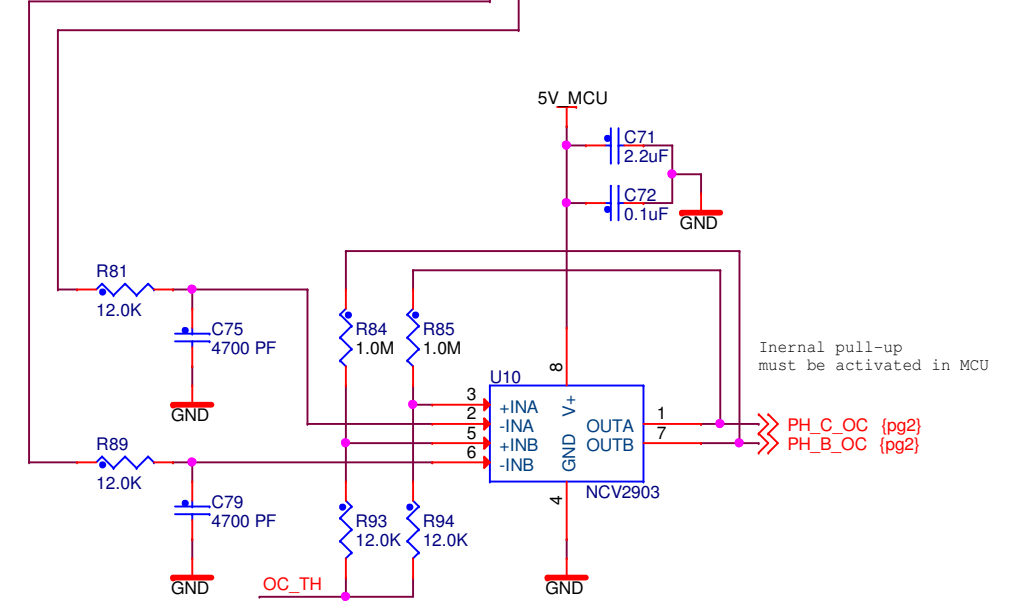
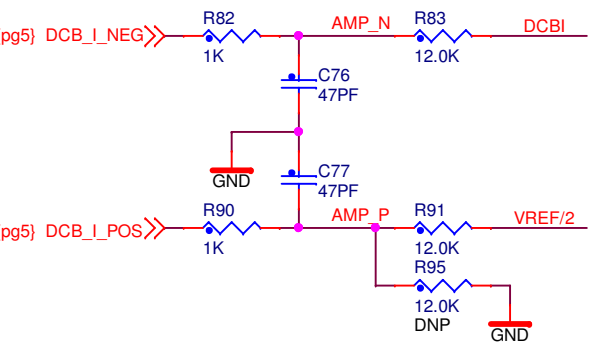
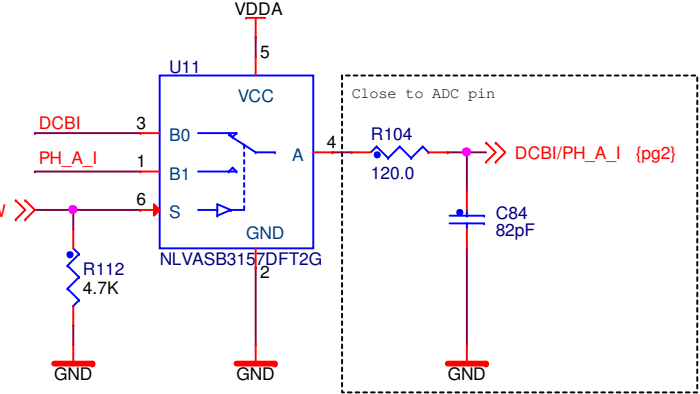


		<b>Automotive Product Group</b> 6501 William Cannon Drive West Austin, TX 78735-8598	
		This document contains information proprietary to Freescale and shall not be used for engineering design, procurement or manufacture in whole or in part without the express written permission of Freescale.	
Designer: B. ZUCZEK		Drawing Title: <b>XSKEAZ128REFDES</b>	
Drawn by: B. ZUCZEK		Page Title: <b>POWER BRIDGE</b>	
Approved: J. KRAMOLIS		Size A3	Document Number SCH-28289 PDF: SPF-28289
Date: Tuesday, May 20, 2014		Sheet 5	of 6

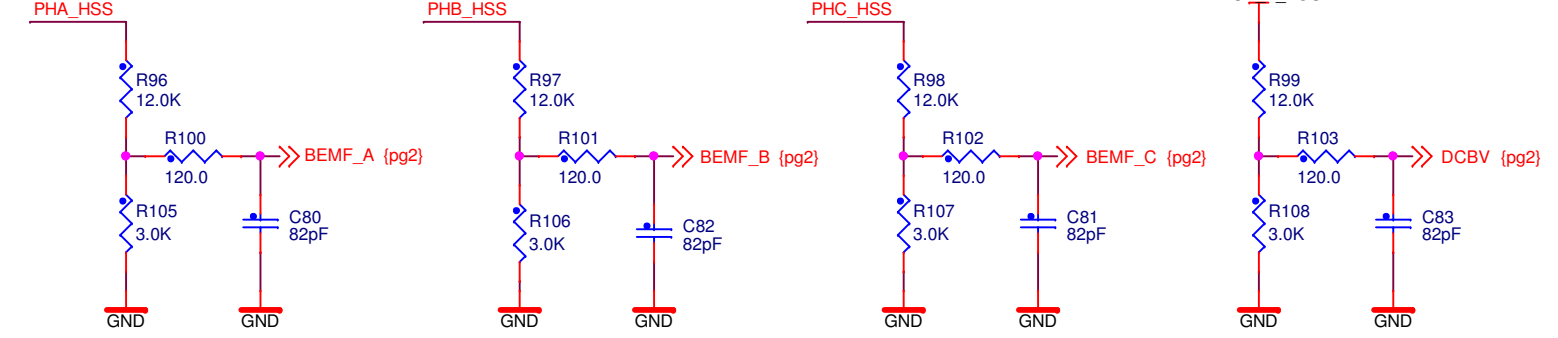


**DC BUS Current Sensing**  
 $A = 12K / 1K = 12$   
 $U_a = (I_{dcb} * 0.01 * A) + 2.5V$   
 $I_{dcb} = \langle -20.83 \dots 20.83 \rangle [A]$   
 $U_a = \langle 0 \dots 5 \rangle [V]$

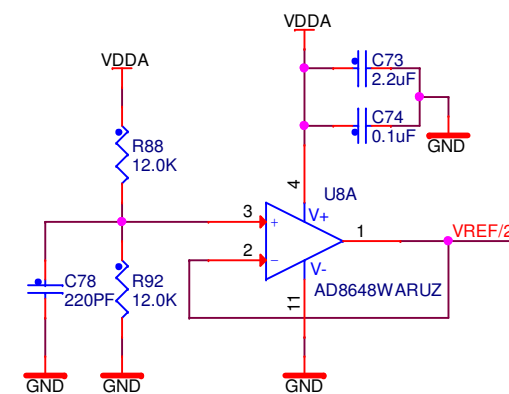
**DC BUS Current/Phase A current switch**



**Back EMF Voltage sensing**



**DC BUS Voltage sensing**  
 $5V @ 25V * (3K / (12K + 3K))$



		<b>Automotive Product Group</b> 6501 William Cannon Drive West Austin, TX 78735-8598	
This document contains information proprietary to Freescale and shall not be used for engineering design, procurement or manufacture in whole or in part without the express written permission of Freescale.			
Designer: <b>B. ZUCZEK</b>		Drawing Title: <b>XSKEAZ128REFDES</b>	
Drawn by: <b>B. ZUCZEK</b>		Page Title: <b>MOSFET DRIVERS / VI SENSING</b>	
Approved: <b>J. KRAMOLIS</b>		Size <b>A3</b>	Document Number <b>SCH-28289 PDF: SPF-28289</b>
Date: <b>Tuesday, May 20, 2014</b>		Sheet <b>6</b> of <b>6</b>	