

**Table of Contents**

2	Notes
3	Schematic Page 1

**Revisions**

Rev	Description	Date	Approved
A	Original Release	DATE	DESIGNER

		<b>Microcontroller Solutions Group</b> 6501 William Cannon Drive West Austin, TX 78735-8099	
<small>This document contains information proprietary to Freescale Semiconductor and shall not be used for engineering design, procurement or manufacture in whole or in part without the express written permission of Freescale Semiconductor.</small>			
Designer: Ocevaldo Romero		ICAP Classification: FOP: FIUQ: PUB: X	
Drawing Title: Ocevaldo Romero		<b>KEA128LEDLIGHTRD</b>	
<b>TITLE PAGE</b>			
Approved: APPROVER	Size C	Document Number SCH-28450 PDF: SPF-28450	Rev A
Date: Thursday, July 17, 2014		Sheet 1 of 5	

1. Unless Otherwise Specified:

All resistors are in ohms, 5%, 1/8 Watt

All capacitors are in uF, 20%, 50V

All voltages are DC

All polarized capacitors are aluminum electrolytic

2. Interrupted lines coded with the same letter or letter combinations are electrically connected.

3. Device type number is for reference only. The number varies with the manufacturer.

4. Special signal usage:

\_B Denotes - Active-Low Signal

<> or [] Denotes - Vectored Signals

5. Interpret diagram in accordance with American National Standards Institute specifications, current revision, with the exception of logic block symbology.



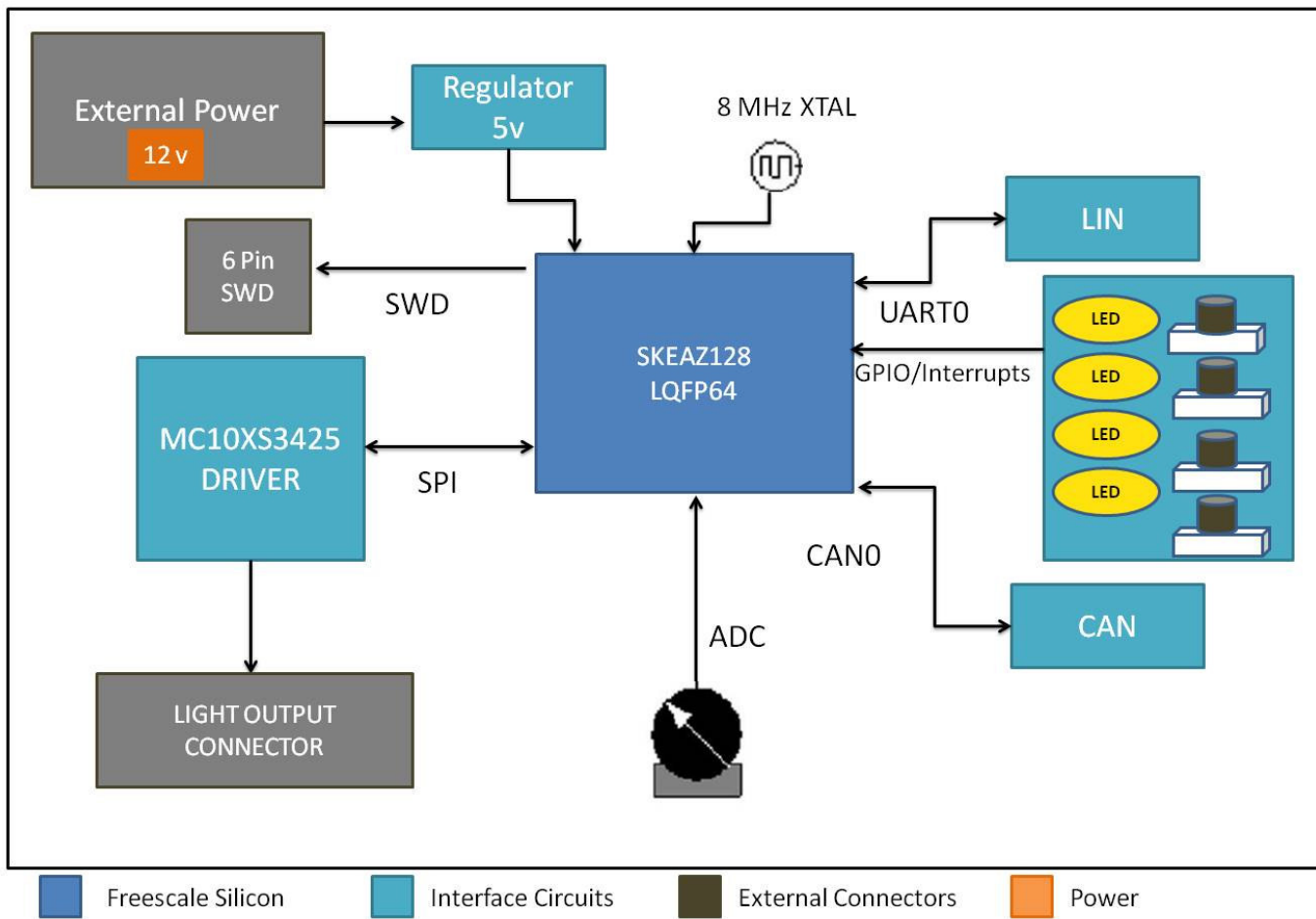
ICAP Classification: FCP: FIUC: PUB: X

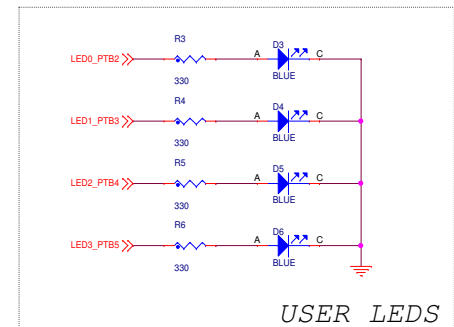
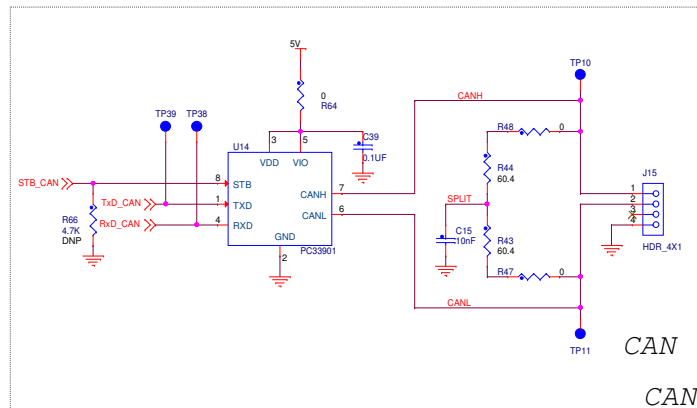
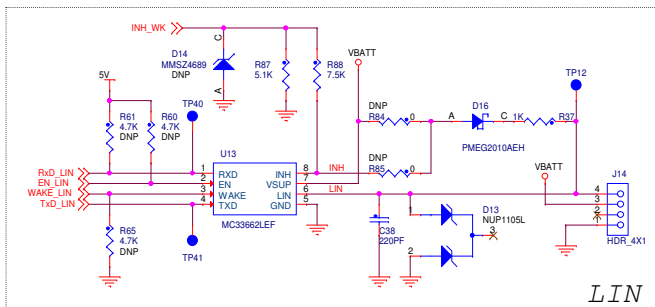
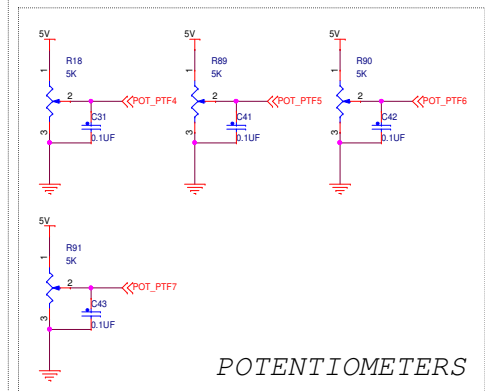
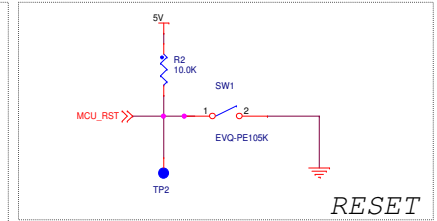
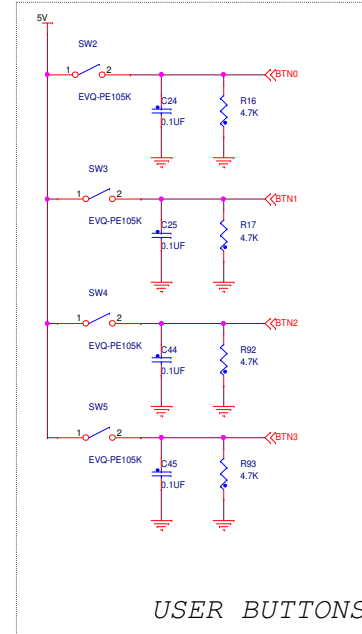
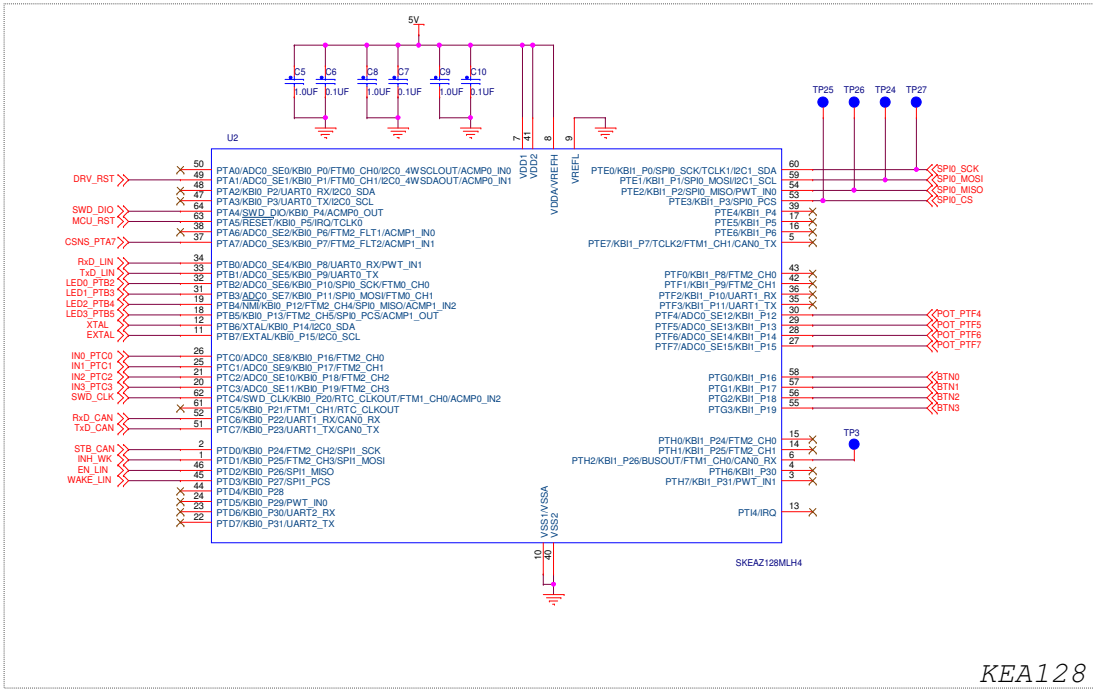
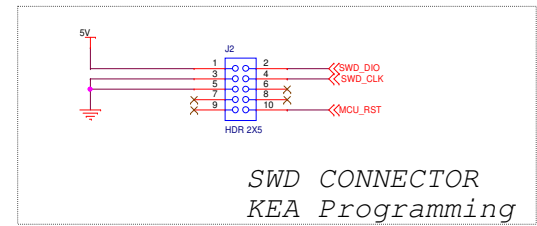
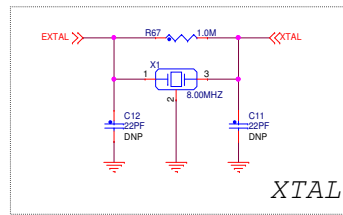
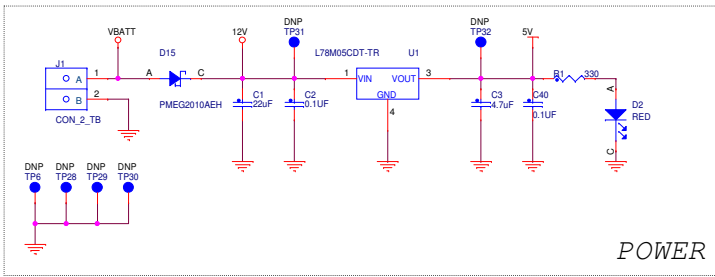
Drawing Title: **KEA128LEDLIGHTRD**

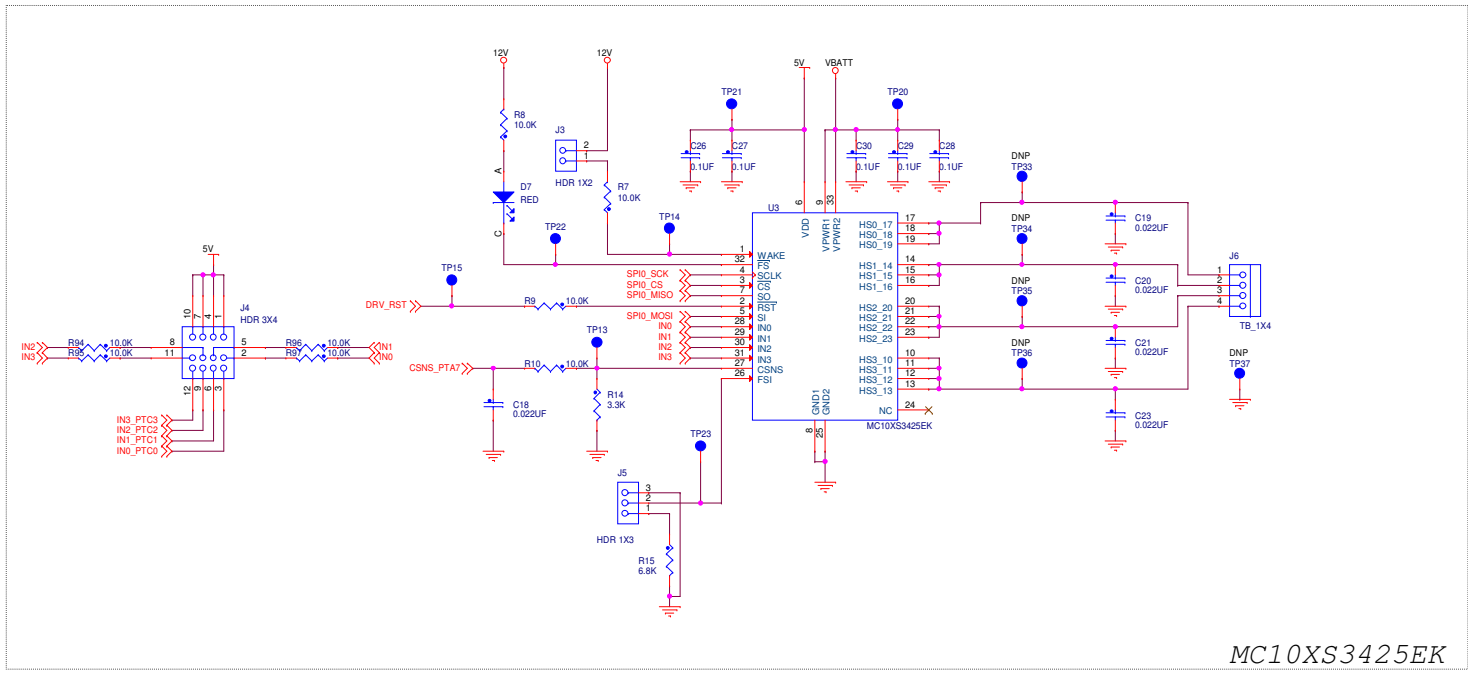
Page Title: **NOTES**

Size	Document Number	Rev
C	SCH-28450 PDF: SPF-28450	A

Date: Thursday, July 17, 2014 Sheet 2 of 5







MC10XS3425EK

**freescale**

ICAP Classification: FCP: FIUC: PUB: X  
 Drawing Title: **KEA128LEDLIGHTRD**  
 Page Title: **MC10XS3425 DRIVER**

Size C	Document Number SCH-28450 PDF: SPF-28450	Rev A
Date: Thursday, July 17, 2014	Sheet 5 of 5	