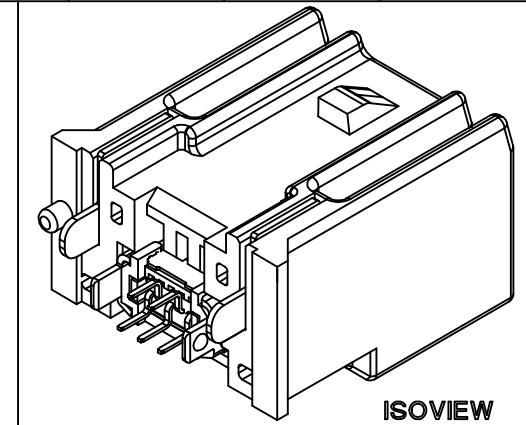
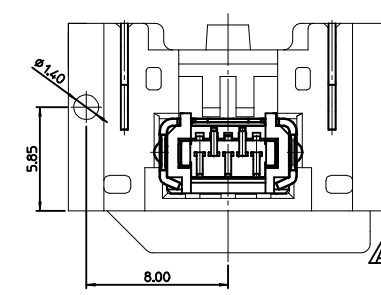
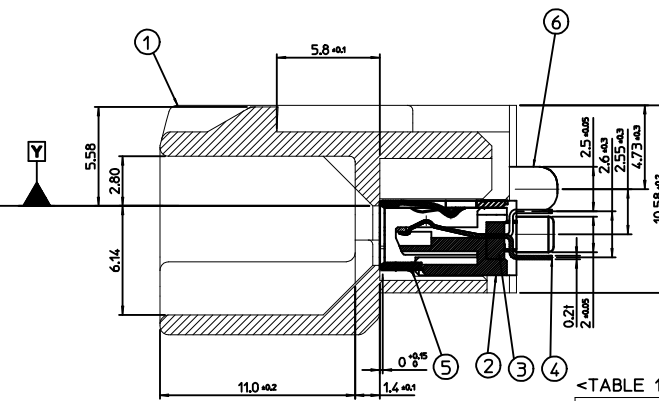
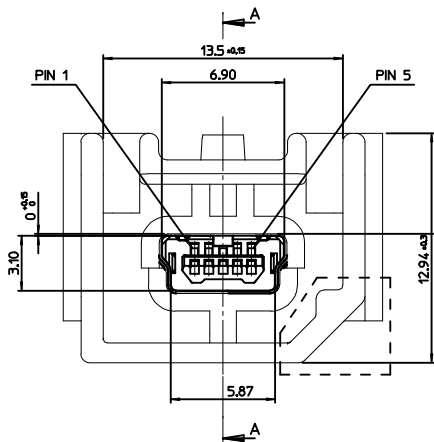


RECOMMENDED PCB LAYOUT



NOTE

- MATES WITH :
(MOLEX SERIES NO. - 111014, 111015, 111005, 111041, 111019, 111020)
- SHROUD GEOMETRY AND ASSEMBLY WITH USB MINI-B CONNECTOR ARE ACCORDING TO USCAR STD 999-U-USB-Z01
- FINISHES
 - TERMINAL :
CONTACT AREA : Au 0.75 μ m MIN.
SOLDER TAIL AREA : TIN 1.04 μ m MIN.
UNDER PLATING : NI 1.04 μ m MIN.
 - SHIELD CASE :
3.04 μ m MIN. TIN OVER NI 1.04 μ m MIN.
 - FITTING NAIL :
3.04 μ m MIN. TIN OVER NI 1.04 μ m MIN.
- UNLESS OTHERWISE SPECIFIED, TYPICAL RECOMMENDED PCB MANUFACTURING TOLERANCE IS ± 0.05
- PACKAGING IS TRAY :
(48 PCS/TRAY, 5 TRAY/TRAY BOX, 240 PCS/TRAY BOX, 960 PCS/CARTON BOX)
- PACKING IS TUBE :
(29 PCS/TUBE, 60 TUBE/BOX, 1740 PCS/CARTON BOX)
- PRODUCT SPECIFICATION : PS-49616-001
- PACKAGING INFORMATION : PK-104004-001
PK-104004-002
- PCB THICKNESS : 1.6mm(REFERENCE)



<TABLE 1>

MATERIAL NO.	ORDER NO.	COLOR	PACKING
1040040505	104004-0505	GRAY	TRAY
1040040705	104004-0705	GRAY	TUBE

<PARTS LIST>

NO.	PART NAME	MATERIAL
1	SHROUD-B	LCP, GLASS FILLED, UL94 V-0
2	RECEPTACLE HOUSING	LCP, GLASS FILLED, UL94 V-0
3	CONTACT HOUSING	LCP, GLASS FILLED, UL94 V-0
4	CONTACT TERMINAL	COPPER ALLOY
5	SHIELD CASE	PHOSPHOR BRONZE
6	BOARD LOCKS PIN	BRASS

ADDED OPTION
EC NO: KTR2015-0061
DRAWN BY: IRWIN/BAEK
CHKD:
APPR: SRTAK
2015/02/03
2015/02/16

QUALITY SYMBOLS
 $\nabla=0$
 $\nabla=0$
 GENERAL TOLERANCES (UNLESS SPECIFIED)
 mm INCH
 4 PLACES \pm --- \pm ---
 3 PLACES \pm 0 \pm ---
 2 PLACES \pm 0.15 \pm ---
 1 PLACE \pm 0.25 \pm ---
 ANGULAR \pm 1°
 DRAFT WHERE APPLICABLE
 MUST REMAIN
 WITHIN DIMENSIONS

DIMENSION STYLE
 MM ONLY
 DRAWN BY DATE
 S.M.KIM 2009/06/17
 CHECKED BY DATE
 B.C.YOON 2009/06/17
 APPROVED BY DATE
 E.H.JUNG 2009/06/17
 MATERIAL NO.
 SEE TABLE 1

SCALE
 5:1
 DESIGN UNITS
 METRIC
 THIRD ANGLE
 PROJECTION
 TITLE
 USCAR USB MINI B CONN
 VERTICAL B
 MOLEX INCORPORATED
 DOCUMENT NO.
 SD-104004-002
 SHEET NO.
 1 OF 1
 THIS DRAWING CONTAINS INFORMATION THAT IS PROPRIETARY TO MOLEX
 INCORPORATED AND SHOULD NOT BE USED WITHOUT WRITTEN PERMISSION