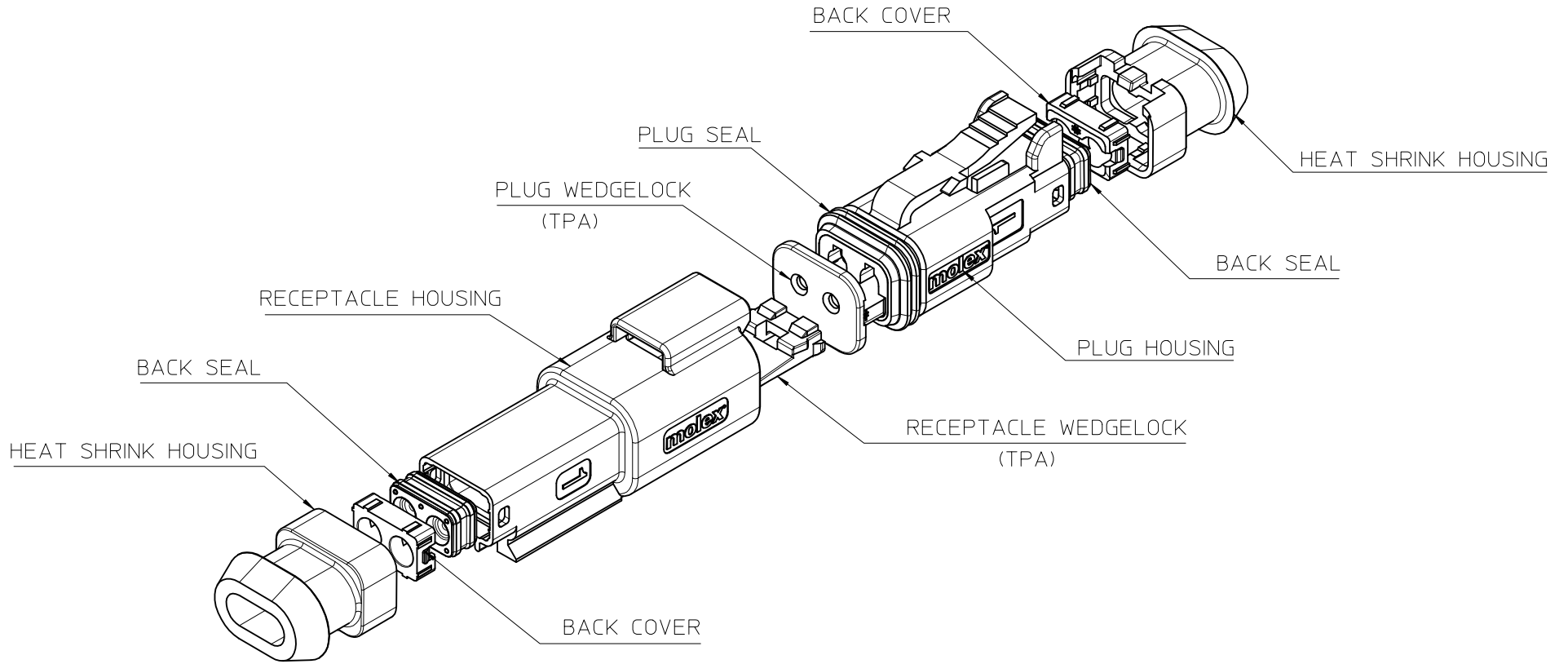


EM-93444-0010



NOTES

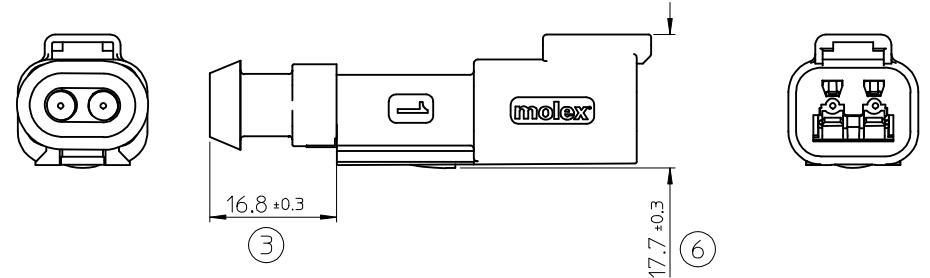
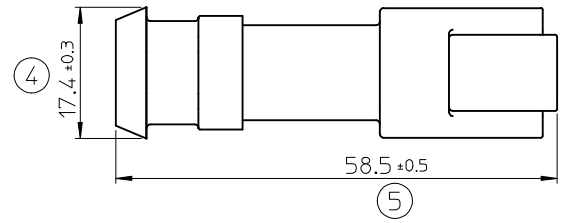
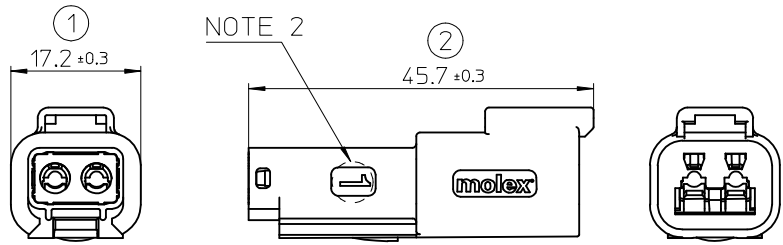
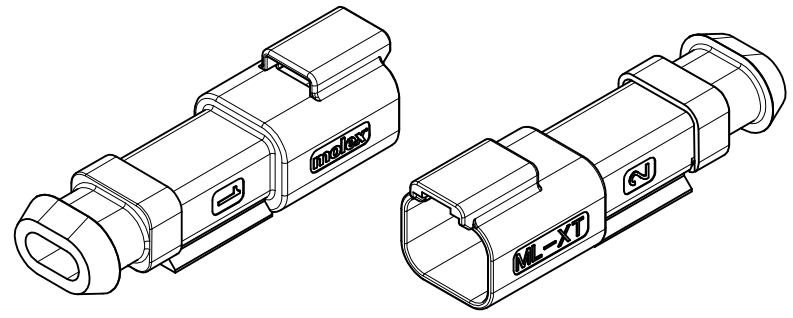
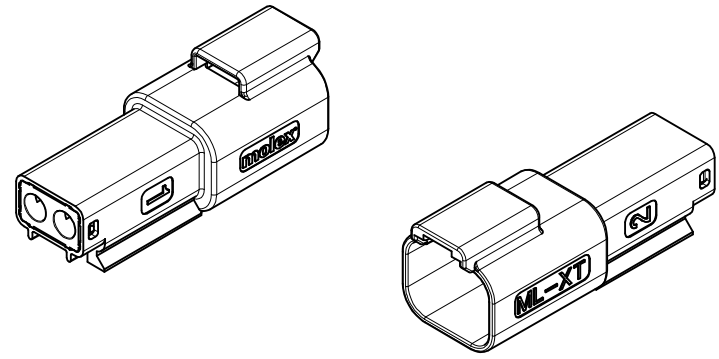
1. SEE SHEETS 2 TO 7 FOR UNSPECIFIED NOTES, DIMENSIONS AND PART NUMBERS

PROPOSAL EC NO: IPG2015-1216 DRWN: JFLETCHER 2015/01/06 CHKD: APPR: JWALLACE 2015/01/12 REV 0	DESCRIPTION QUALITY SYMBOLS $\nabla=0$ $\nabla=0$	GENERAL TOLERANCES (UNLESS SPECIFIED) <table border="1"> <thead> <tr> <th></th> <th>mm</th> <th>INCH</th> </tr> </thead> <tbody> <tr> <td>4 PLACES</td> <td>± ---</td> <td>± ---</td> </tr> <tr> <td>3 PLACES</td> <td>± ---</td> <td>± ---</td> </tr> <tr> <td>2 PLACES</td> <td>± 0.10</td> <td>± ---</td> </tr> <tr> <td>1 PLACE</td> <td>± 0.20</td> <td>± ---</td> </tr> <tr> <td>0 PLACE</td> <td>± ---</td> <td>± ---</td> </tr> </tbody> </table>		mm	INCH	4 PLACES	± ---	± ---	3 PLACES	± ---	± ---	2 PLACES	± 0.10	± ---	1 PLACE	± 0.20	± ---	0 PLACE	± ---	± ---	DIMENSION STYLE <b>MM ONLY</b> DRAWN BY: JFLETCHER DATE: 2013/10/16 CHECKED BY: DATE:	SCALE: 2:1 DESIGN UNITS: METRIC THIRD ANGLE PROJECTION	TITLE: 2CCT ML-XT CV CONNECTOR
		mm	INCH																				
	4 PLACES	± ---	± ---																				
	3 PLACES	± ---	± ---																				
2 PLACES	± 0.10	± ---																					
1 PLACE	± 0.20	± ---																					
0 PLACE	± ---	± ---																					
DRAFT WHERE APPLICABLE MUST REMAIN WITHIN DIMENSIONS	ANGULAR ± .5 °	APPROVED BY: STGRIFFIN DATE: 2013/12/19 MATERIAL NO.	<b>molex</b>																				
SEE NOTES		DOCUMENT NO.: SD-93443-001	SHEET NO.: 1 OF 7																				
THIS DRAWING CONTAINS INFORMATION THAT IS PROPRIETARY TO MOLEX INCORPORATED AND SHOULD NOT BE USED WITHOUT WRITTEN PERMISSION																							

10 9 8 7 6 5 4 3 2 1

2CCT RECEPTACLE CONNECTOR

2CCT RECEPTACLE CONNECTOR WITH HEATSHRINK HOUSING ULTRA SONICALLY WELDED IN PLACE



- NOTES:
- MATERIAL  
HOUSING: NYLON 30%GF  
BACK SEAL: HIGH CONSISTENCY RUBBER
  - CIRCUIT IDENTIFICATION
  - JACKET RANGE LARGE = 2.7MM TO 3.6MM (SEAL COLOUR: LIGHT BLUE)  
JACKET RANGE SMALL = 1.4MM TO 2.7MM (SEAL COLOUR: BURNT ORANGE)
  - SEE SHEET 3 FOR FINAL PART NUMBER DESIGNATION
  - SEE PS-93443-001 FOR PRODUCT SPECIFICATION
  - SEE PK-93443-001 FOR PACKAGING SPECIFICATION
- LAST INSPECTION NUMBER: 6  
INSPECTION NUMBERS 1-50 RESERVED FOR SHEET 2

SEE SHEET 1	REV	DESCRIPTION
6		

QUALITY SYMBOLS	▽=0
	◻=0

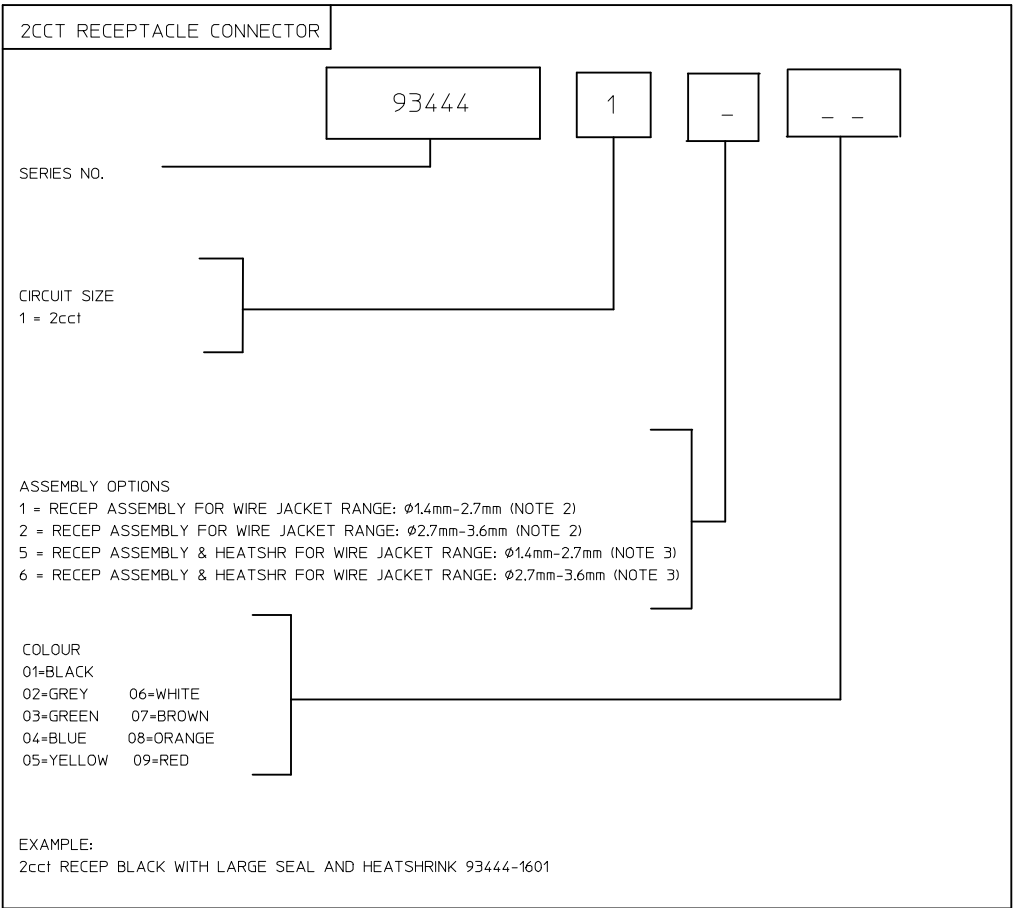
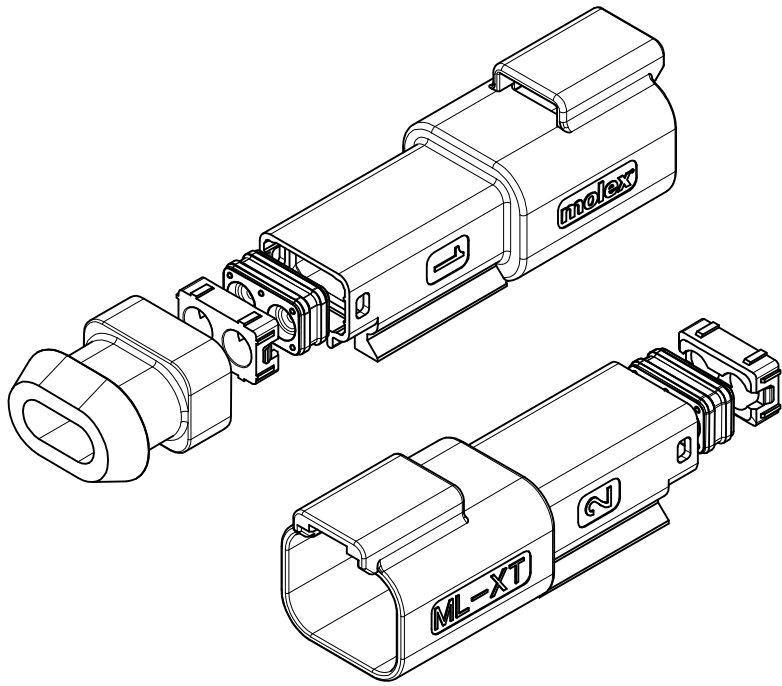
GENERAL TOLERANCES (UNLESS SPECIFIED)	
	mm INCH
4 PLACES	± --- ± ---
3 PLACES	± --- ± ---
2 PLACES	± 0.10 ± ---
1 PLACE	± 0.20 ± ---
0 PLACE	± --- ± ---
ANGULAR ± .5 °	
DRAFT WHERE APPLICABLE MUST REMAIN WITHIN DIMENSIONS	

DIMENSION STYLE	
MM ONLY	
DRAWN BY	DATE
JFLETCHER	2013/10/16
CHECKED BY	DATE
APPROVED BY	DATE
STGRIFFIN	2013/12/19
MATERIAL NO.	

SCALE	DESIGN UNITS
1.5:1	METRIC
THIRD ANGLE PROJECTION	

TITLE		2CCT ML-XT CV CONNECTOR	
DRAWN BY		DATE	
JFLETCHER		2013/10/16	
CHECKED BY		DATE	
APPROVED BY		DATE	
STGRIFFIN		2013/12/19	
MATERIAL NO.		DOCUMENT NO.	
SEE NOTES		SD-93443-001	
SIZE		SHEET NO.	
A3		2 OF 7	

9 8 7 6 5 4 3 2 1



Notes:  
 1. SEE SHEET 2 FOR UNSPECIFIED NOTES AND DIMENSIONS  
 2. BACK COVER HOUSING COLOUR: BLACK  
 3. PLEASE CONTACT MOLEX REGARDING HEATSHRINK HOUSING HEATSHRINK HOUSING COLOUR: BLACK

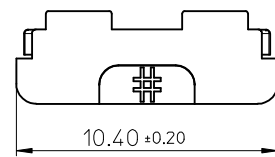
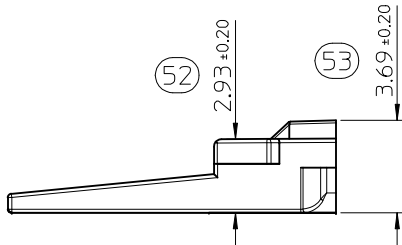
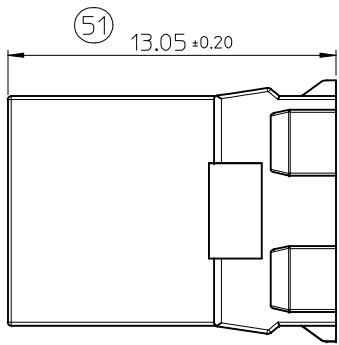
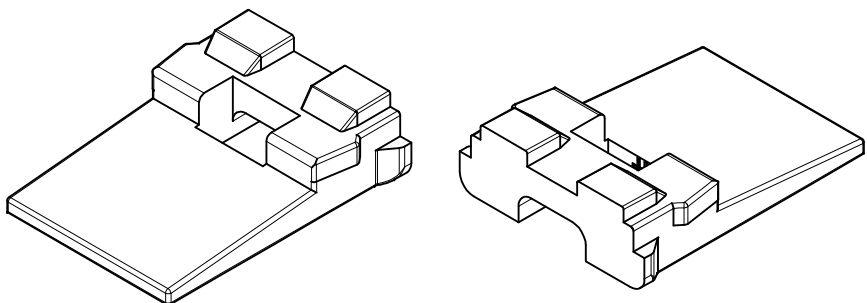
SEE SHEET 1	EC NO: DRWN: JFLETCHER 2015/01/06	QUALITY SYMBOLS $\blacktriangledown = 0$ $\triangleleft = 0$	GENERAL TOLERANCES (UNLESS SPECIFIED)		DIMENSION STYLE <b>MM ONLY</b>	SCALE <b>2:1</b>	DESIGN UNITS <b>METRIC</b>	THIRD ANGLE PROJECTION		
	CH'KD: APPR: JWALLACE 2015/01/12		mm	INCH	DRAWN BY JFLETCHER	DATE 2013/10/16	TITLE <b>2CCT ML-XT CV CONNECTOR</b>			
	REV: 6		4 PLACES	$\pm$ ---	$\pm$ ---	CHECKED BY	DATE	<b>molex</b>		
			3 PLACES	$\pm$ ---	$\pm$ ---	APPROVED BY STGRIFFIN	DATE 2013/12/19			
		2 PLACES	$\pm$ 0.10	$\pm$ ---	SEE NOTES					
		1 PLACE	$\pm$ 0.20	$\pm$ ---	THIS DRAWING CONTAINS INFORMATION THAT IS PROPRIETARY TO MOLEX INCORPORATED AND SHOULD NOT BE USED WITHOUT WRITTEN PERMISSION					
		0 PLACE	$\pm$ ---	$\pm$ ---	DRAFT WHERE APPLICABLE MUST REMAIN WITHIN DIMENSIONS					

2CCT RECEP. WEDGELOCK

SERIES NO. 93447 1 0 --

CIRCUIT SIZE 1 = 2cct

COLOUR/KEYING 03=GREEN



NOTES

- MATERIAL  
HOUSING: NYLON 30%GF
- INSPECTION NUMBERS 51-100  
RESERVED FOR SHEET 4  
LAST INSPECTION NUMBER 54

SEE SHEET 1 EC NO: DRWN: JFLETCHER 2015/01/06 CHKD: APPR: J WALLACE 2015/01/12	QUALITY SYMBOLS	GENERAL TOLERANCES (UNLESS SPECIFIED)	DIMENSION STYLE	SCALE	DESIGN UNITS	THIRD ANGLE PROJECTION	
	▽=0 ∇=0	mm INCH	MM ONLY	5:1	METRIC		
		4 PLACES ± --- ± --- 3 PLACES ± --- ± --- 2 PLACES ± 0.10 ± --- 1 PLACE ± 0.20 ± --- 0 PLACE ± --- ± ---	DRAWN BY DATE JFLETCHER 2013/10/16	TITLE 2CCT ML-XT CV CONNECTOR			
		ANGULAR ± .5 °	CHECKED BY DATE STGRIFFIN 2013/12/19	APPROVED BY DATE STGRIFFIN 2013/12/19			
	DRAFT WHERE APPLICABLE MUST REMAIN WITHIN DIMENSIONS		MATERIAL NO.	DOCUMENT NO.		SHEET NO.	
			SEE NOTES	SD-93443-001		4 OF 7	
			THIS DRAWING CONTAINS INFORMATION THAT IS PROPRIETARY TO MOLEX INCORPORATED AND SHOULD NOT BE USED WITHOUT WRITTEN PERMISSION				

10

9

8

7

6

5

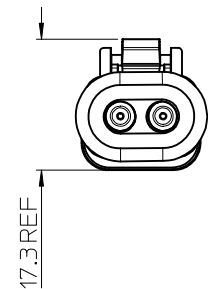
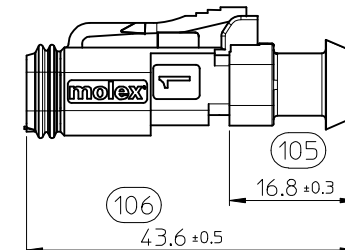
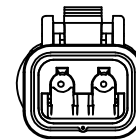
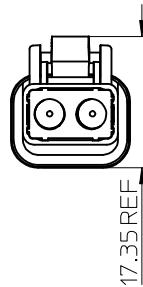
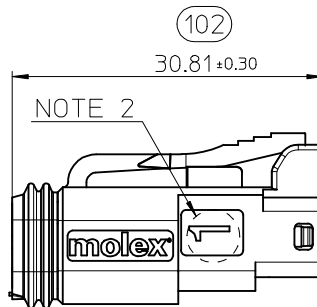
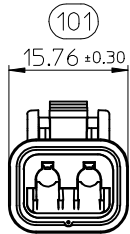
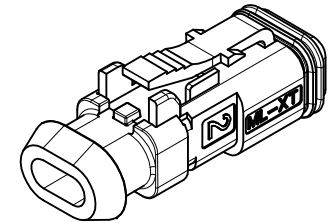
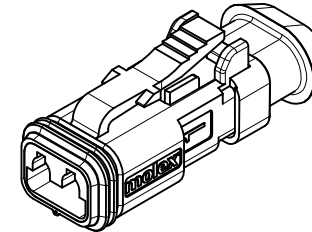
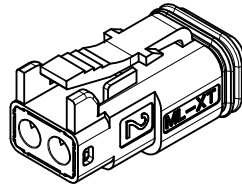
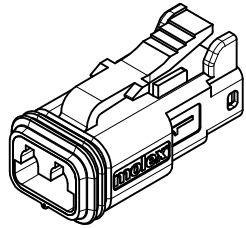
4

3

2

1

2CCT PLUG CONNECTOR

2CCT PLUG CONNECTOR WITH  
HEATSHRINK HOUSING ULTRA SONICALLY  
WELDED IN PLACE

## NOTES

- MATERIAL  
HOUSING: NYLON 30%GF  
PLUG SEAL: SILICONE RUBBER  
BACK SEAL: HIGH CONSISTENCY RUBBER
- CIRCUIT IDENTIFICATION
- JACKET RANGE LARGE = 2.7MM TO 3.6MM (SEAL COLOUR: LIGHT BLUE)  
JACKET RANGE SMALL = 1.4MM TO 2.7MM (SEAL COLOUR: BURNT ORANGE)
- SEE SHEET 6 FOR FINAL PART NUMBER DESIGNATION
- INSPECTION NUMBERS 101-150 RESERVED FOR SHEET 5  
LAST INSPECTION NUMBER 106.  
INSPECTION NUMBERS 103 & 107 DELETED.

SEE SHEET 1	EC NO:	2015/01/06	QUALITY SYMBOLS ▽=0 ◻=0	GENERAL TOLERANCES (UNLESS SPECIFIED)		DIMENSION STYLE MM ONLY		SCALE 1.5:1	DESIGN UNITS METRIC	THIRD ANGLE PROJECTION			
	DRWN:	JFLETCHER		2015/01/12	mm	INCH	DRAWN BY	DATE	TITLE 2CCT ML-XT CV CONNECTOR				
	CHKD:				4 PLACES	± ---	± ---	JFLETCHER	2013/10/16	molex			
	APPR:	JWALLACE		2015/01/12	3 PLACES	± ---	± ---	CHECKED BY	DATE				
REV	0	DESCRIPTION	2 PLACES	± 0.10	± ---	APPROVED BY	DATE	THIS DRAWING CONTAINS INFORMATION THAT IS PROPRIETARY TO MOLEX INCORPORATED AND SHOULD NOT BE USED WITHOUT WRITTEN PERMISSION					
			1 PLACE	± 0.20	± ---	STGRIFFIN	2013/12/19						
			0 PLACE	± ---	± ---	MATERIAL NO.		SEE NOTES					
				ANGULAR ± .5 °		SIZE A3							
				DRAFT WHERE APPLICABLE MUST REMAIN WITHIN DIMENSIONS									

9

8

7

6

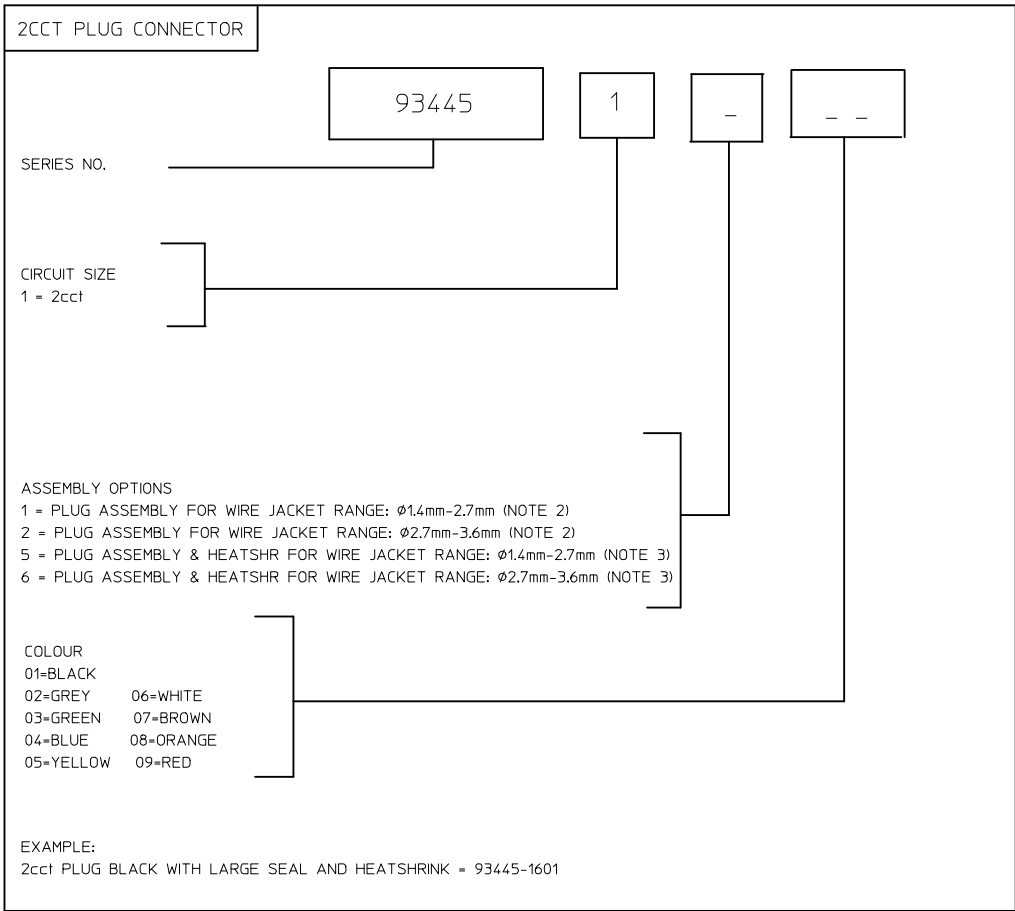
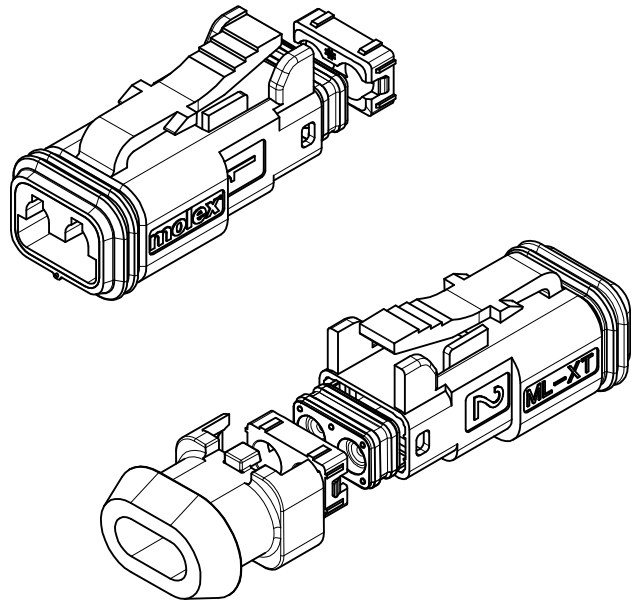
5

4

3

2

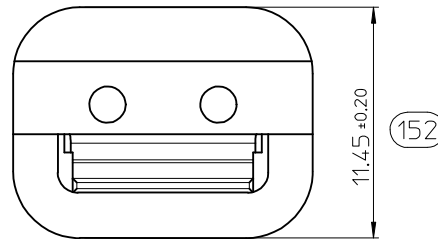
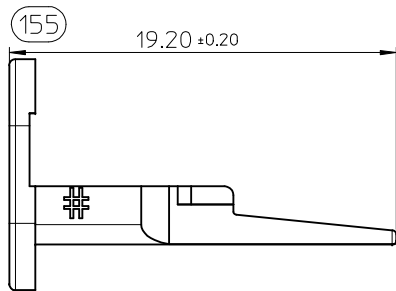
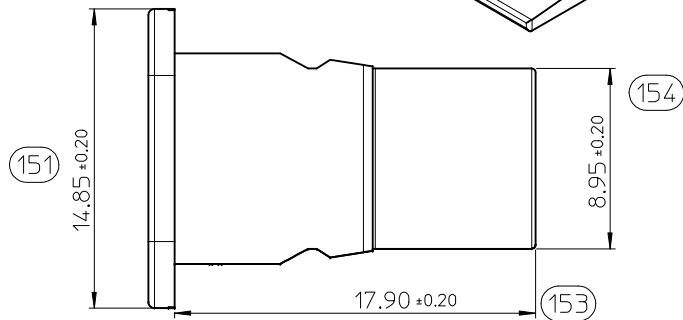
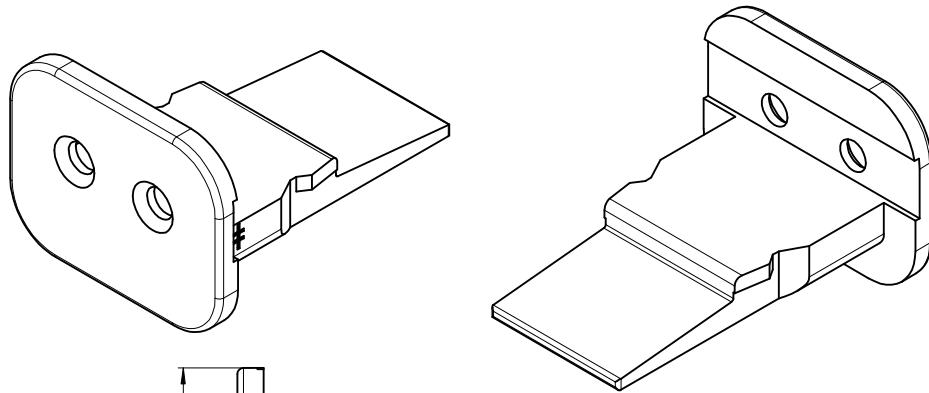
1



NOTES

- SEE SHEET 5 FOR UNSPECIFIED NOTES AND DIMENSIONS
- BACK COVER HOUSING COLOUR: BLACK
- PLEASE CONTACT MOLEX REGARDING HEATSHRINK HOUSING HEATSHRINK HOUSING COLOUR: BLACK

SEE SHEET 1	EC NO: 2015/01/06	DRWN: JFLETCHER	2015/01/06	QUALITY SYMBOLS ▽=0 ◻=0	GENERAL TOLERANCES (UNLESS SPECIFIED)		DIMENSION STYLE MM ONLY		SCALE 2:1	DESIGN UNITS METRIC	THIRD ANGLE PROJECTION		
	CHKD:	APPR: JWALLACE	2015/01/12		DESCRIPTION	mm	INCH	DRAWN BY JFLETCHER	DATE 2013/10/16	TITLE 2CCT ML-XT CV CONNECTOR			
	REV	0				4 PLACES	± ---	± ---	CHECKED BY	DATE	APPROVED BY STGRIFFIN		
						3 PLACES	± ---	± ---			DATE 2013/12/19		
					2 PLACES	± 0.10	± ---			MATERIAL NO.			
					1 PLACE	± 0.20	± ---			DOCUMENT NO.			
					0 PLACE	± ---	± ---			SHEET NO.			
					ANGULAR ± .5 °		DRAFT WHERE APPLICABLE MUST REMAIN WITHIN DIMENSIONS		SEE NOTES				
					SIZE A3		THIS DRAWING CONTAINS INFORMATION THAT IS PROPRIETARY TO MOLEX INCORPORATED AND SHOULD NOT BE USED WITHOUT WRITTEN PERMISSION						



2CCT PLUG WEDGELOCK

SERIES NO. 93448

CIRCUIT SIZE 1 = 2cct

COLOUR/KEYING 03=GREEN

1 0 --

- NOTES
- MATERIAL  
HOUSING: NYLON 30%GF
  - INSPECTION NUMBERS 151-200 RESERVED FOR SHEET 7  
LAST INSPECTION NUMBER 155

SEE SHEET 1	EC NO: 2015/01/06	DRWN: JFLETCHER	DATE: 2015/01/12	QUALITY SYMBOLS ▽=0 ◻=0	GENERAL TOLERANCES (UNLESS SPECIFIED)		DIMENSION STYLE MM ONLY		SCALE 4:1	DESIGN UNITS METRIC	THIRD ANGLE PROJECTION		
	CHKD:	APPR: JWALLACE	DATE: 2015/01/12		mm	INCH	DRAWN BY JFLETCHER	DATE 2013/10/16	TITLE 2CCT ML-XT CV CONNECTOR				
	REV: 0	DESCRIPTION			4 PLACES	± ---	± ---	CHECKED BY	DATE	APPROVED BY STGRIFFIN			
					3 PLACES	± ---	± ---			DATE 2013/12/19			
				2 PLACES	± 0.10	± ---			MATERIAL NO.				
				1 PLACE	± 0.20	± ---			DOCUMENT NO.				
				0 PLACE	± ---	± ---			SHEET NO.				
				ANGULAR ± .5 °				SEE NOTES					
				DRAFT WHERE APPLICABLE MUST REMAIN WITHIN DIMENSIONS				SD-93443-001					
							SIZE A3	THIS DRAWING CONTAINS INFORMATION THAT IS PROPRIETARY TO MOLEX INCORPORATED AND SHOULD NOT BE USED WITHOUT WRITTEN PERMISSION					