

NOTES

1. SEE SHEETS 2 TO 7 FOR ALL UNSPECIFIED NOTES, DIMENSIONS AND PART NUMBERS

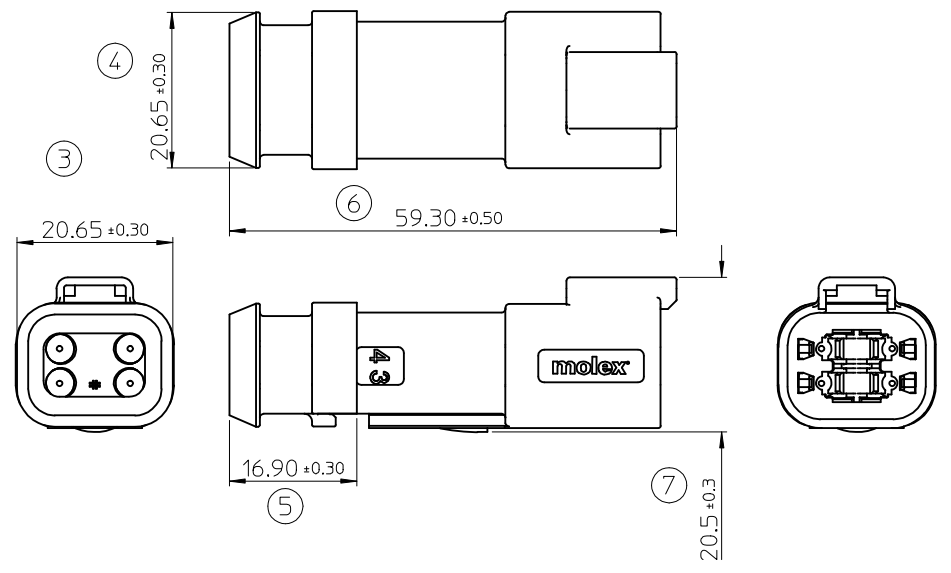
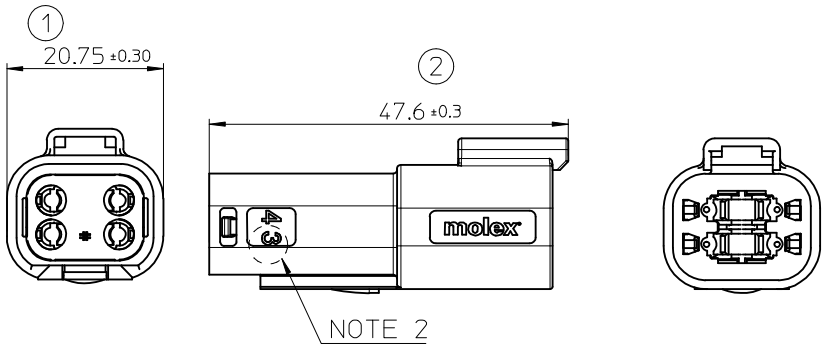
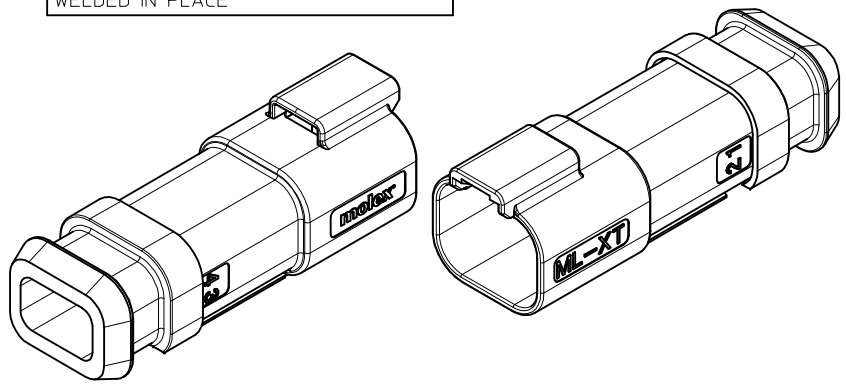
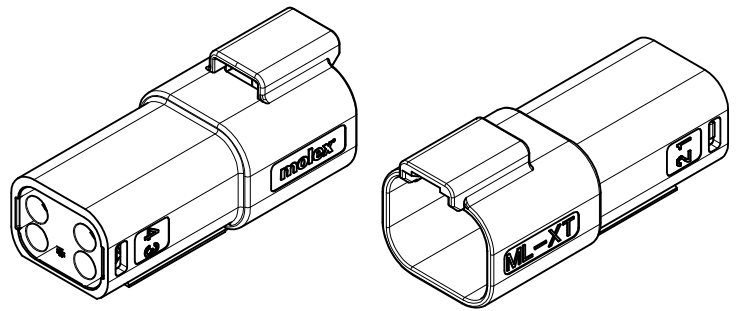
PROPOSED EC NO: IPG2015-1216 DRWN: JFLETCHER 2015/01/06 CHKD: APPR: JWALLACE 2015/01/12 REV 2	QUALITY SYMBOLS	GENERAL TOLERANCES (UNLESS SPECIFIED)	DIMENSION STYLE	SCALE	DESIGN UNITS	THIRD ANGLE PROJECTION
	$\nabla=0$ $\nabla=0$	mm    INCH 4 PLACES ± --- ± --- 3 PLACES ± --- ± --- 2 PLACES ± 0.10 ± --- 1 PLACE ± 0.20 ± --- 0 PLACE ± --- ± --- ANGULAR ± .5 °	MM ONLY	2:1	METRIC	
	DESCRIPTION	DRAFT WHERE APPLICABLE MUST REMAIN WITHIN DIMENSIONS	DRAWN BY: JFLETCHER    DATE: 2013/10/18 CHECKED BY:    DATE:	TITLE: 4CCT ML-XT CV CONNECTOR		
			APPROVED BY: JWALLACE    DATE: 2014/10/01 MATERIAL NO.	DOCUMENT NO. SD-93443-003		SHEET NO. 1 OF 7

SEE NOTES  
 THIS DRAWING CONTAINS INFORMATION THAT IS PROPRIETARY TO MOLEX INCORPORATED AND SHOULD NOT BE USED WITHOUT WRITTEN PERMISSION

10 9 8 7 6 5 4 3 2 1

4CCT RECEPTACLE CONNECTOR

4CCT RECEPTACLE CONNECTOR WITH HEATSHRINK HOUSING ULTRA SONICALLY WELDED IN PLACE



- NOTES
- HOUSING: NYLON 30% GF
  - BACK SEAL: HIGH CONSISTENCY RUBBER
  - 2. CIRCUIT IDENTIFICATION
  - 3. JACKET RANGE LARGE = Ø2.7MM TO 3.6MM (SEAL COLOUR: LIGHT BLUE)  
JACKET RANGE SMALL = Ø1.4MM TO 2.7MM (SEAL COLOUR: BURNT ORANGE)
  - 4. SEE SHEET 3 FOR FINAL PART NUMBER DESIGNATION
  - 5. SEE PS-93443-001 FOR PRODUCT SPECIFICATION
  - 6. SEE PK-93443-001 FOR PACKAGING SPECIFICATION
  - 7. INSPECTION NUMBERS 1-50 RESERVED FOR SHEET 2  
LAST INSPECTION NUMBER 7

SEE SHEET 1	EC NO:	2015/01/06
	DRWN: JFLETCHER	2015/01/06
2	CHKD:	
	APPR: JWALLACE	2015/01/12
REV	DESCRIPTION	

QUALITY SYMBOLS

▽=0

∇=0

GENERAL TOLERANCES (UNLESS SPECIFIED)

	mm	INCH
4 PLACES	± ---	± ---
3 PLACES	± ---	± ---
2 PLACES	± 0.10	± ---
1 PLACE	± 0.20	± ---
0 PLACE	± ---	± ---

ANGULAR ± .5 °

DRAFT WHERE APPLICABLE MUST REMAIN WITHIN DIMENSIONS

DIMENSION STYLE

MM ONLY

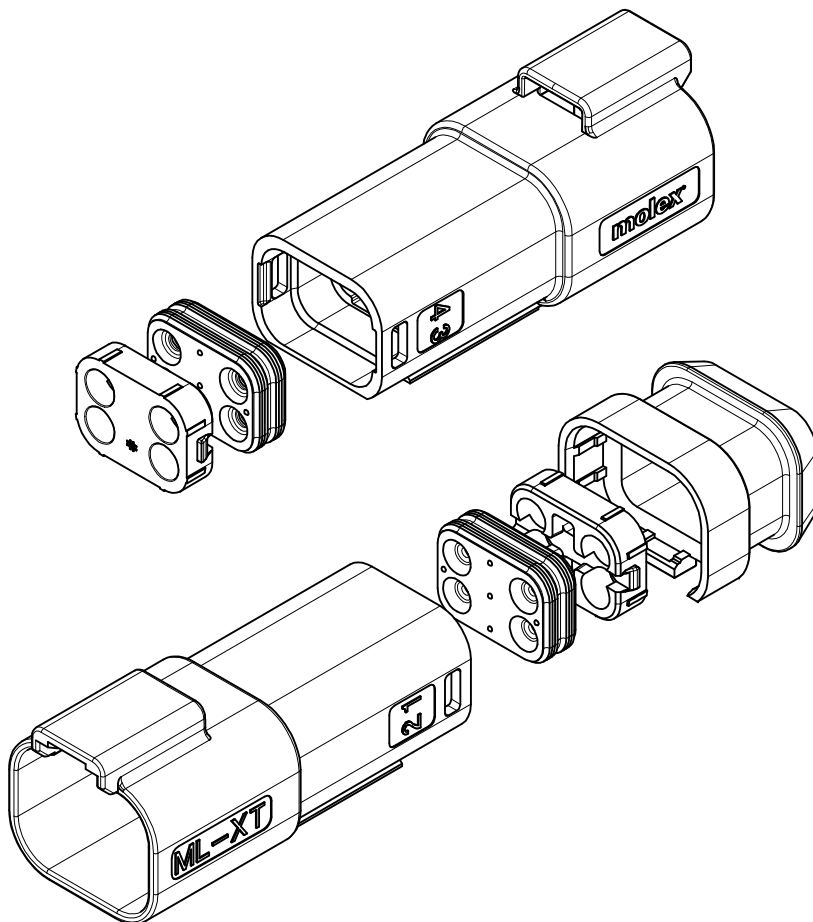
DRAWN BY	DATE
JFLETCHER	2013/10/18
CHECKED BY	DATE
APPROVED BY	DATE
JWALLACE	2014/10/01
MATERIAL NO.	

SEE NOTES

SCALE	DESIGN UNITS	THIRD ANGLE PROJECTION
1.5:1	METRIC	☉ □
TITLE		
4CCT ML-XT CV CONNECTOR		
DOCUMENT NO.		SHEET NO.
SD-93443-003		2 OF 7
THIS DRAWING CONTAINS INFORMATION THAT IS PROPRIETARY TO MOLEX INCORPORATED AND SHOULD NOT BE USED WITHOUT WRITTEN PERMISSION		

9 8 7 6 5 4 3 2 1

4CCT RECEPTACLE CONNECTOR



93444 3 - - -

SERIES NO.

CIRCUIT SIZE  
3 = 4cct

ASSEMBLY OPTIONS

- 1 = RECEP ASSEMBLY FOR WIRE JACKET RANGE:  $\phi$ 1.4mm-2.7mm (NOTE 2)
- 2 = RECEP ASSEMBLY FOR WIRE JACKET RANGE:  $\phi$ 2.7mm-3.6mm (NOTE 2)
- 5 = RECEP ASSEMBLY & HEATSHRINK FOR WIRE JACKET RANGE:  $\phi$ 1.4mm-2.7mm (NOTE 3)
- 6 = RECEP ASSEMBLY & HEATSHRINK FOR WIRE JACKET RANGE:  $\phi$ 2.7mm-3.6mm (NOTE 3)

COLOUR

- 01=BLACK
- 02=GREY
- 03=GREEN
- 04=BLUE
- 05=YELLOW
- 06=WHITE
- 07=BROWN
- 08=ORANGE
- 09=RED

EXAMPLE:

4cct RECEP BLACK WITH LARGE SEAL AND HEATSHRINK = 93444-3601

- NOTES
1. SEE SHEET 2 FOR UNSPECIFIED NOTES AND DIMENSIONS
  2. BACK COVER HOUSING COLOUR BLACK
  3. PLEASE CONTACT MOLEX REGARDING HEATSHRINK HOUSING (HEATSHRINK HOUSING COLOUR: BLACK)

SEE SHEET 1	EC NO:	2015/01/06	QUALITY SYMBOLS	GENERAL TOLERANCES (UNLESS SPECIFIED)		DIMENSION STYLE		SCALE	DESIGN UNITS	THIRD ANGLE PROJECTION	
	DRWN:	JFLETCHER		mm	INCH	MM ONLY	2:1	METRIC			
	CHKD:			4 PLACES	$\pm$ ---	$\pm$ ---	DRAWN BY	DATE	TITLE		
	APPR:	JWALLACE		3 PLACES	$\pm$ ---	$\pm$ ---	JFLETCHER	2013/10/18	4CCT ML-XT CV CONNECTOR		
REV		2 PLACES	$\pm$ 0.10	$\pm$ ---	CHECKED BY	DATE					
		1 PLACE	$\pm$ 0.20	$\pm$ ---	APPROVED BY	DATE					
		0 PLACE	$\pm$ ---	$\pm$ ---	JWALLACE	2014/10/01					
		ANGULAR $\pm$ .5 °		DRAFT WHERE APPLICABLE MUST REMAIN WITHIN DIMENSIONS		MATERIAL NO.		DOCUMENT NO.		SHEET NO.	
						SEE NOTES		SD-93443-003		3 OF 7	
						SIZE A3		THIS DRAWING CONTAINS INFORMATION THAT IS PROPRIETARY TO MOLEX INCORPORATED AND SHOULD NOT BE USED WITHOUT WRITTEN PERMISSION			



10 9 8 7 6 5 4 3 2 1

F

E

D

C

B

A

F

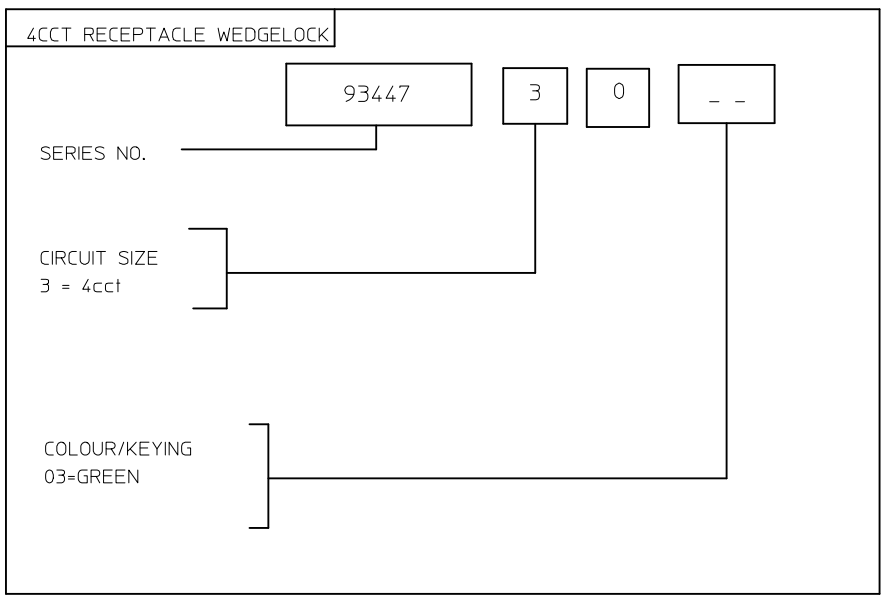
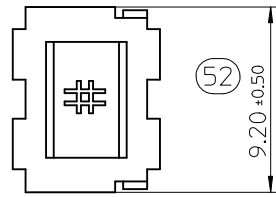
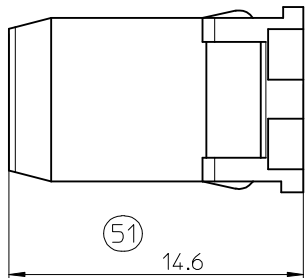
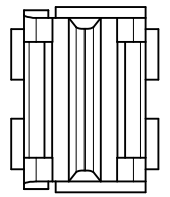
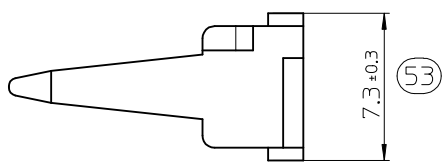
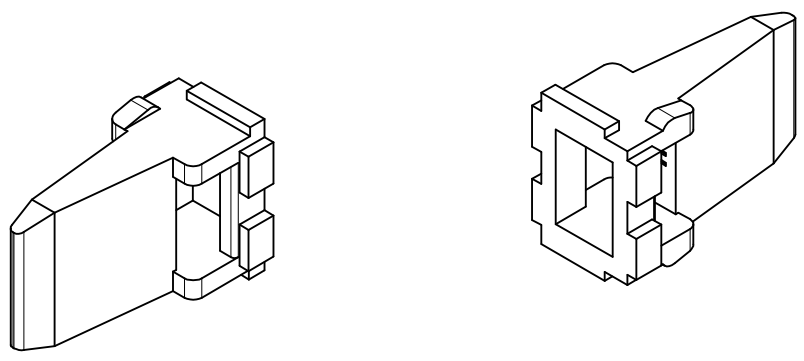
E

D

C

B

A



NOTES

- MATERIAL  
HOUSING: NYLON 30%GF
- INSPECTION NUMBERS 51-100  
RESERVED FOR SHEET 4  
LAST INSPECTION NUMBER 53

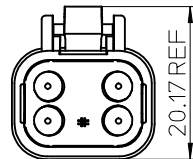
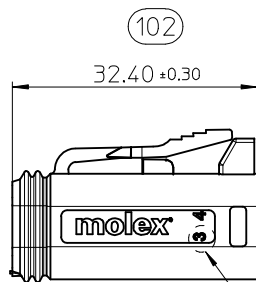
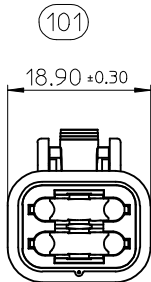
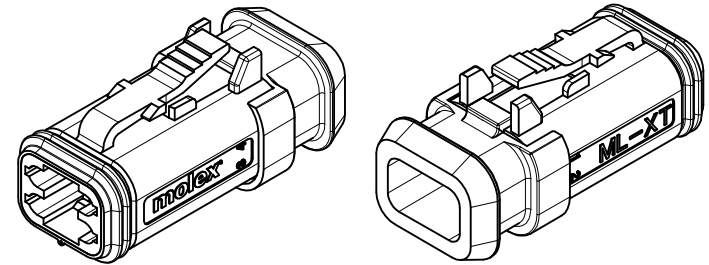
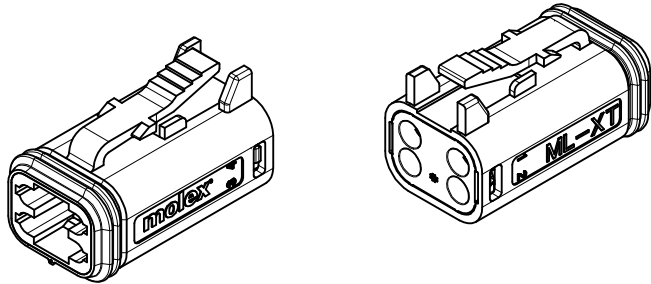
SEE SHEET 1	EC NO:	2015/01/06	DESCRIPTION	QUALITY SYMBOLS ▽=0 ◻=0	GENERAL TOLERANCES (UNLESS SPECIFIED)		DIMENSION STYLE MM ONLY		SCALE 4:1	DESIGN UNITS METRIC	THIRD ANGLE PROJECTION		
	DRWN:	JFLETCHER			mm	INCH	DRAWN BY JFLETCHER	DATE 2013/10/18	TITLE 4CCT ML-XT CV CONNECTOR				
	CHKD:				4 PLACES ± --- ± ---	3 PLACES ± --- ± ---	CHECKED BY	DATE					
	APPR:	JWALLACE			2015/01/12	2 PLACES ± 0.10 ± ---	1 PLACE ± 0.20 ± ---	APPROVED BY JWALLACE	DATE 2014/10/01				
REV			0 PLACE ± --- ± ---	ANGULAR ± .5 °	MATERIAL NO.	DOCUMENT NO.	SHEET NO. 4 OF 7						
			DRAFT WHERE APPLICABLE MUST REMAIN WITHIN DIMENSIONS	SIZE A3	SEE NOTES							THIS DRAWING CONTAINS INFORMATION THAT IS PROPRIETARY TO MOLEX INCORPORATED AND SHOULD NOT BE USED WITHOUT WRITTEN PERMISSION	

9 8 7 6 5 4 3 2 1

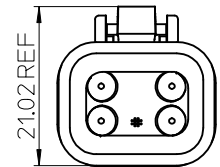
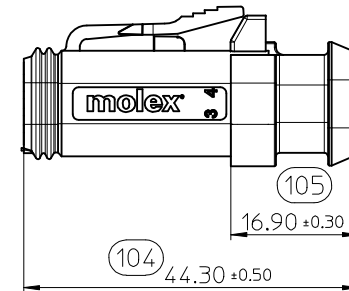
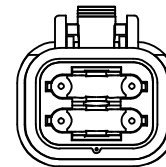
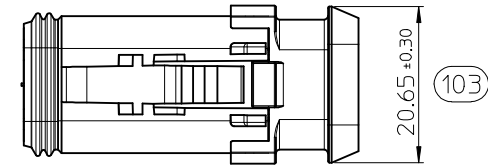
10 9 8 7 6 5 4 3 2 1

4CCT PLUG CONNECTOR

4CCT PLUG CONNECTOR WITH HEATSHRINK HOUSING ULTRA SONICALLY WELDED IN PLACE



NOTE 2



NOTES

- MATERIAL:  
HOUSING: NYLON 30% GF  
PLUG SEAL: SILICONE RUBBER  
BACK SEAL: HIGH CONSISTENCY RUBBER
- CIRCUIT IDENTIFICATION
- JACKET RANGE LARGE =  $\phi$ 2.7MM TO 3.6MM (SEAL COLOUR: LIGHT BLUE)  
JACKET RANGE SMALL =  $\phi$ 1.4MM TO 2.7MM (SEAL COLOUR: BURNT ORANGE)
- SEE SHEET 6 FOR FINAL PART NUMBER DESIGNATION
- INSPECTION NUMBERS 101-150 RESERVED FOR SHEET 5  
LAST INSPECTION NUMBER 105

SEE SHEET 1	EC NO:	2015/01/06
	DRWN: JFLETCHER	2015/01/12
2	CHKD:	
	APPR: JWALLACE	
REV	DESCRIPTION	

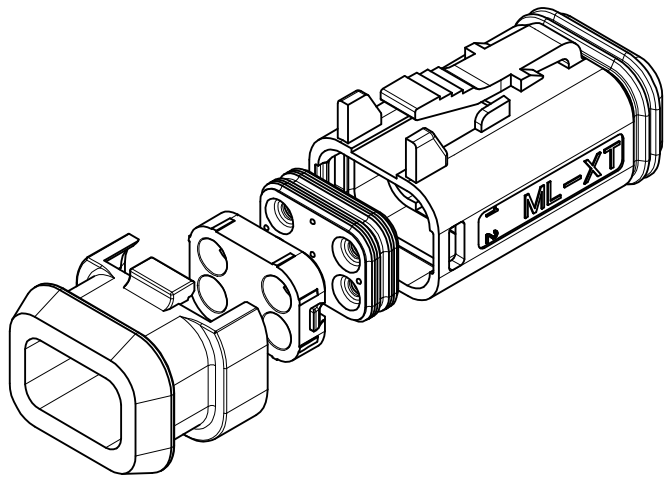
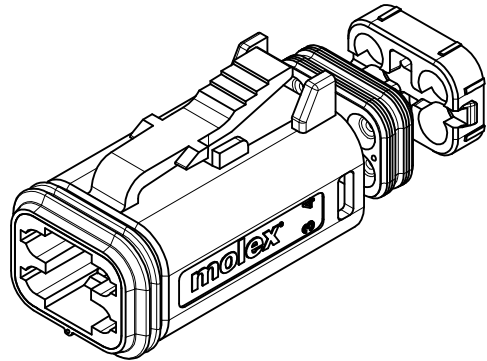
QUALITY SYMBOLS
$\nabla=0$
$\sphericalangle=0$

GENERAL TOLERANCES (UNLESS SPECIFIED)	
	mm INCH
4 PLACES	$\pm$ --- $\pm$ ---
3 PLACES	$\pm$ --- $\pm$ ---
2 PLACES	$\pm$ 0.10 $\pm$ ---
1 PLACE	$\pm$ 0.20 $\pm$ ---
0 PLACE	$\pm$ --- $\pm$ ---
ANGULAR $\pm$ .5 °	
DRAFT WHERE APPLICABLE MUST REMAIN WITHIN DIMENSIONS	

DIMENSION STYLE	
MM ONLY	
DRAWN BY	DATE
JFLETCHER	2013/10/18
CHECKED BY	DATE
APPROVED BY	DATE
JWALLACE	2014/10/01
MATERIAL NO.	
SEE NOTES	
SIZE	A3

SCALE	DESIGN UNITS	THIRD ANGLE PROJECTION
1.5:1	METRIC	
TITLE		
4CCT ML-XT CV CONNECTOR		
DOCUMENT NO.		SHEET NO.
SD-93443-003		5 OF 7
THIS DRAWING CONTAINS INFORMATION THAT IS PROPRIETARY TO MOLEX INCORPORATED AND SHOULD NOT BE USED WITHOUT WRITTEN PERMISSION		

9 8 7 6 5 4 3 2 1



**4CCT PLUG CONNECTOR**

SERIES NO. 93445

CIRCUIT SIZE 3 - 4cct

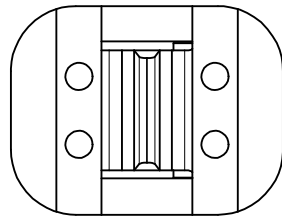
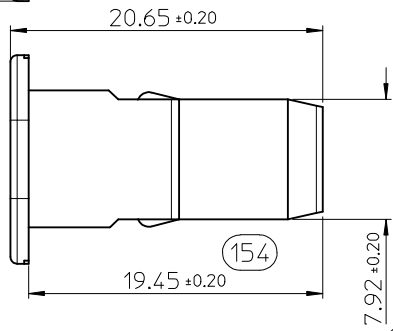
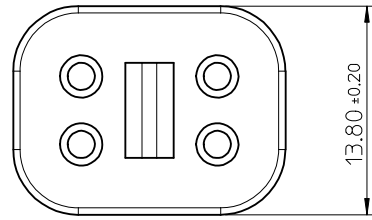
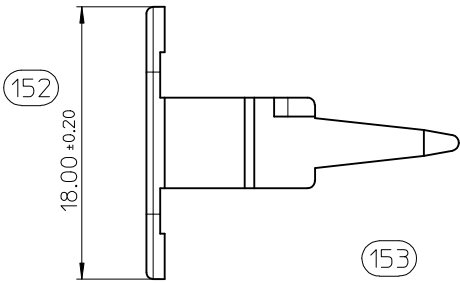
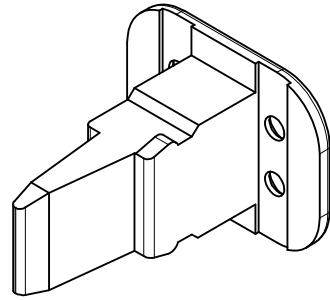
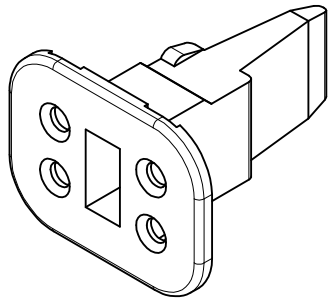
ASSEMBLY OPTIONS  
 1 = PLUG ASSEMBLY FOR WIRE JACKET RANGE:  $\phi$ 1.4mm-2.7mm (NOTE 2)  
 2 = PLUG ASSEMBLY FOR WIRE JACKET RANGE:  $\phi$ 2.7mm-3.6mm (NOTE 2)  
 5 = PLUG ASSEMBLY & HEATSHRINK FOR WIRE JACKET RANGE:  $\phi$ 1.4mm-2.7mm (NOTE 3)  
 6 = PLUG ASSEMBLY & HEATSHRINK FOR WIRE JACKET RANGE:  $\phi$ 2.7mm-3.6mm (NOTE 3)

COLOUR  
 01=BLACK 06=WHITE  
 02=GREY 07=BROWN  
 03=GREEN 08=ORANGE  
 04=BLUE 09=RED  
 05=YELLOW

EXAMPLE:  
 4CCT PLUG BLACK WITH LARGE SEAL AND HEATSHRINK = 93444-3601

- NOTES
- SEE SHEET 5 FOR UNSPECIFIED NOTES AND DIMENSIONS
  - BACK COVER HOUSING COLOUR BLACK
  - PLEASE CONTACT MOLEX REGARDING HEATSHRINK HOUSING (HEATSHRINK HOUSING COLOUR: BLACK)

SEE SHEET 1	EC NO: 2015/01/06	DRWN: JFLETCHER	2015/01/06	QUALITY SYMBOLS ▽=0 ◻=0	GENERAL TOLERANCES (UNLESS SPECIFIED)		DIMENSION STYLE MM ONLY		SCALE 2:1	DESIGN UNITS METRIC	THIRD ANGLE PROJECTION		
	CHKD:	APPR: JWALLACE	2015/01/12			mm	INCH	DRAWN BY JFLETCHER	DATE 2013/10/18	TITLE 4CCT ML-XT CV CONNECTOR			
	REV					4 PLACES	± ---	± ---	CHECKED BY	DATE	APPROVED BY DATE 2014/10/01		
						3 PLACES	± ---	± ---	MATERIAL NO.		DOCUMENT NO.		
					2 PLACES	± 0.10	± ---	SEE NOTES		SD-93443-003			
					1 PLACE	± 0.20	± ---	DRAFT WHERE APPLICABLE MUST REMAIN WITHIN DIMENSIONS		SHEET NO. 6 OF 7			
					0 PLACE	± ---	± ---	SIZE A3		THIS DRAWING CONTAINS INFORMATION THAT IS PROPRIETARY TO MOLEX INCORPORATED AND SHOULD NOT BE USED WITHOUT WRITTEN PERMISSION			



**4CCT PLUG WEDGELOCK**

SERIES NO. 93448 3 0 --

CIRCUIT SIZE 3 = 4cct

COLOUR/KEYING 03=GREEN

**NOTES**

- MATERIAL  
HOUSING: NYLON 30%GF
- INSPECTION NUMBERS 151-200  
RESERVED FOR SHEET 7  
LAST INSPECTION NUMBER 155

SEE SHEET 1 EC NO: 2015/01/06 DRWN: JFLETCHER CHKD: JWALLACE APPR: JWALLACE 2015/01/12	QUALITY SYMBOLS	GENERAL TOLERANCES (UNLESS SPECIFIED)	DIMENSION STYLE	SCALE	DESIGN UNITS	THIRD ANGLE PROJECTION
	▽=0 ◻=0	mm INCH 4 PLACES ± --- ± --- 3 PLACES ± --- ± --- 2 PLACES ± 0.10 ± --- 1 PLACE ± 0.20 ± --- 0 PLACE ± --- ± ---	MM ONLY	3:1	METRIC	
	DESCRIPTION	ANGULAR ± .5 °	DRAWN BY DATE	TITLE		
	REV	DRAFT WHERE APPLICABLE MUST REMAIN WITHIN DIMENSIONS	JFLETCHER 2013/10/18	4CCT ML-XT CV CONNECTOR		
			CHECKED BY DATE	DOCUMENT NO.		
			APPROVED BY DATE	SHEET NO.		
			JWALLACE 2014/10/01	7 OF 7		
			MATERIAL NO.	THIS DRAWING CONTAINS INFORMATION THAT IS PROPRIETARY TO MOLEX INCORPORATED AND SHOULD NOT BE USED WITHOUT WRITTEN PERMISSION		
			SEE NOTES	SD-93443-003		