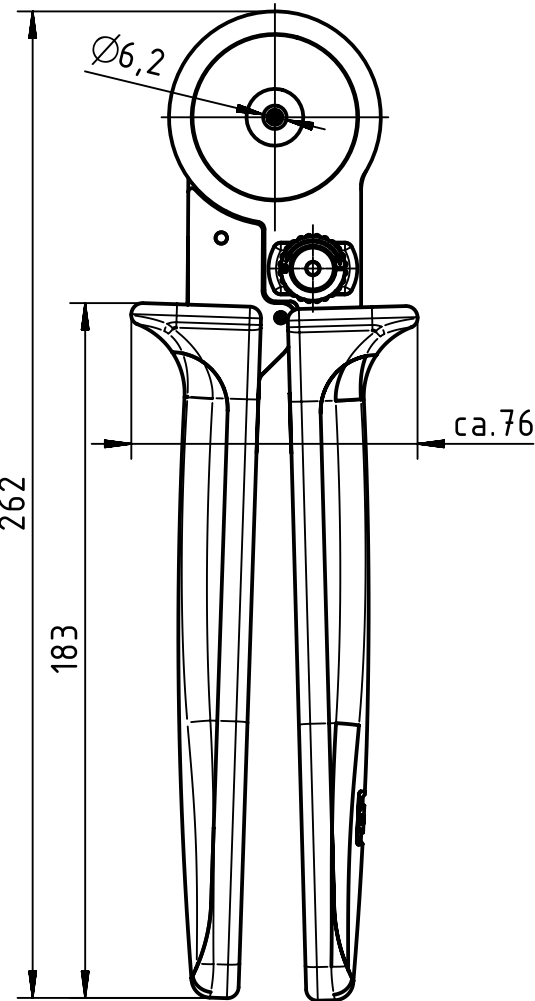
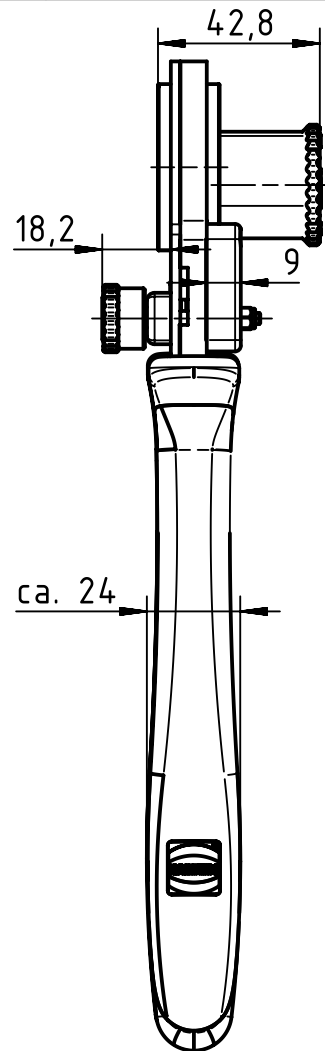


A

B

C

D

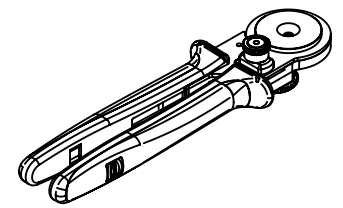


wire gauge range:
0,14-4mm²
AWG 26-12

Han D:
0,14-2,5mm²
AWG 26-14

Han E/Yellock:
0,14-4,0mm²
AWG 26-12

Han C:
1,5-4,0mm²
AWG 16-12



Setting for the crimping depth

Contacts	mm ²	AWG	Crimping depth
Han D®	0,14	26	1,00
	0,25	24	1,10
	0,37	22	1,20
	0,5	20	1,32
	0,75	18	1,32
	1,0	18	1,35
	1,5	16	1,47
Han E®	2,5	14	1,50
	0,14	26	1,00
	0,25	24	1,00
	0,37	22	1,05
	0,5	20	1,36
	0,75	18	1,36
	1,0	18	1,36
	1,5	16	1,50
	2,5	14	1,60
	3,0	12	1,70
Han® C	4,0	12	1,80
	1,5	16	1,40
	2,5	14	1,50
Han-Yellock®	4,0	12	1,75
	0,14	26	1,00
	0,25	24	1,00
	0,37	22	1,05
	0,5	20	1,10
	0,75	18	1,20
	1,0	18	1,20
	1,5	16	1,30
	2,5	14	1,55
	3,0	12	1,70
4,0	12	1,80	

	All rights reserved Department EL PD - DE HARTING Electric GmbH & Co. KG D-32339 Espelkamp	All Dimensions in mm Original Size DIN A4	Scale 1:2 Free size tol.	Ref. Sub.
		Created by FINKEV Inspected by RIEPE Standardisation TIEMANNA Date 2014-09-24 State Final Release	Title HARTING four-indent crimp tool Type TB Number 09 99 000 0888	Doc-Key / ECM-Nr. 100572668/UGD/001/C 500000080123 Rev. C Page 1/1