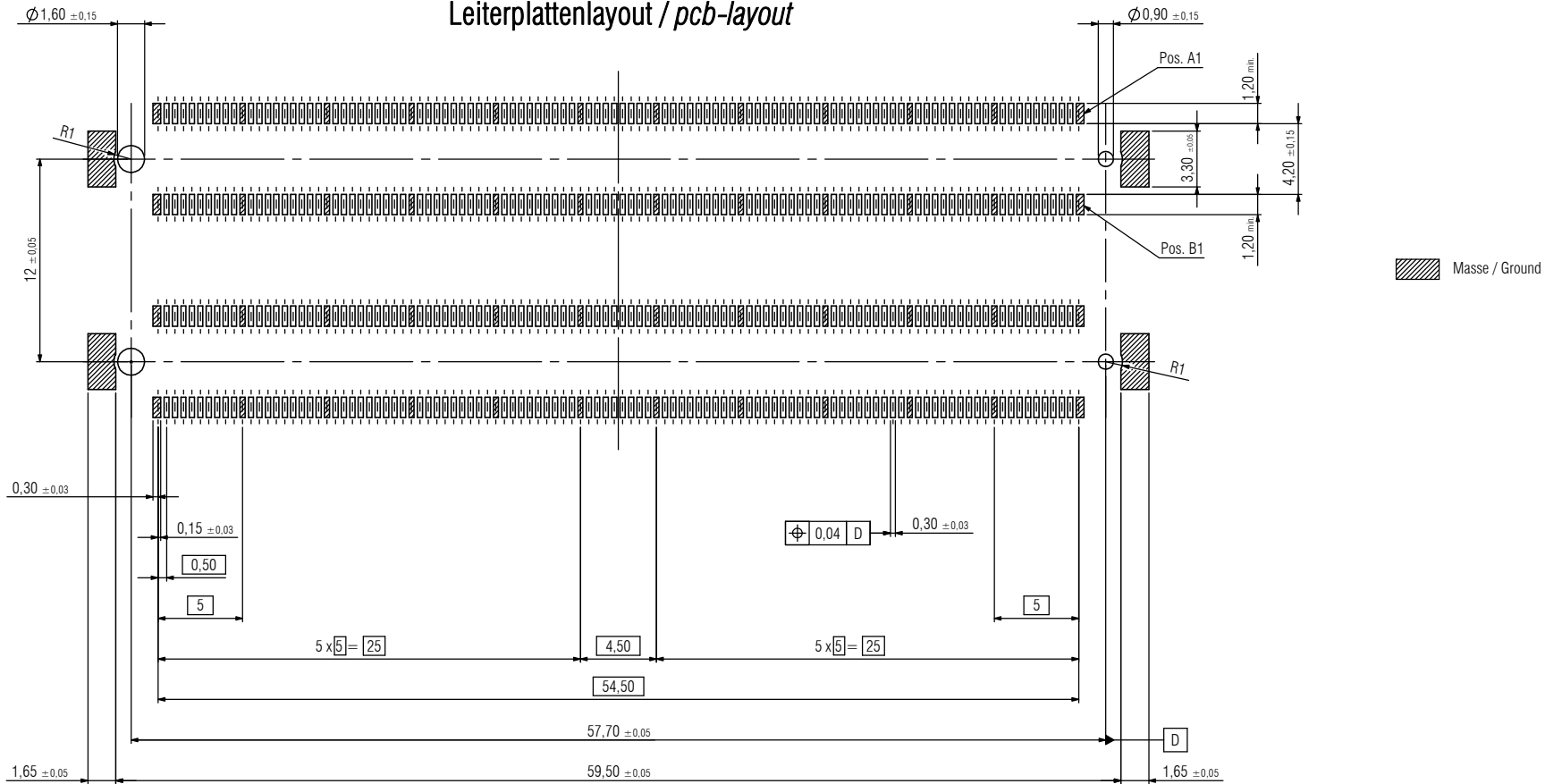
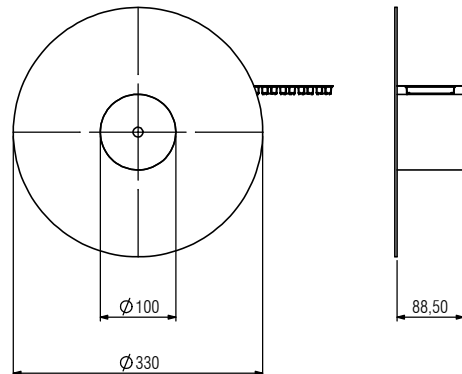


Leiterplattenlayout / pcb-layout



Verpackung / Packaging

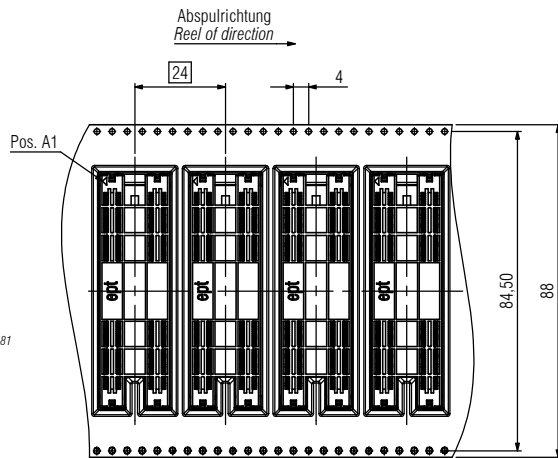


Bemerkungen:

Verpackung nach DIN EN 60286-3 und EIA-481
 Vorlauf: 100mm
 Nachlauf: 150mm
 Stück je Rolle: 240

Notes:

Packaging is defined in DIN EN 60286-3 and EIA-481
 Leader: 100mm
 Trailer: 150mm
 Parts per reel: 240



Werkstoff / Material:		Allgemeintoleranz / General tolerances DIN ISO 2768 - m		Maßstab / Scale: 2:1	
		Toleranzangabe nach / Fundamental tolerancing principle DIN ISO 8015		A2	
		Datum / Date		Name / Name	
Ekt./Drawn		24.01.2013		F. Kusterer	
Bsp./Imp.					
02 pcb-layout change		20.11.2014		C. Veldeke	
01 MSL added		16.05.2013		S. Schol	
00 first edition		24.01.2013		F. Kusterer	
Version / Revision		Datum / Date		Name / Name	
Zielformel / Drawing number				Blatt / Sheet	
401-55501-51				3 / 3	
ept ept GmbH www.ept.de				C Status / Status	

© The reproduction, distribution and utilization of this document as well as the communication of its contents without express authorization is prohibited. Offenders will be held liable for the payment of damages. All rights reserved in the event of the grant of a patent, utility model or design.