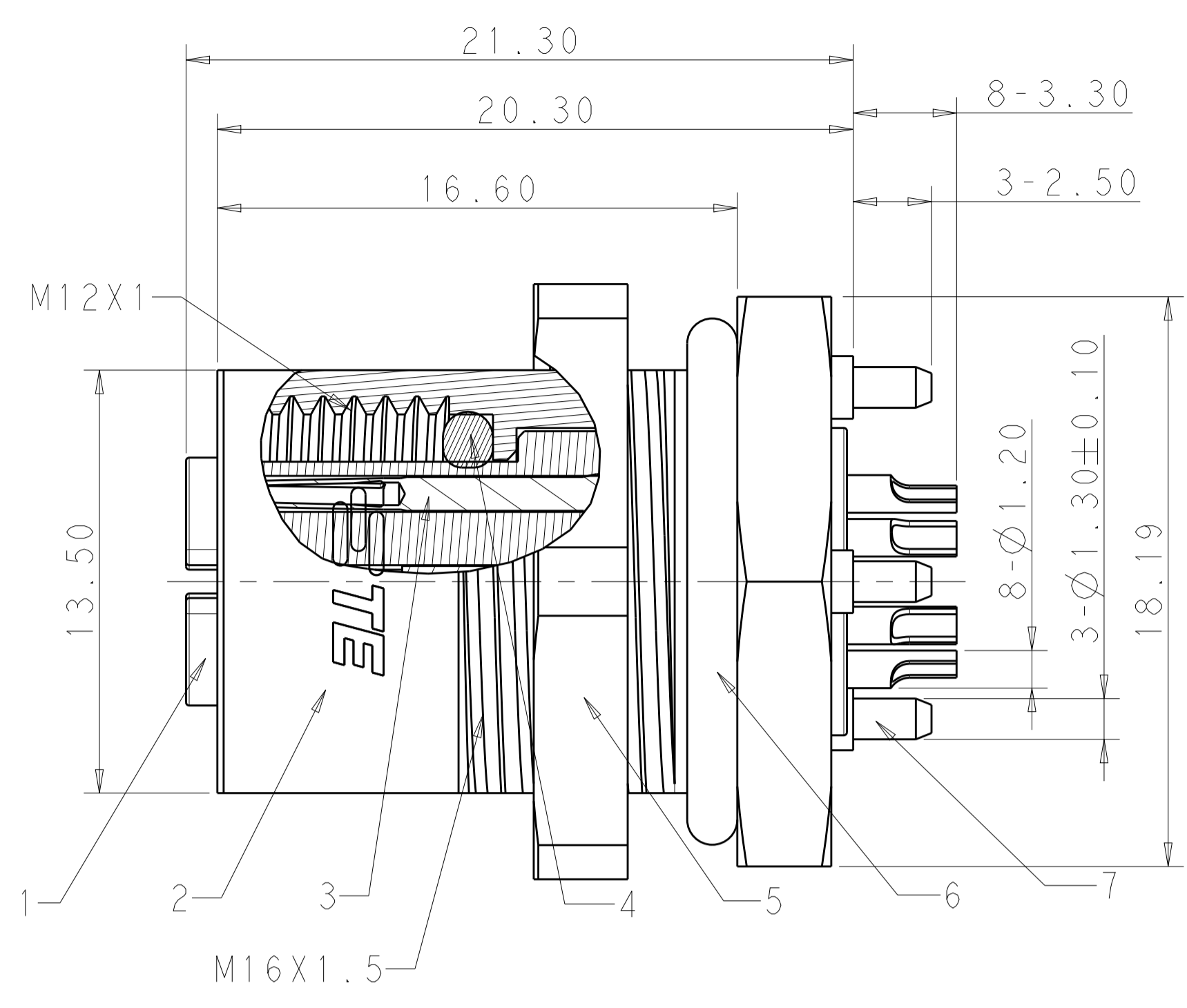
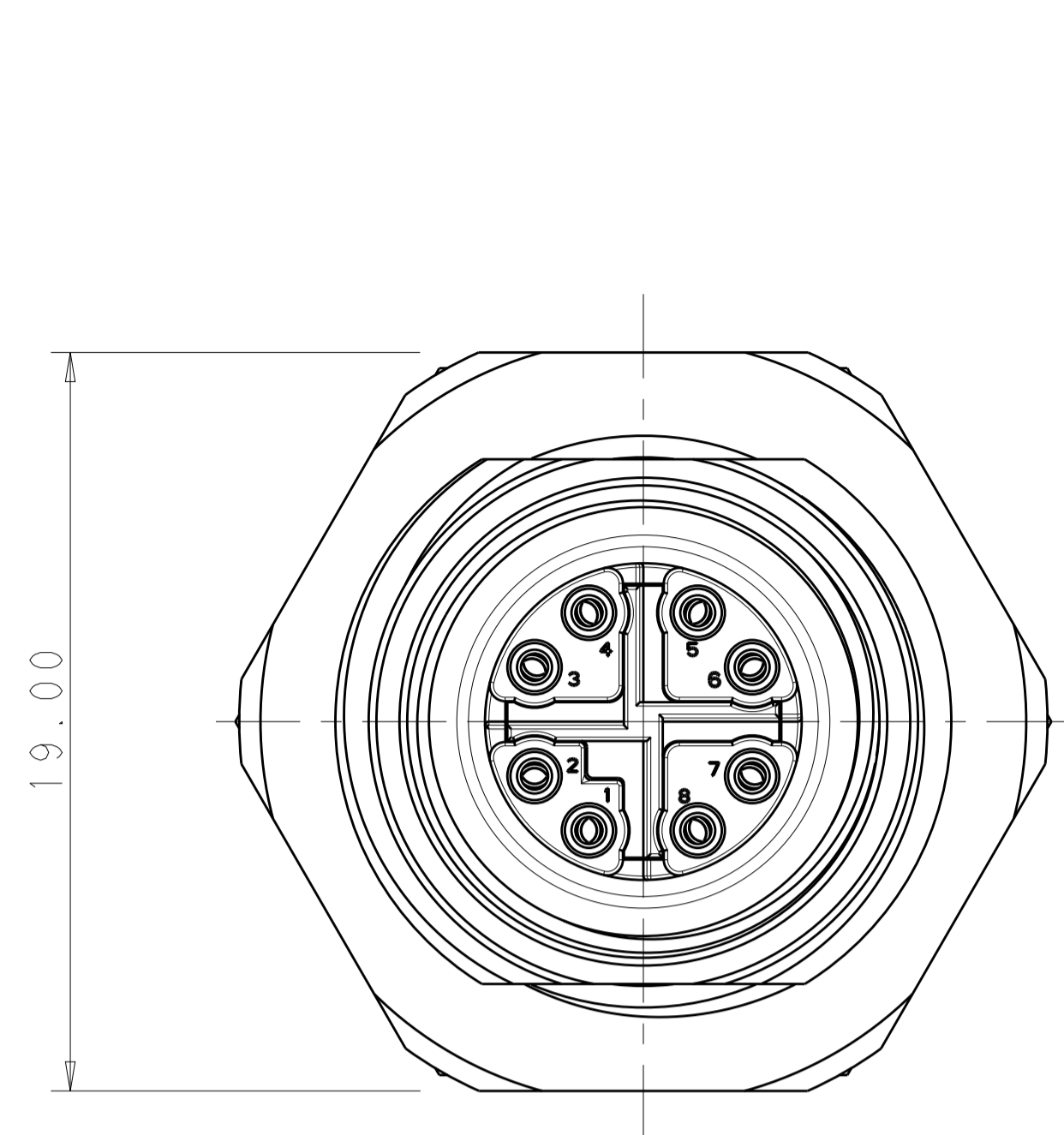
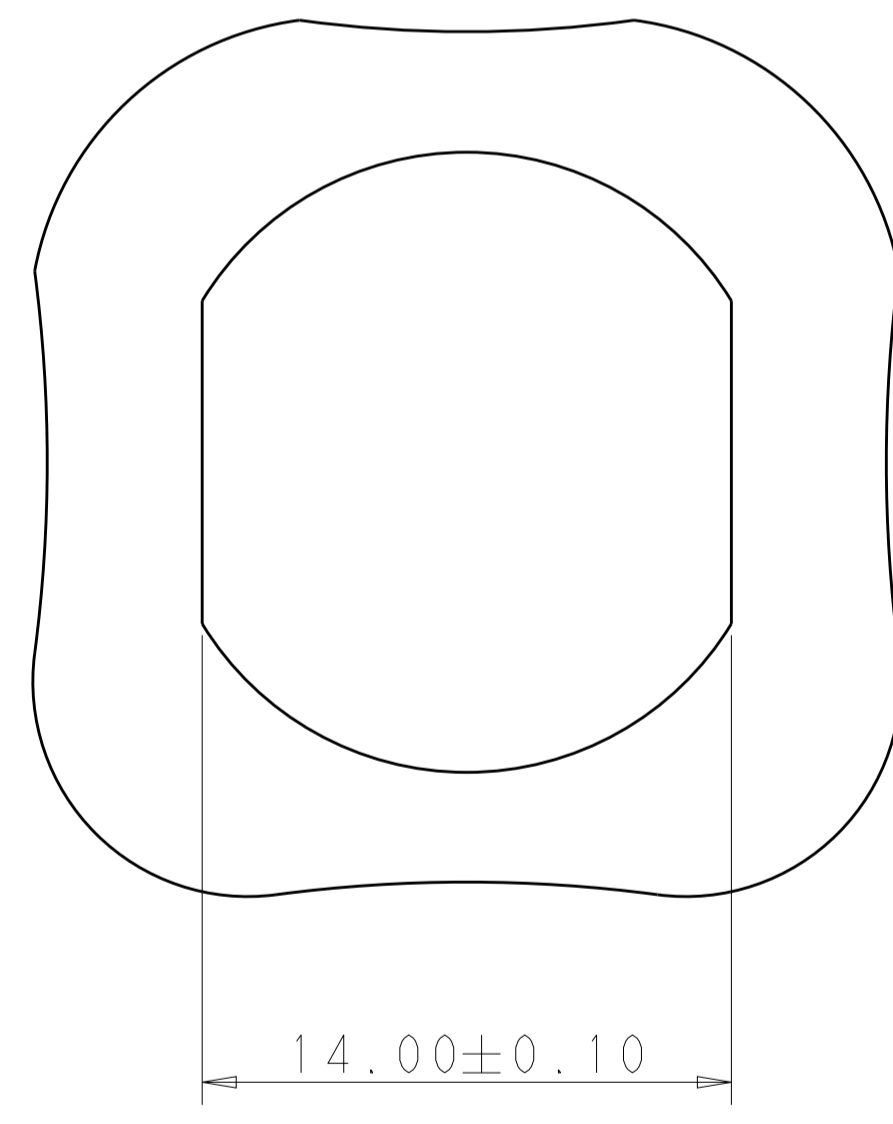


LOC		DIST		REVISIONS			
P	LTN	DESCRIPTION	DATE	DMN	APVD		
1		CREATE DRAWING	DEC. 20	F. Y	X. X		

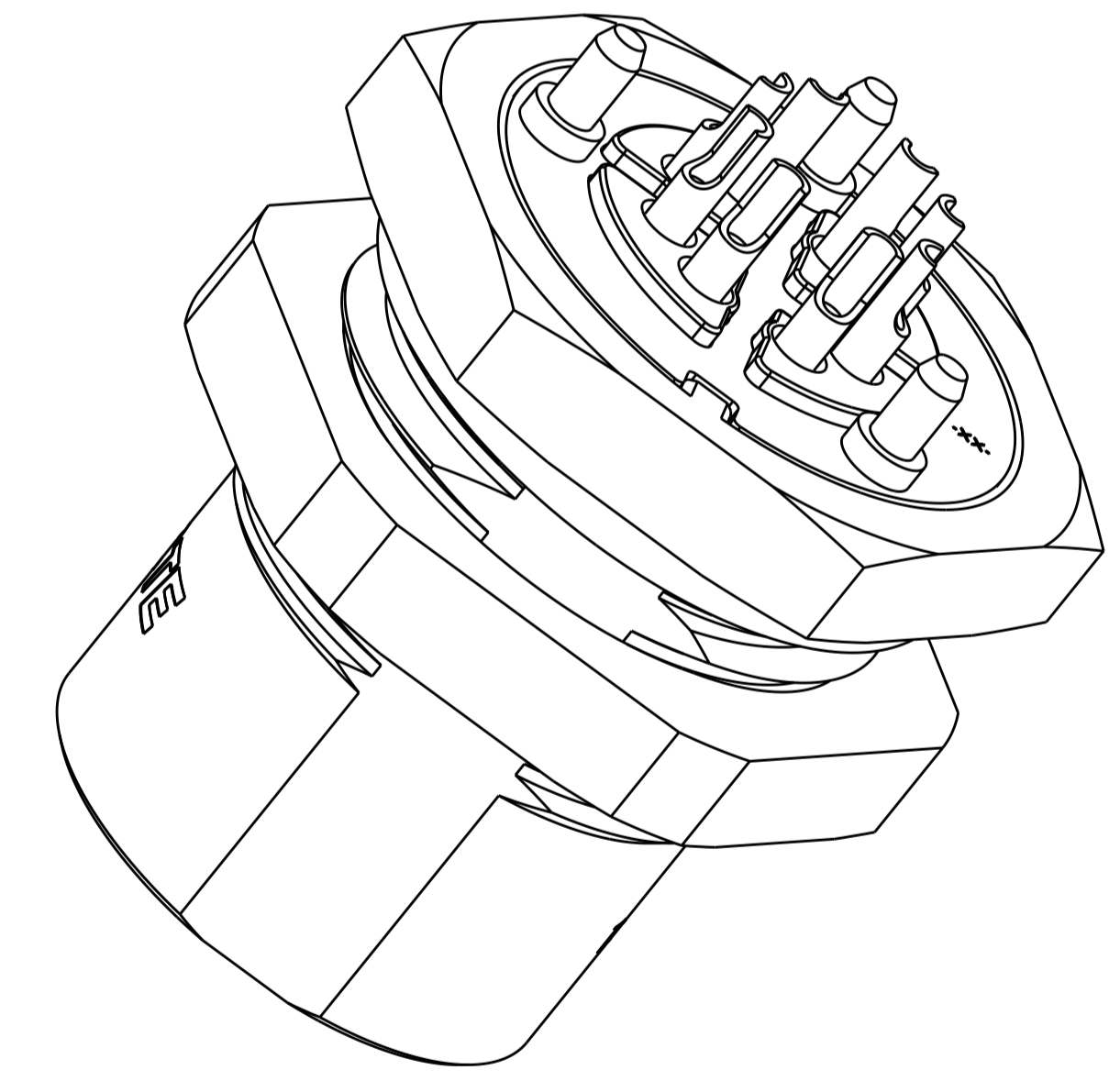
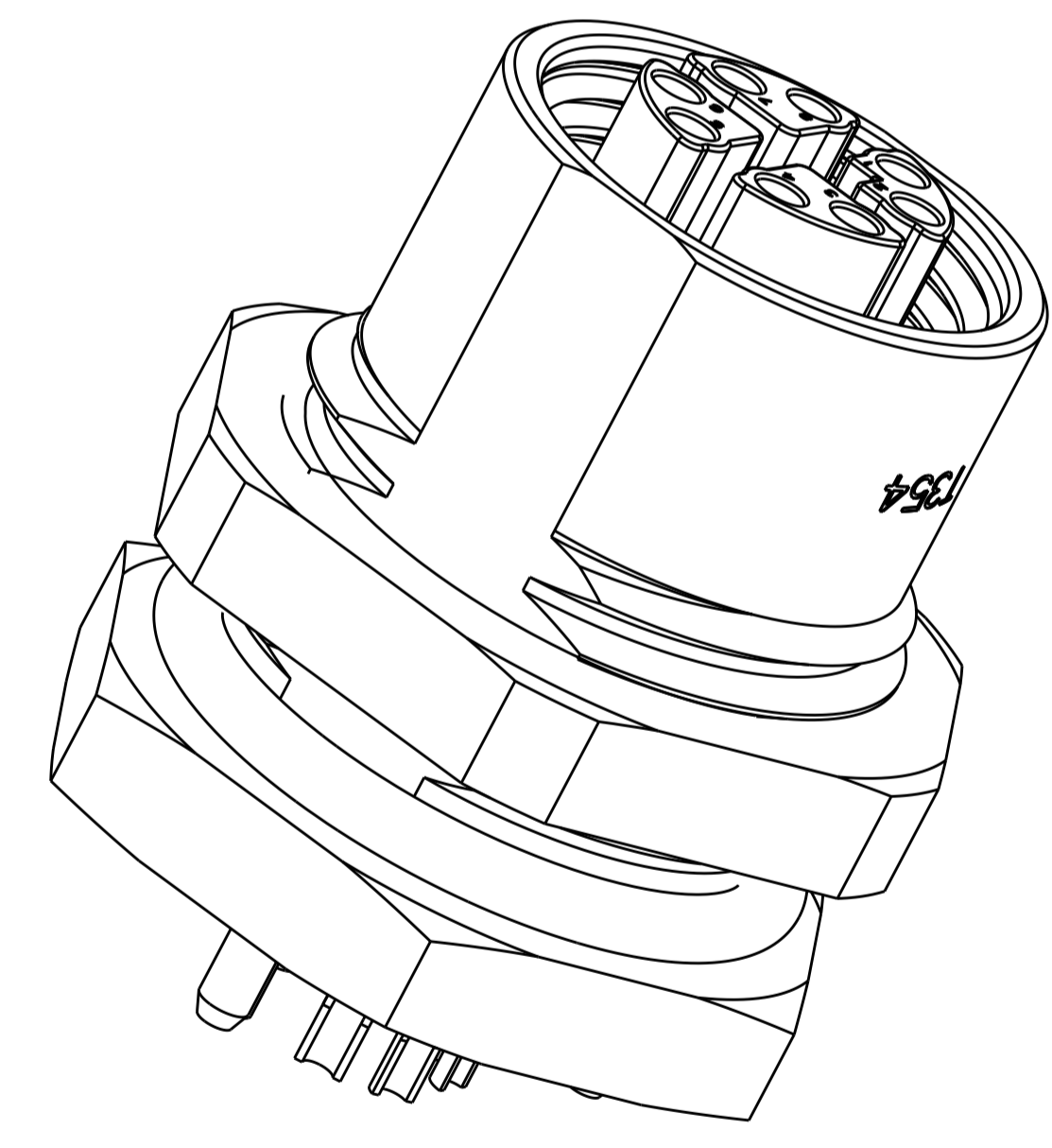


SPCIFICATION:

1. M12 8P RECEPTACLE REAR MOUNT SHIELDED TYPE.
2. MAX. VOLTAGE: 48V, MAX. CURRENT: 0.5A.
3. CONTACT RESISTANT: 5 mOhm MAX.
4. INSULATION WITHSTAND: 100 MOhm MIN.
5. PROTECTION: IP67.
6. TEMPERATURE RANGE: -40°~70°.
7. PARTS INDIVIDUALLY BAGGED AND BULK PACKAGED INTO SHIPPING BOX.
8. SUITABLE WIRE RATING: 22~28AWG



RECOMMENDED PANEL HOLE SIZE
4.5mm MAX PANEL THICKNESS



ITEM	DESCRIPTION	MATERIAL	FINISH/COLOR
1	INSERT HOUSING	PA	BLACK
2	COUPLING SHEATH	ZINC ALUMINUM ALLOY	NICKEL OVER COPPER
3	SOCKET CONTACT	COPPER ALLOY	GOLD OVER NICKEL
4	SEALER RING	LSR	BLACK
5	HEXAGONAL	ZINC ALUMINUM ALLOY	NICKEL OVER COPPER
6	SEALER RING	LSR	BLACK
7	CROSS SHIELDED	ZINC ALUMINUM ALLOY	NICKEL OVER COPPER

DESIGN APPROVED THIS PRINT IS
PRELIMINARY
TO FIRST PIECE APPROVAL
CONTACT PRODUCT ENGINEERING
BEFORE USING THIS PRINT

2271195-1
PART NO

THIS DRAWING IS A CONTROLLED DOCUMENT.		DMN: FENGER YU 20-DEC-13	
DIMENSIONS: mm		CHK: KERRY ZHAO 20-DEC-13	
TOLERANCES UNLESS OTHERWISE SPECIFIED:		APVD: XIANG YU 20-DEC-13	PRELIMINARY REAR PANEL MOUNT SOLDER CONNECTOR M12 X-CODE
0 PLC ± 1 PLC ±0.3 2 PLC ±0.20 3 PLC ± 4 PLC ± ANGLES ±		NAME: XIANG YU	
MATERIAL:		PRODUCT SPEC:	RESTRICTED TO:
FINISH:		APPLICATION SPEC:	SIZE: A100779
		WEIGHT:	CAGE CODE: C=2271195
		CUSTOMER DRAWING	SCALE: 6:1 SHEET 1 OF 1 REV 1