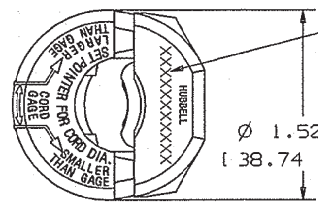
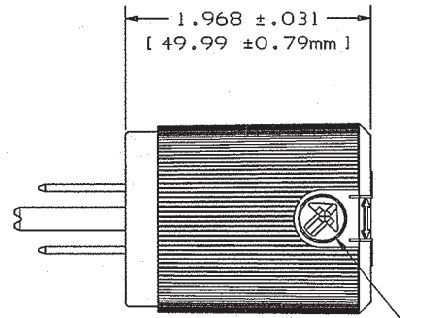
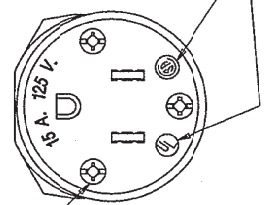


M-7149 8

AGENCY LISTING PER TABLE



ALL SCREWS ARE COMBINATION ROBERTSON/PHILLIPS/SLOTTED HEAD

INTEGRAL VARISIZE® INSERT

CUSTOMER SPECIAL CAT. NO. (BLADE HOLDER & CORD CLAMP) ALL BLACK	CHEM-MARINE CAT. NO. (YELLOW COVER) & INSERT	CAT. NO. (BLACK COVER) & INSERT	CONFIGURATION	RATING	UL	CSA	CORD RANGE	
							LARGER THAN GAGE	SMALLER THAN GAGE
HBL5266CM2	HBL52666C	HBL5266C	NEMA 5-15P	15A. 125V.	YES	YES	18/3 TYPE S	18/3-16/3 TYPE SV, SJ
—	HBL53666C	HBL5366C	NEMA 5-20P	20A. 125V.	YES	YES	16/3-10/3 TYPE S, SO, SJ	DIAMETER: .230-.360 [5.8mm]-[9.1mm]
—	HBL54666C	HBL5466C	NEMA 6-20P	20A. 250V.	YES	YES	DIAMETER: .325-.720 [8.3mm]-[18.3mm]	
—	HBL56666C	HBL5666C	NEMA 6-15P	15A. 250V.	YES	YES		
HBL5266EBK	—	—	NEMA 5-15P	15A. 125V.	YES	YES	18/3-10/3 TYPE S 14/3-10/3 TYPE SJ DIAMETER: .360-.720 [9.1mm]-[18.3mm]	N/A

LIST OF PARTS

DESCRIPTION	MATERIAL	FINISH
BLADE HOLDER	NYLON	NATURAL
RETAINER COVER	POLYCARBONATE	CLEAR
INSERT	NYLON	
CORD CLAMP	NYLON	NATURAL
WIRE CLAMP	.062 CRS	NICKEL PL
CONTACT BLADE	.060 BRASS	*
GROUND CONTACT BLADE	.040 BRASS	
BINDING SCREW	BRASS	*
GROUND HEX HEAD BINDING SCREW	BRASS	GREEN
CORD CLAMP SCREWS	STEEL	ZINC PL
ASSY SCREWS	STEEL	ZINC PL

*WHITE FINISH ON NEUTRAL PARTS WHEN USED

NOTE: ON "CM" DEVICES, STEEL PARTS ARE MADE OF BRASS OR STAINLESS STEEL AND ALL BRASS PARTS ARE .0003 NICKEL PLATED.

8 TEXT HEIGHT FOR CAT. NO. XXX OF HIGH WAS .05. PICTORIAL UPDATE ONLY PER DCN 17514 SPN DJP 3/31/11

7 ADDED "CORD RANGE" TO TABLE; ADDED "HBL5266EBK" TO CALLOUTS; REMOVED "CORD CLAMP" CALLOUTS PER DCN 12450 RCN DJP 8/31/05

SYM REVISIONS APP DATE

THE DESIGN AND DIMENSIONS OF THE PRODUCT SHOWN ON THIS DRAWING ARE SUBJECT TO CHANGE WITHOUT NOTICE

TITLE INSULGRIP® 2 POLE 3 WIRE GROUNDING STRAIGHT BLADE PLUG

TOLERANCES UNLESS OTHERWISE SPECIFIED	WIRING DEVICE-KE-LEMS HUBBELL INCORPORATED BRIDGEPORT, CT	
FRACTIONS ± 1/64	DR. BY RCM	APP. BY VFL
DECIMALS ± .005	TR. BY	SCALE $\frac{1}{1}$
ANGLES ± 1°	CHK'D BY ZIMM	DATE 6/29/93

DIMENSION SHEET FOR CAT. NO. SEE TABLE

REPAIRABLE NON REPAIRABLE

M-7149