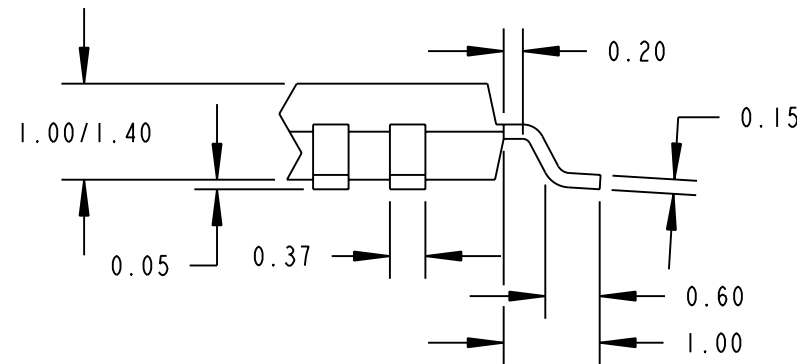
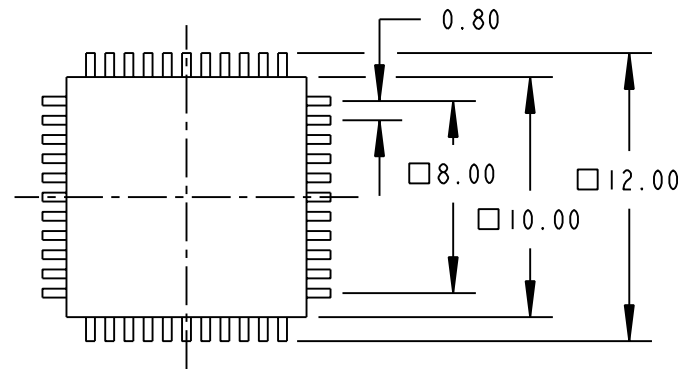
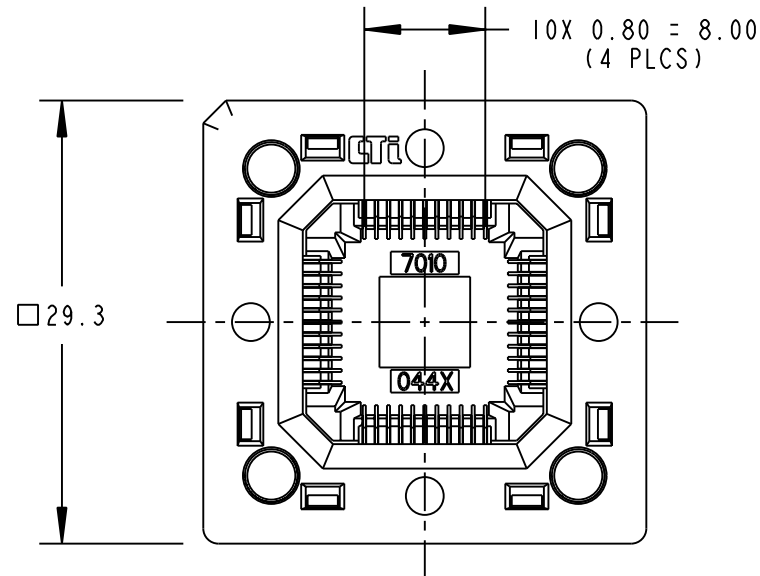
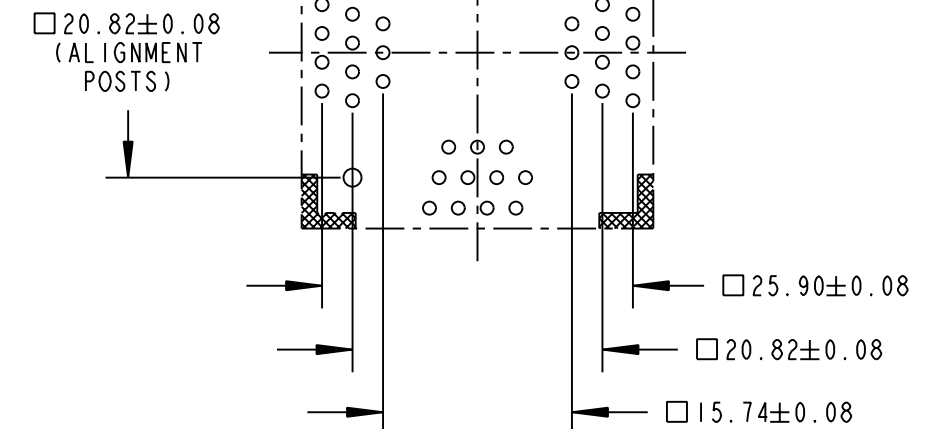
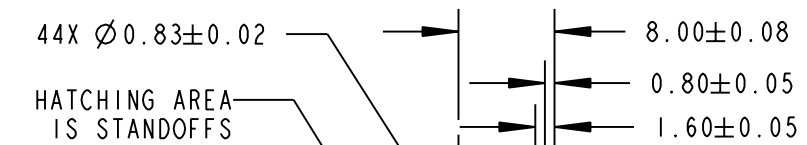


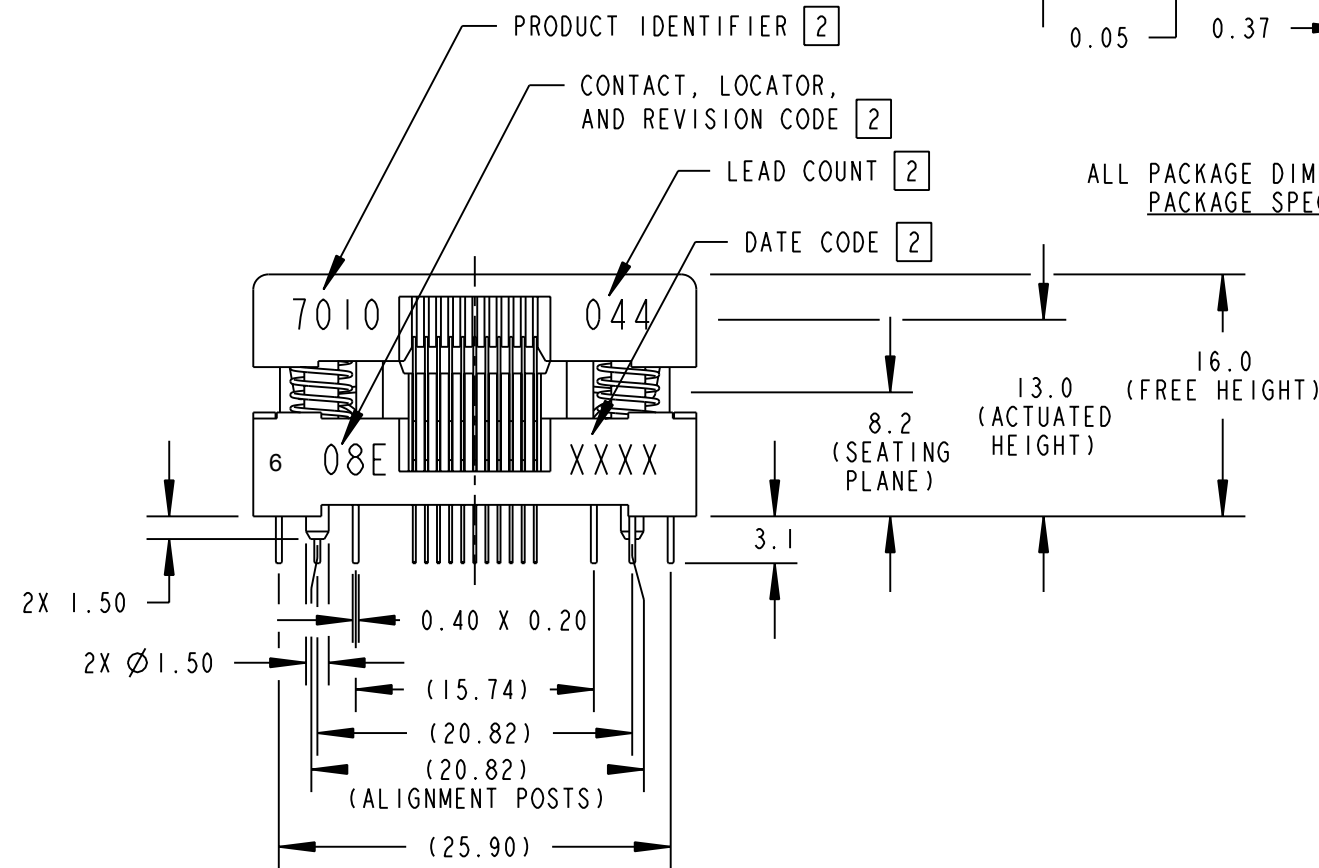
A	C	P	REV	DATE	BY	ECN #	REV	DATE	BY	ECN #	REV	DATE	BY	ECN #
X	-	-	A	9/8/05	DS	05-0490								



ALL PACKAGE DIMENSIONS ARE FOR REFERENCE ONLY
PACKAGE SPECIFICATION IS JEDEC MS-026



PCB HOLE PATTERN LAYOUT
(TOP VIEW)



NOTES:

- MATERIAL AND FINISH:
SOCKET LID - POLYETHERIMIDE.
SOCKET BASE - POLYETHERIMIDE.
CONTACTS - BeCu, SELECTIVE Au/AuFlash OVER Ni PLATING.
SPRINGS - STAINLESS STEEL, PASSIVATED.
- MARKING: 2.0 HIGH, COLOR - WHITE.
- REFER TO SK-0283 FOR CONTACT SEATING HEIGHTS.
- REFER TO SK-0319 FOR NAIL/RIVET PRESS HEIGHTS.

LEGEND		THIS DOCUMENT CONTAINS PROPRIETARY INFORMATION THAT IS THE SOLE PROPERTY OF WELLS-CTI. THIS INFORMATION IS TO BE HELD BY ITS RECIPIENT ON A CONFIDENTIAL BASIS, AND IS NOT TO BE DISCLOSED TO OTHERS OR USED WITHOUT WRITTEN CONSENT OF WELLS-CTI.	MATERIAL/FINISH	DRAWN	WELLS-CTI A subsidiary of PCD Inc. Phoenix Arizona USA	
©	CRITICAL		REFERENCE	CHECKED		TOFP SOCKET ASSEMBLY (10mm, 44ld)
0	NUMBER OF © USED		PROJECT/SERIES	ENGINEER		PART NUMBER
SIZE	PROJECTION		MFG. ENG.		7010-044-6-08	A
B			MOLDING		SCALE 2.0:1	UNITS: mm [in]
			TOOLING		CAD NUMBER	SHEET 1
		DO NOT SCALE				