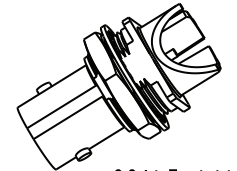
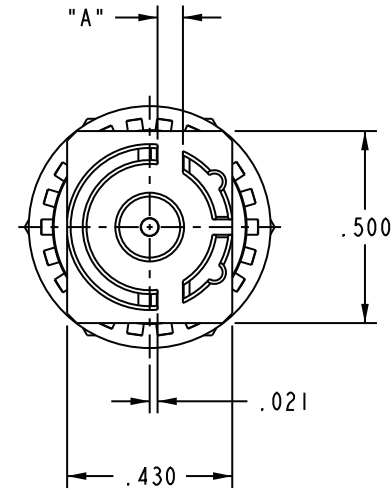
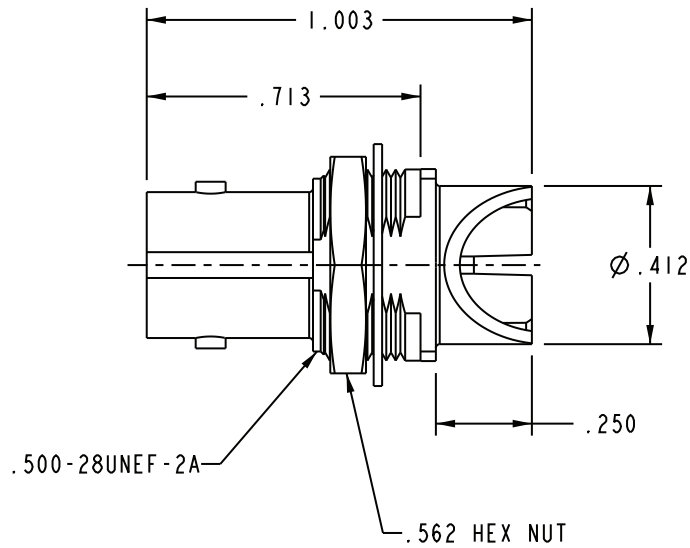


DASH NUMBER	"A" BOARD THICKNESS
-1	.060 - .064
-2	.028 - .033
-3	.084
-4	.120

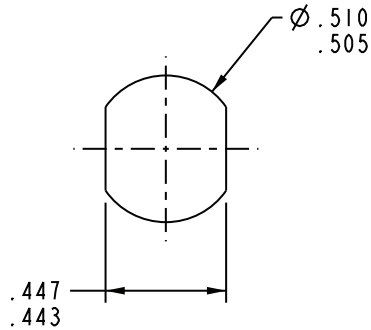
DATA CONTAINED IN THIS DOCUMENT IS PROPRIETARY TO EMERSON CONNECTIVITY SOLUTIONS AND SHALL NOT BE DISCLOSED, COPIED OR USED FOR PROCUREMENT OR MANUFACTURE WITHOUT EXPRESS WRITTEN PERMISSION

REVISIONS			
REV	DESCRIPTIONS	DATE	APPROVED
F	ECO 52157	2/22/10	T. KOHLER

- 1 SHOWN

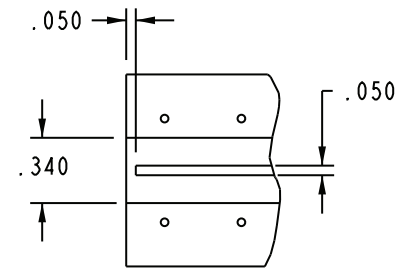


SCALE 1/1



RECOMMENDED PANEL CUT-OUT

SCALE 2/1




RECOMMENDED PCB LAYOUT

SCALE 1/1

3. MAXIMUM PANEL THICKNESS .179
2. FINISH: BODY: TFS-1B (GOLD, 2G)  
CONTACT: TFS-1B (GOLD, 5G)  
HARDWARE: TFS-1A (NICKEL)
1. 75Ω CIRCUIT BOARD BULKHEAD EDGE MOUNT "BNC" STYLE RECEPTACLE

NOTES: UNLESS OTHERWISE SPECIFIED.

INTERPRET DRAWING PER MIL-STD-100. DIMENSIONS ARE IN INCHES AND INCLUDE FINISH THICKNESS UNLESS OTHERWISE SPECIFIED.		TOL: UNLESS SPECIFIED. .XX ± .02 .XXX ± .010 ANGLE ± 1°		 Cinch Connectivity Solutions 299 Johnson Ave. Ste. 100 Waseca, MN 56093 1-800-247-8256	
DRN C. WALLACE	4/29/11	MATERIAL:	TITLE:  UCBBJE20		
CHK T. KOHLER	5/1/11	FINISH:	SIZE A	CAGE CODE 14949	DRAWING NO. 1-0583
QUALITY			SCALE 1/1	DATE 2/18/00	REV. F
MANUF		DO NOT SCALE DWG	SHEET 1	OF 2	
APPROVED					
SURFACE AREA	PROJ TITLE NO. 1-0583				