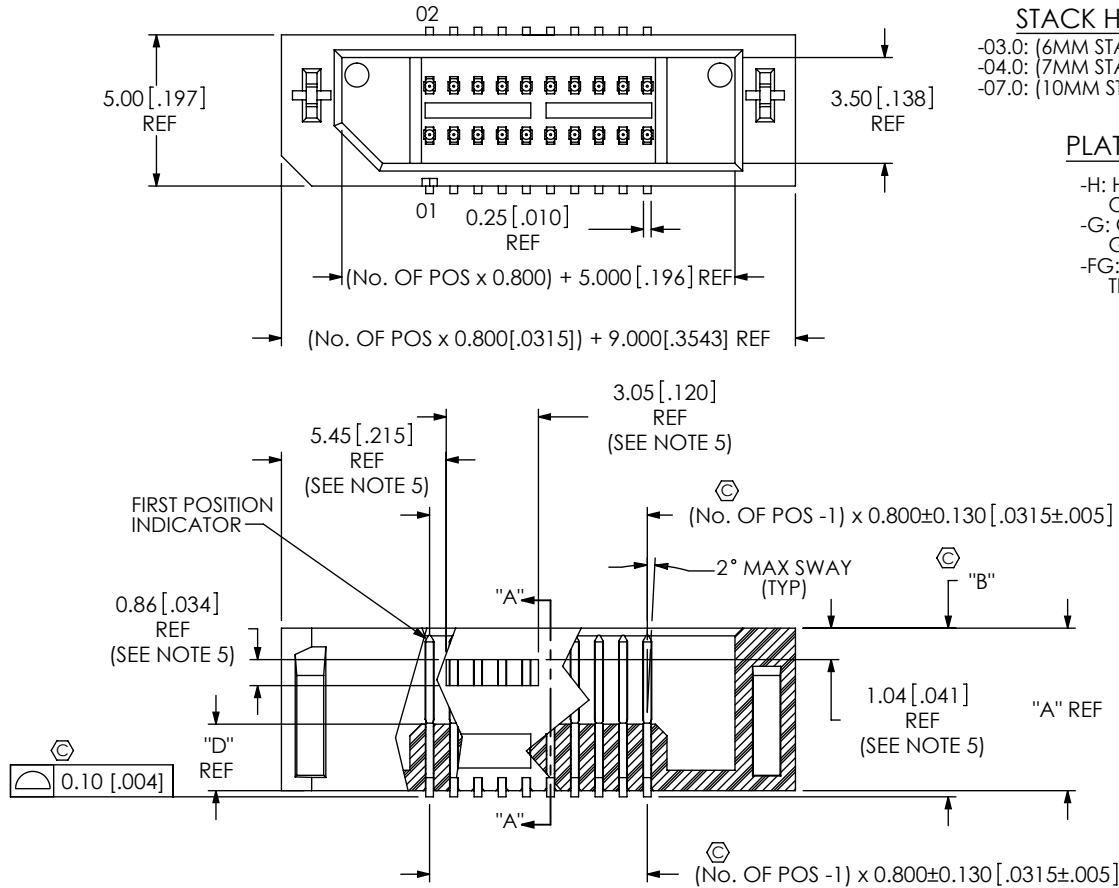


DESIGNED & DIMENSIONED
IN MILLIMETERS [INCHES]

FIG. 1
(TEM-110-02-03.0-XX-D SHOWN)

DO NOT
SCALE FROM
THIS PRINT



TEM-1XX-XX-XX.X-XX-D-XX-XX

No OF POSITIONS
-05 THRU -50 (PER ROW)
(5 POS INCREMENTS)

LEAD STYLE
-02: SURFACE MOUNT

STACK HEIGHT

-03.0: (6MM STACK HEIGHT) (T-1M58-03.0-XX)
 -04.0: (7MM STACK HEIGHT) (T-1M58-04.0-XX)
 -07.0: (10MM STACK HEIGHT) (T-1M58-07.0-XX)

PLATING SPECIFICATION

-H: HEAVY, .000030 GOLD
ON POST, GOLD FLASH ON TAIL
 -G: GOLD, .000010 GOLD ON POST
GOLD FLASH ON TAIL
 -FG: FLASH, .000003 GOLD ON ENTIRE
TERMINAL

OPTION

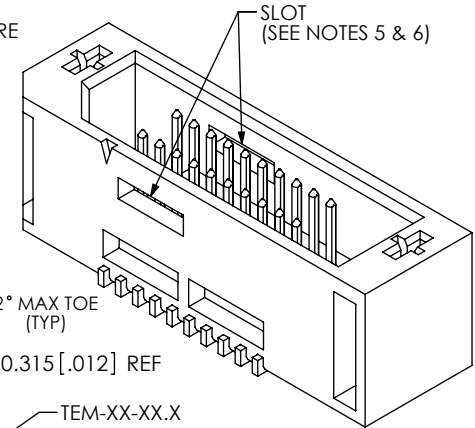
-TR: TAPE & REEL
 -K: POLYIMIDE FILM
 (USE K-500-300, SEE FIG. 5, SHT 2)

OPTION

-A: ALIGNMENT PIN (SEE FIG. 2, SHEET 2)
(NOT AVAILABLE WITH -LC OR -WT)
 -LC: LOCKING CLIP (SEE FIG. 3, SHEET 2)
(NOT AVAILABLE WITH -A OR -WT)
 -WT: WELD TAB (SEE FIG. 4, SHEET 2)
(NOT AVAILABLE WITH -A OR -LC)

ROW SPECIFICATION

-D: DOUBLE ROW



SECTION "A"- "A"

TABLE 1

STACK HEIGHT	"A"	"B"	"C"	"D"
-03.0	5.375 [.2116]	5.610 [.2209]	5.742 [.2261]	2.200 [.0866]
-04.0	6.375 [.2510]	6.610 [.2602]	6.742 [.2654]	3.200 [.1260]
-07.0	9.375 [.3690]	9.610 [.3783]	9.742 [.2835]	6.200 [.2441]

NOTES:

1. Ⓞ REPRESENTS A CRITICAL DIMENSION.
2. MINIMUM PUSHOUT FORCE FOR TERMINAL, LOCKING CLIP AND WELD TAB: 2.22N [0.50LBF].
3. POST HEIGHT VARIATION BETWEEN ANY TWO PINS: 0.13 [.005] MAXIMUM.
4. PARTS TO BE PACKAGED IN TRAYS UNLESS OTHERWISE SPECIFIED.
5. POSITIONS -05 THRU -20 WILL HAVE ONLY ONE SLOT PER SIDE.
 POSITIONS -25 THRU -40 WILL HAVE TWO SLOTS PER SIDE.
 POSITIONS -45 THRU -50 WILL HAVE THREE SLOTS PER SIDE.
6. SLOTS ONLY AVAILABLE IN -03.0 LEAD STYLE.

H

UNLESS OTHERWISE SPECIFIED,
DIMENSIONS ARE IN MILLIMETERS.
TOLERANCES ARE:
DECIMALS ANGLES
X.X: ±0.3 [.01] 2°
X.XX: ±0.13 [.005]
X.XXX: ±0.051 [.0020]

PROPRIETARY NOTE

THIS DOCUMENT CONTAINS INFORMATION
CONFIDENTIAL AND PROPRIETARY TO
SAMTEC, INC. AND SHALL NOT BE REPRODUCED
OR TRANSFERRED TO OTHER DOCUMENTS OR
DISCLOSED TO OTHERS OR USED FOR ANY
PURPOSE OTHER THAN THAT WHICH IT WAS
OBTAINED WITHOUT THE EXPRESSED WRITTEN
CONSENT OF SAMTEC, INC.



520 PARK EAST BLVD, NEW ALBANY, IN 47150
 PHONE: 812-944-6733 FAX: 812-948-5047
 e-Mail: info@SAMTEC.com code: 55322

MATERIAL: DO NOT SCALE DRAWING SHEET SCALE: 4:1
 INSULATOR: ZENITE ZE55201, COLOR: BLACK
 TERMINAL AND LOCKING CLIP: PHOS BRONZE 510
 WELD TAB: BRASS ALLOY 260, FULL HARD

DESCRIPTION:
 .8MM TIGER EYE MICRO TERMINAL

DWG. NO.
 TEM-1XX-XX-XX.X-XX-D-XX-XX

BY: B RAY 10-18-2007 SHEET 1 OF 2

FIG. 2
(TEM-110-02-03.0-XX-D-A SHOWN)
(SAME AS FIG. 1, DIFFERENT AS SHOWN)

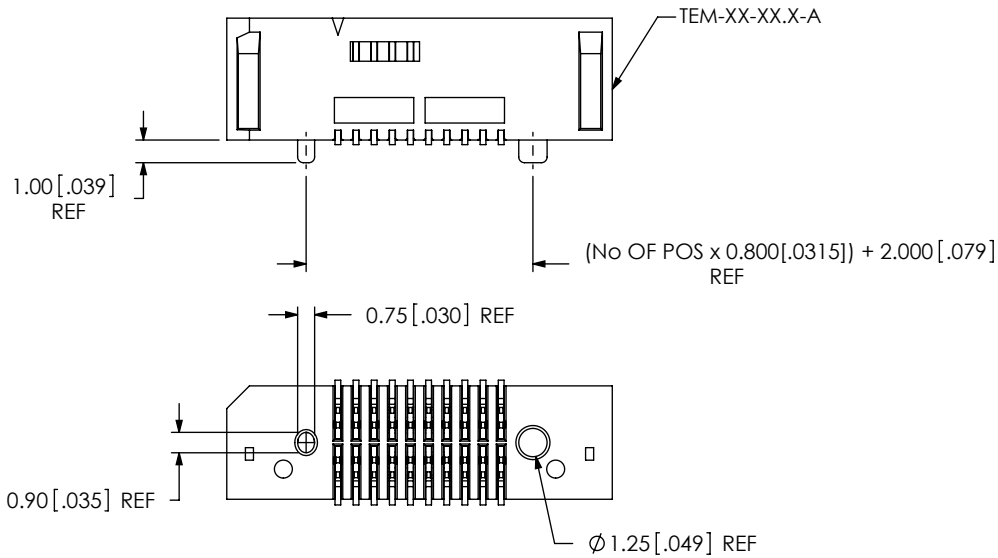


FIG. 3
(TEM-110-02-03.0-XX-D-LC SHOWN)
(SAME AS FIG. 1, DIFFERENT AS SHOWN)

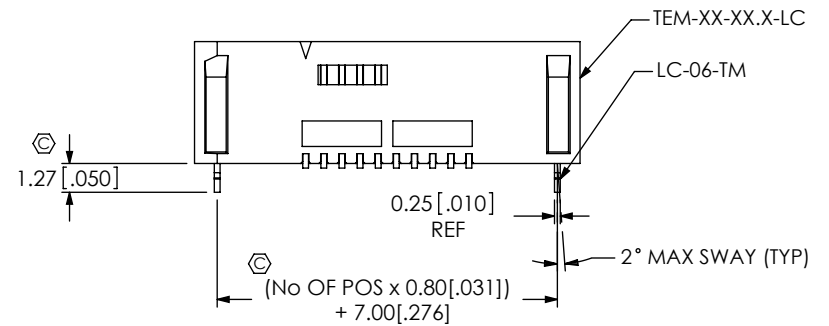
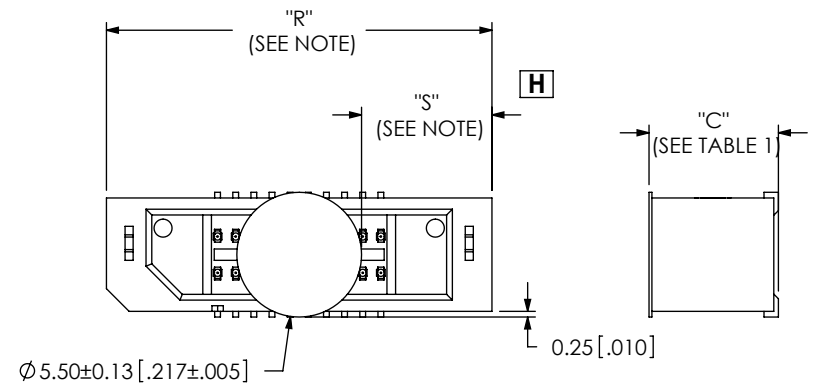
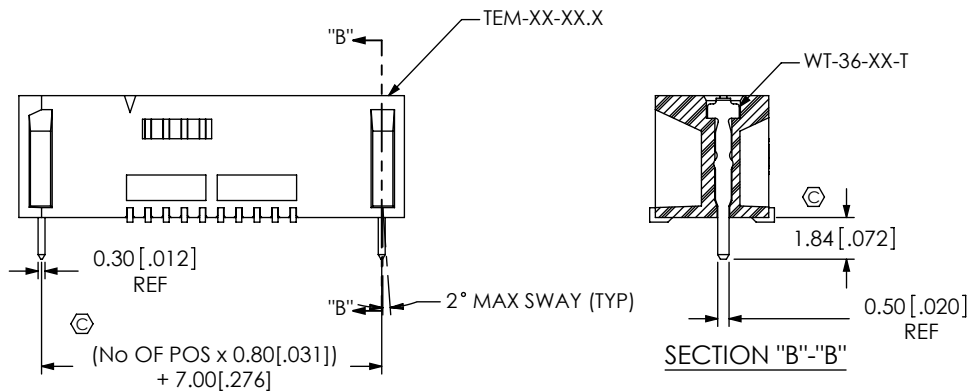


FIG. 5
(TEM-110-02-03.0-XX-D-K SHOWN)
(SAME AS FIG. 1, DIFFERENT AS SHOWN)



NOTE: "R" = OVERALL LENGTH (REF)
"S" = $\{("R" - 5.50 [.216]) / 2\} \pm 0.51 [.020]$

FIG. 4
(TEM-110-02-03.0-XX-D-WT SHOWN)
(SAME AS FIG. 1, DIFFERENT AS SHOWN)



STACK HEIGHT	WELD TAB
-03.0	WT-36-02-X
-04.0	WT-36-03-X
-07.0	WT-36-04-X

PROPRIETARY NOTE
THIS DOCUMENT CONTAINS INFORMATION CONFIDENTIAL AND PROPRIETARY TO SAMTEC, INC. AND SHALL NOT BE REPRODUCED OR TRANSFERRED TO OTHER DOCUMENTS OR DISCLOSED TO OTHERS OR USED FOR ANY PURPOSE OTHER THAN THAT WHICH IT WAS OBTAINED WITHOUT THE EXPRESSED WRITTEN CONSENT OF SAMTEC, INC.

DO NOT SCALE DRAWING

SHEET SCALE: 3:1

samtec

520 PARK EAST BLVD, NEW ALBANY, IN 47150
PHONE: 812-944-6733 FAX: 812-948-5047
e-Mail: info@SAMTEC.com code: 55322

DESCRIPTION:
.8MM TIGER EYE MICRO TERMINAL

DWG. NO.
TEM-1XX-XX-XX.X-XX-D-XX-XX

BY: B RAY 10-18-2007 SHEET 2 OF 2