

MATERIALS AND FINISHES

BODY, PRESS RING: BRASS
PLATED NICKEL

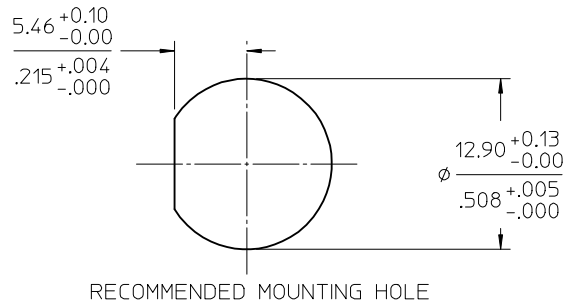
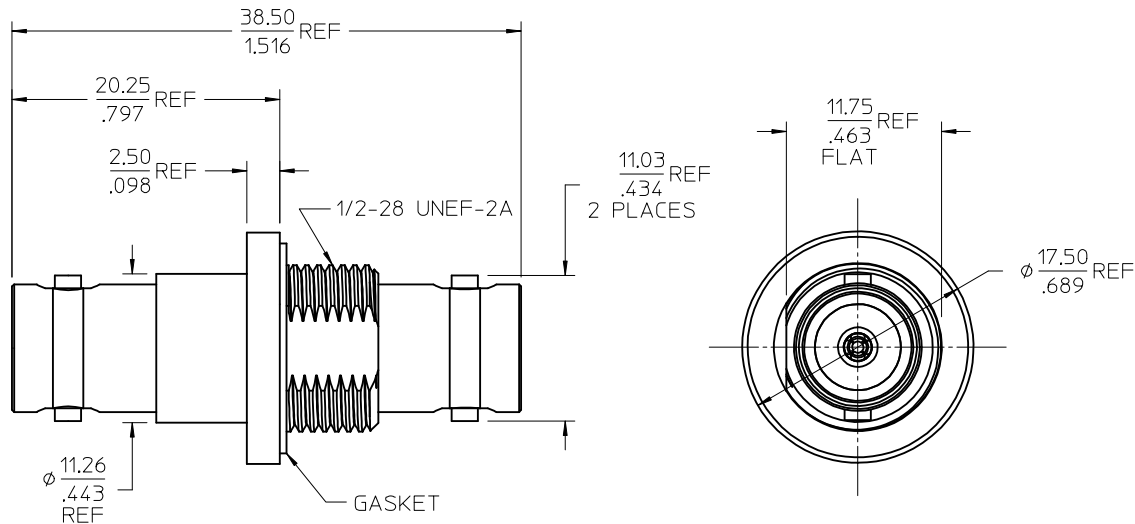
CENTER CONTACT: PHOSPHOR BRONZE
PLATED GOLD

INSULATOR: TEFLON

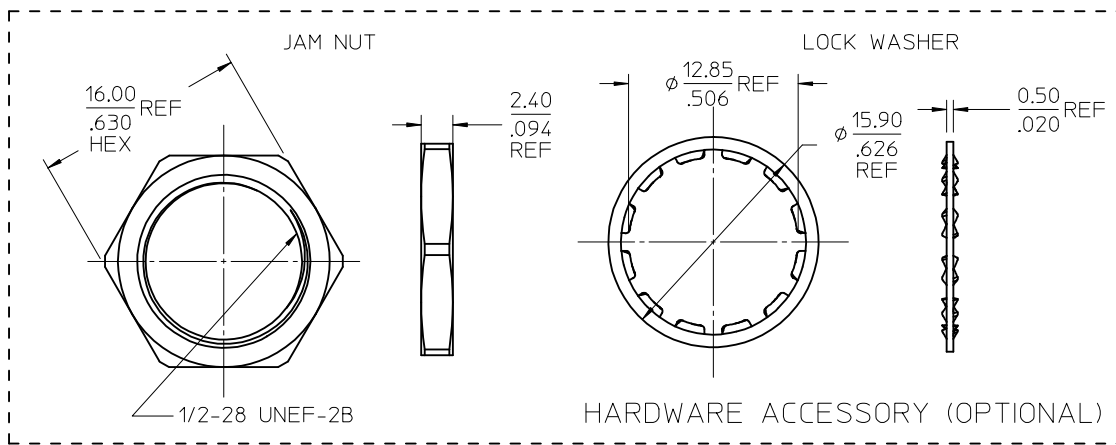
JAM NUT: BRASS
PLATED NICKEL (SEE TABLE)

LOCK WASHER: PHOSPHOR BRONZE
PLATED NICKEL (SEE TABLE)

GASKET: SILICONE RUBBER



RECOMMENDED MOUNTING HOLE



73412-0033	W/O NUT AND WASHER; PACKAGING: ONE PER BAG
73412-0032	W/ NUT AND WASHER; PACKAGING: ONE PER BAG
73412-0030	W/ NUT AND WASHER; PACKAGING: BY TRAY
PART NO.	DESCRIPTION

RoHS COMPLIANT

PS-89675-1020	PRODUCT SPEC
SPECIFICATION	DESCRIPTION

CHG: ADDED -0033 PER PDR15031894 -0030 PACKAGING TRAY WAS BULK	EC NO: URF2015-0545	DRWN: CME102	2015/03/24	CHKD:	2015/04/14	APPR: YCHENG	DESCRIPTION	QUALITY SYMBOLS	GENERAL TOLERANCES (UNLESS SPECIFIED)	DIMENSION STYLE	SCALE	DESIGN UNITS	THIRD ANGLE PROJECTION	
									mm	MM/IN		METRIC	☉	
									INCH					
									4 PLACES	±	DATE	TITLE		
									3 PLACES	±	LYNN LIN	BNC JACK TO JACK ADAPTER		
									2 PLACES	±	CHECKED BY	75 OHMS, BH		
									1 PLACE	±	KERRIE	BNC-J/J/AD		
									0 PLACE	±	APPROVED BY	molex		
									ANGULAR ± 2 °		MATERIAL NO.	DOCUMENT NO.		SHEET NO.
									DRAFT WHERE APPLICABLE MUST REMAIN WITHIN DIMENSIONS		SEE TABLE	SD-73412-003		1 OF 1
									SIZE	THIS DRAWING CONTAINS INFORMATION THAT IS PROPRIETARY TO MOLEX INCORPORATED AND SHOULD NOT BE USED WITHOUT WRITTEN PERMISSION				
									C					