

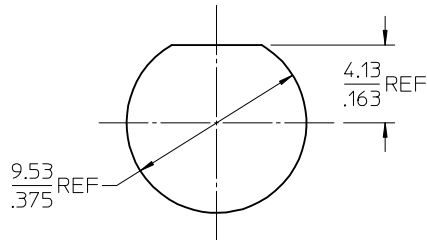
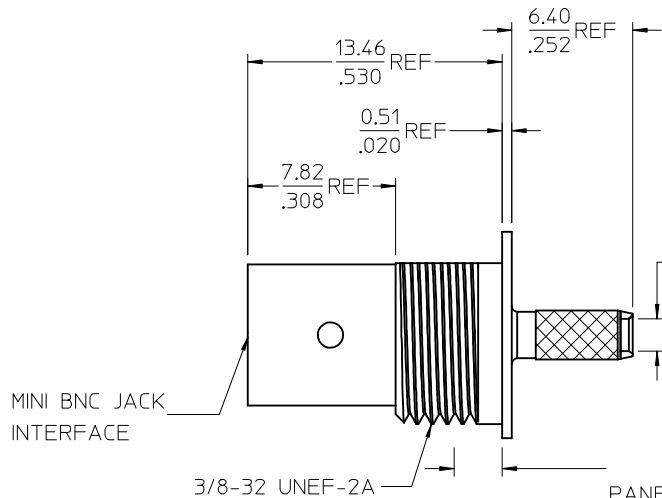
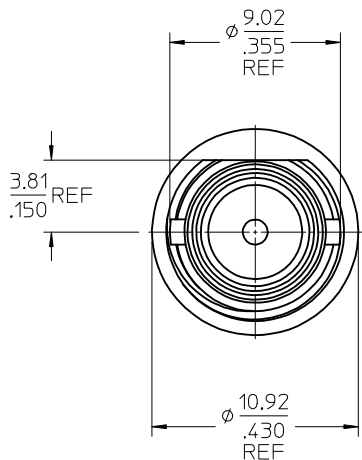
MATERIALS AND FINISHES

BODY, CRIMP TUBE, PRESS RING BRASS  
PLATED NICKEL

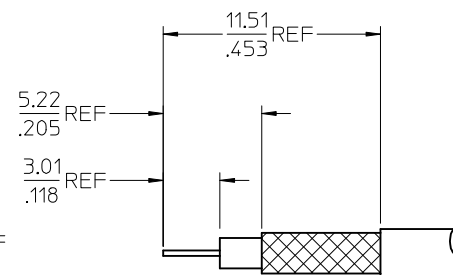
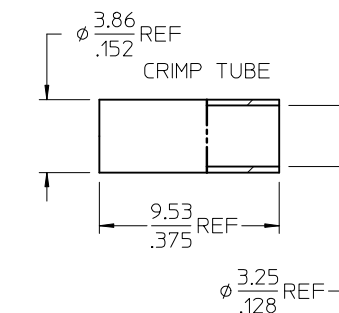
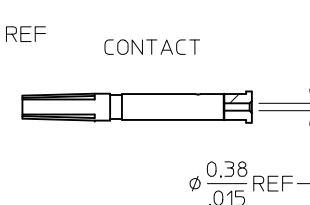
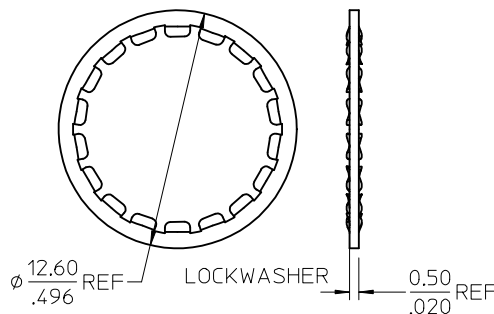
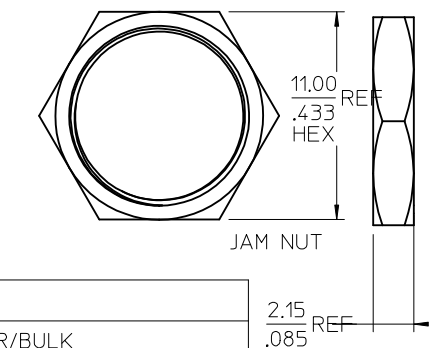
CENTER CONTACT PHOSPHOR BRONZE  
PLATED GOLD

INSULATOR TEFLON

CRIMP DIE 3.25 (.128) HEX



RECOMMENDED  
MOUNTING HOLE



RECOMMENDED  
STRIP DIMENSIONS

73171-2632	73171-2631, ONE PER BAG
73171-2631	WITH JAM NUT & LOCKWASHER/BULK
73171-2630	NO JAM NUT & LOCKWASHER/BULK
PART NO.	DESCRIPTION/PACKAGING

2.15  
.085 REF

CHG: UPDATED BODY AND STRIP DIMENSION	EC NO: URF2013-0319	2012/12/11
DRW:SSHAH	CHKD:ROBERTSON	2012/12/12
APPR:JWIENER	2012/12/13	
REV: A2	DESCRIPTION	

QUALITY SYMBOLS	▽=0
▽=0	

GENERAL TOLERANCES (UNLESS SPECIFIED)	mm	INCH
4 PLACES ±	---	± ---
3 PLACES ±	---	± ---
2 PLACES ±	---	± ---
1 PLACE ±	---	± ---
ANGULAR ± 2 °		
DRAFT WHERE APPLICABLE MUST REMAIN WITHIN DIMENSIONS		

DIMENSION STYLE	MM/IN
DRAWN BY	DATE
JM	2005/05/04
CHECKED BY	DATE
JM	2005/05/04
APPROVED BY	DATE
JDW	2005/05/04
MATERIAL NO.	SEE TABLE
SIZE	C

SCALE	DESIGN UNITS	THIRD ANGLE PROJECTION
	METRIC	
TITLE		
MINI BNC JACK, BULKHEAD		
RG179, 75 OHMS		
EWR-2785, MINI BNC-JC		
MOLEX INCORPORATED		
DOCUMENT NO.	SD-73171-263	SHEET NO.
		1 OF 1
THIS DRAWING CONTAINS INFORMATION THAT IS PROPRIETARY TO MOLEX INCORPORATED AND SHOULD NOT BE USED WITHOUT WRITTEN PERMISSION		