

MATERIALS AND FINISHES:

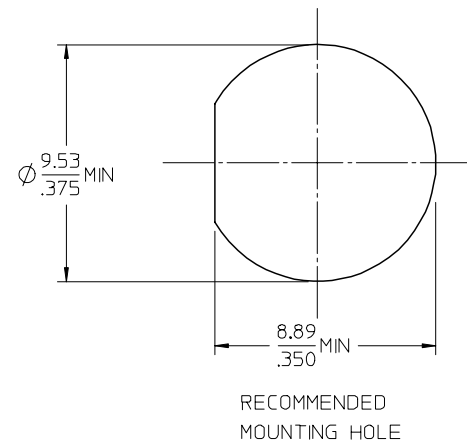
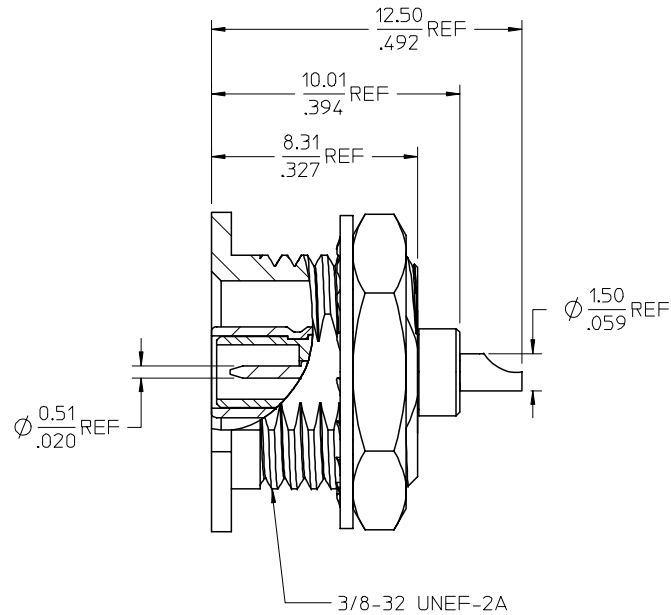
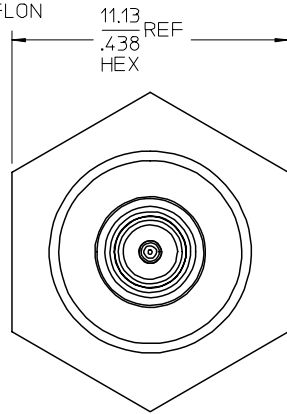
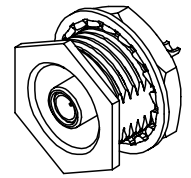
BODY: SEE TABLE

JAM NUT: BRASS
PLATED NICKEL

WASHER: PHOSPHOR BRONZE
PLATED NICKEL

CENTER CONTACT: BRASS
PLATED GOLD

INSULATOR: TEFLON



PS-73598-0099	ELECTRO/MECH PERFORM.
MIL-STD-348A, FIG. 311.1	INTERFACE
SPECIFICATION	DESCRIPTION

73404-0002	73404-0001, ONE PER BAG
73404-0001	BRASS/NICKEL/BULK
73404-0000	STEEL/PASSIVATED/BULK
PART NO.	BODY MATERIAL/PLATING/PACKAGING

CHG: ADDED P/N 73404-0002 AND PACKAGING TO TABLE A2 EC NO: URF2007-0287 DRWN: FLAHERTY 2007/02/08 CHKD: SHAH 2007/02/08 APPR: JIMENER 2007/02/08 REVISION DESCRIPTION	QUALITY SYMBOLS ▽=0 ▽=0	GENERAL TOLERANCES (UNLESS SPECIFIED) mm INCH 4 PLACES ± --- ± --- 3 PLACES ± --- ± --- 2 PLACES ± --- ± --- 1 PLACE ± --- ± --- ANGULAR ± 2 °	DIMENSION STYLE MM/IN DRAWN BY DATE NBJ 1997/07/16 CHECKED BY DATE DHG 1998/01/09 APPROVED BY DATE GMH 1998/01/09	SCALE DESIGN UNITS METRIC THIRD ANGLE PROJECTION	TITLE SMB JACK, RECEPT, BLKHD MT RECESSED, SOLDER POT 50 OHM, EWR1971, SMB-JR/BK MOLEX INCORPORATED
	DRAFT WHERE APPLICABLE MUST REMAIN WITHIN DIMENSIONS	MATERIAL NO. SEE TABLE	DOCUMENT NO. SD-73404-000	SHEET NO. 1 OF 1	