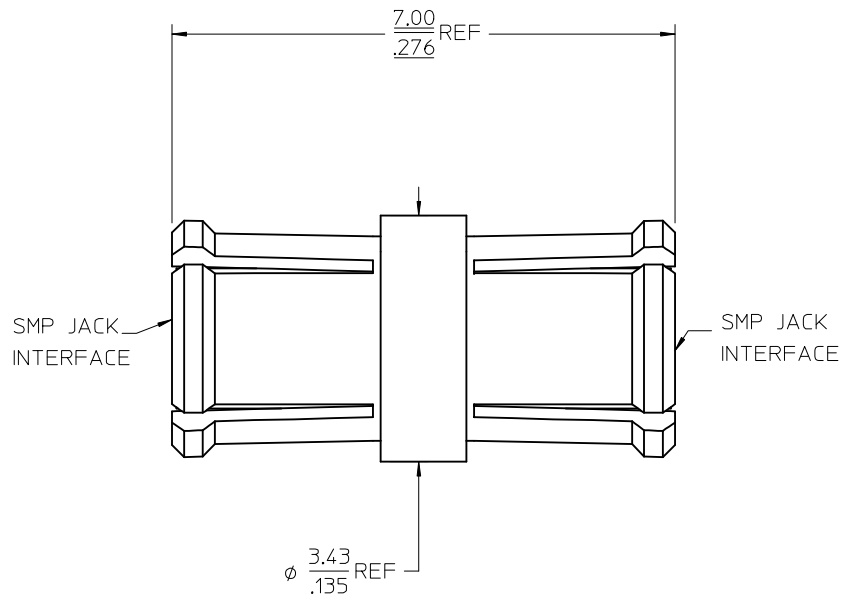
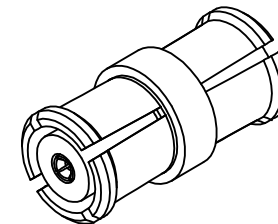


MATERIALS AND FINISHES

BODY BERYLLIUM COPPER
PLATED GOLD

CENTER CONTACT BERYLLIUM COPPER
PLATED GOLD

INSULATOR TEFLON



MIL-STD-348A, FIG. 326.1	INTERFACE
SPECIFICATION	DESCRIPTION

73415-3022	PLACE 73415-3020 INTO SMALL TRAY 897077-0308
73415-3021	PLACE 73415-3020 ONE PER BAG
73415-3020	BULK PACK
PART NO.	DESCRIPTION

CHG: ADDED 73415-3021 & -3022 EC NO: URF2009-0353 DRW: CLLI CHKD: APPR: MHUANG	2009/01/05 2009/01/06 2009/01/06	DESCRIPTION REV	QUALITY SYMBOLS ▽=0 ▽=0	GENERAL TOLERANCES (UNLESS SPECIFIED) <table border="1"> <tr> <th></th> <th>mm</th> <th>INCH</th> </tr> <tr> <td>4 PLACES</td> <td>± ---</td> <td>± ---</td> </tr> <tr> <td>3 PLACES</td> <td>± ---</td> <td>± ---</td> </tr> <tr> <td>2 PLACES</td> <td>± ---</td> <td>± ---</td> </tr> <tr> <td>1 PLACE</td> <td>± ---</td> <td>± ---</td> </tr> </table> ANGULAR ± 2 °		mm	INCH	4 PLACES	± ---	± ---	3 PLACES	± ---	± ---	2 PLACES	± ---	± ---	1 PLACE	± ---	± ---	DIMENSION STYLE MM/IN	SCALE DESIGN UNITS METRIC	THIRD ANGLE PROJECTION
				mm	INCH																	
			4 PLACES	± ---	± ---																	
			3 PLACES	± ---	± ---																	
2 PLACES	± ---	± ---																				
1 PLACE	± ---	± ---																				
DRAWN BY SSS		DATE 03/01/28	TITLE SMP JACK ADAPTER SMP-J/J/ADP																			
CHECKED BY TEF		DATE 03/01/28	APPROVED BY GMH																			
MATERIAL NO. SEE TABLE		DATE 03/01/28	MOLEX INCORPORATED		SHEET NO. 1 OF 1																	

DRAFT WHERE APPLICABLE
MUST REMAIN
WITHIN DIMENSIONS

THIS DRAWING CONTAINS INFORMATION THAT IS PROPRIETARY TO MOLEX INCORPORATED AND SHOULD NOT BE USED WITHOUT WRITTEN PERMISSION