

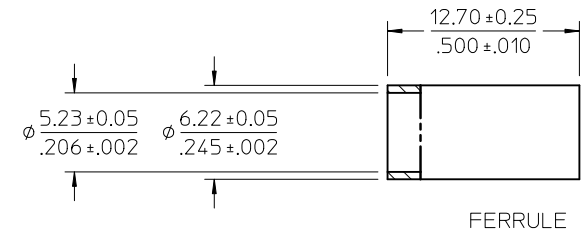
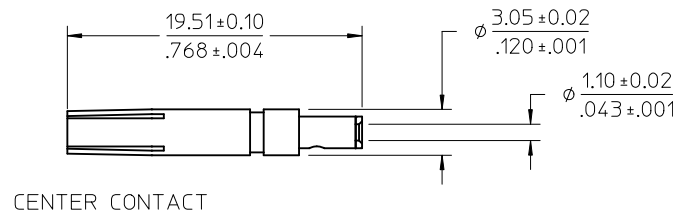
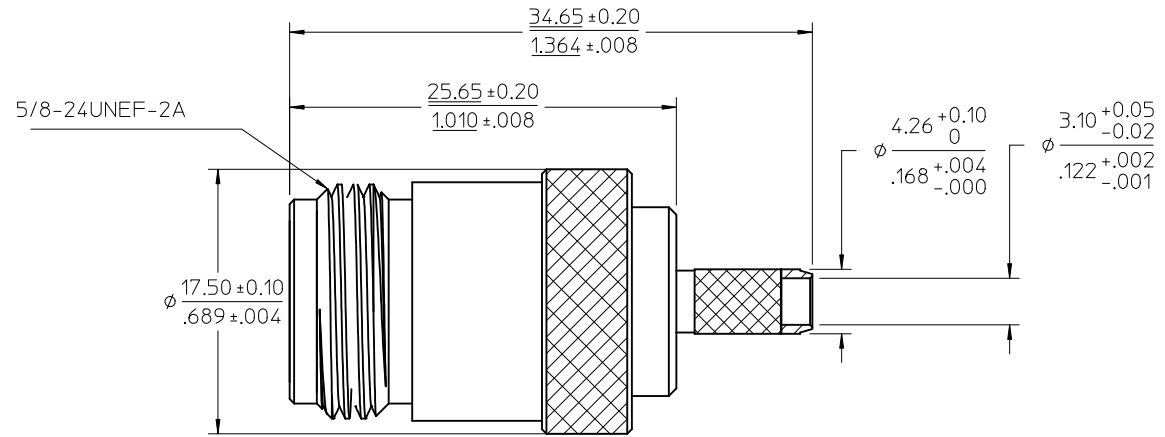
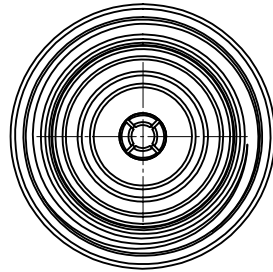
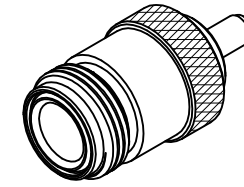
MATERIALS AND FINISHES

BODY , FERRULE BRASS
PLATED NICKEL

INSULATOR TEFLON

FEMALE CONTACT PHOSPHOR BRONZE
PLATED GOLD

CABLE ATTACHMEN
CENTER CONTACT, CRIMP (HEX 1.69)
OUTER CONTACT , CRIMP (HEX 5.41)



PS-73598-0033	PRODUCT SPECIFICATION
AS-73597-0032	ASSY INSTRUCTION
ES-73599-0000	INTERFACE
SPECIFICATION	DESCRIPTION

73276-2350	SINGLE BAG-73100-0033 PER BAG
73100-0033	STANDARD
PART NO.	DESCRIPTION (PACKING)

CHG/PART NO. TYPE 73276-2350 WAS 73100-2350 EWR RF12-E024 EC NO: URF2012-0350 2011/12/19 DRAWN: CHENG CHKD: APPR: MHIUANG 2011/12/21 DESCRIPTION	QUALITY SYMBOLS	GENERAL TOLERANCES (UNLESS SPECIFIED)	DIMENSION STYLE	SCALE	DESIGN UNITS	THIRD ANGLE PROJECTION	
	∇=0 ∇=0 ∇=0	mm INCH 4 PLACES ± --- ± --- 3 PLACES ± --- ± --- 2 PLACES ± --- ± --- 1 PLACE ± --- ± --- ANGULAR ± ---°	MM/IN	DRAWN BY DATE AZR 2011/03/30 CHECKED BY DATE SSS 2011/03/30 APPROVED BY DATE JWIENER 2011/03/31	INCH	INCH	N JACK STRAIGHT FOR RG58 N-JC
	A3	DRAFT WHERE APPLICABLE MUST REMAIN WITHIN DIMENSIONS	SEE TABLE	MOLEX	DOCUMENT NO.	SHEET NO.	
				MOLEX INCORPORATED	SD-73100-0033	1 OF 1	

THIS DRAWING CONTAINS INFORMATION THAT IS PROPRIETARY TO MOLEX INCORPORATED AND SHOULD NOT BE USED WITHOUT WRITTEN PERMISSION

MATERIALS AND FINISHES

SEE SD-73100-0033

P/N: 73276-2350:

1 PIECE 73100-0033 PLACED IN A SINGLE BAG

73276-2350	ONE PC 73100-0033 PER BAG
73100-0033	STANDARD
PART NO.	PACKAGING

PS-89675-3220	PRODUCT SPECIFICATION
SPECIFICATION	DESCRIPTION

CHG: RELEASE DRAWING.	EC NO: URF-2011-0569	DESCRIPTION
	DRWN: AROBERTSON 2011/03/30	
	CHKD: SSS 2011/03/30	
	APPR: JWIENER 2011/03/31	
A		

QUALITY SYMBOLS	=0 =0
-----------------	----------

GENERAL TOLERANCES (UNLESS SPECIFIED)	<table border="1"> <tr> <th></th> <th>mm</th> <th>INCH</th> </tr> <tr> <td>4 PLACES</td> <td>± .005</td> <td>± .0004</td> </tr> <tr> <td>3 PLACES</td> <td>± .004</td> <td>± .0003</td> </tr> <tr> <td>2 PLACES</td> <td>± .003</td> <td>± .0002</td> </tr> <tr> <td>1 PLACE</td> <td>± .002</td> <td>± .0001</td> </tr> </table>		mm	INCH	4 PLACES	± .005	± .0004	3 PLACES	± .004	± .0003	2 PLACES	± .003	± .0002	1 PLACE	± .002	± .0001
	mm	INCH														
4 PLACES	± .005	± .0004														
3 PLACES	± .004	± .0003														
2 PLACES	± .003	± .0002														
1 PLACE	± .002	± .0001														
ANGULAR	± 2 °															
DRAFT WHERE APPLICABLE MUST REMAIN WITHIN DIMENSIONS																

DIMENSION STYLE	
MM/IN	
DRAWN BY	DATE
AROBERTSON	2011/03/30
CHECKED BY	DATE
SSS	2011/03/30
APPROVED BY	DATE
JWIENER	2011/03/31
MATERIAL NO.	
SEE TABLE	

SCALE	DESIGN UNITS	THIRD ANGLE PROJECTION
INCH	INCH	
TITLE		
N JACK STRAIGHT FOR RG58 N-JC		
MOLEX INCORPORATED		SHEET NO.
SD-73276-235		1 OF 1
THIS DRAWING CONTAINS INFORMATION THAT IS PROPRIETARY TO MOLEX INCORPORATED AND SHOULD NOT BE USED WITHOUT WRITTEN PERMISSION		