

DESIGNED & DIMENSIONED
IN MILLIMETERS [INCHES]

TEM-1XX-02-DH1-X-D-XX

DO NOT
SCALE FROM
THIS PRINT

No OF POSITIONS
-05 THRU -50 (PER ROW)
(IN INCREMENTS OF 5)

LEAD STYLE
-02: SURFACE MOUNT

BODY TYPE
-DH1: DOUBLE HORIZONTAL

PLATING SPECIFICATION
-S: SELECTIVE, .000030 GOLD
ON POST, MATTE TIN ON TAIL
-L: GOLD, .000010 GOLD ON POST
MATTE TIN ON TAIL
-F: FLASH, .000003 GOLD ON POST
MATTE TIN ON TAIL

OPTION
-A: ALIGNMENT PIN
(SEE FIG 2, SHT 2)

ROW SPECIFICATION
-D: DOUBLE

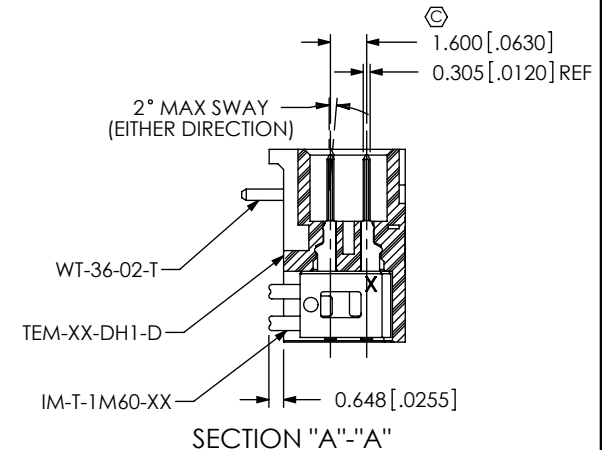
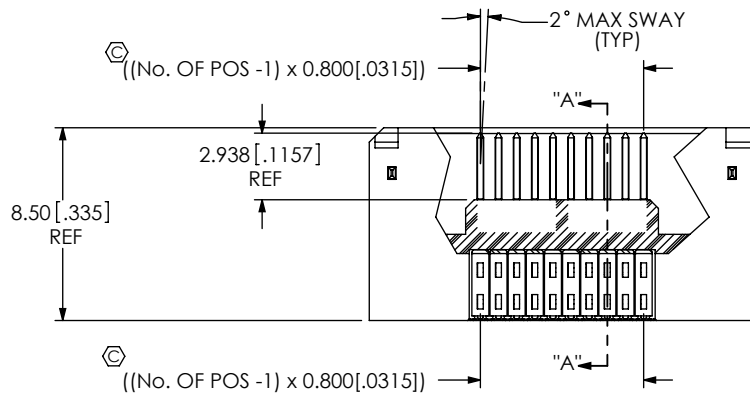
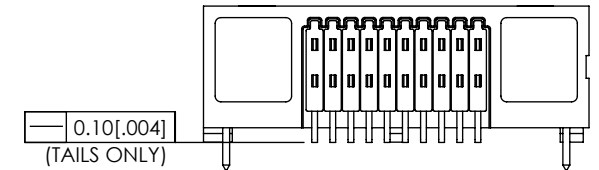
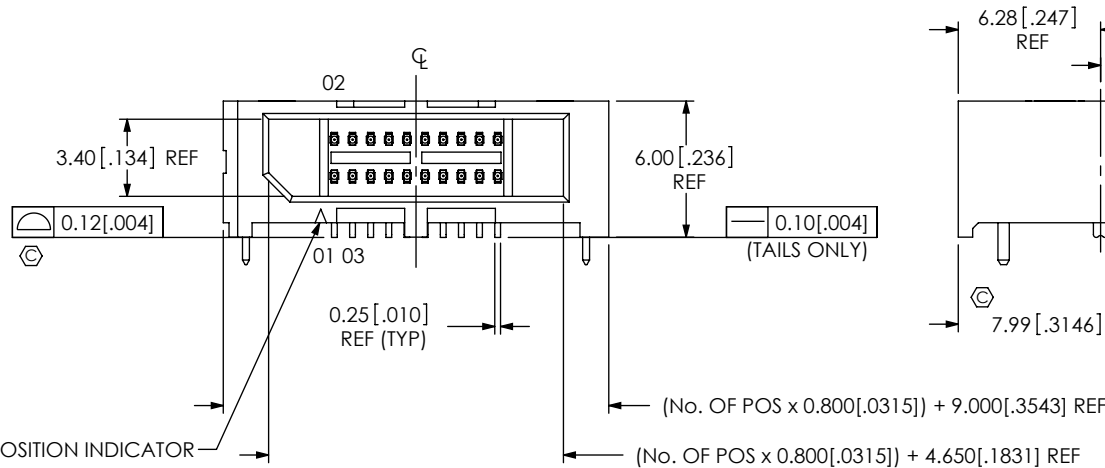
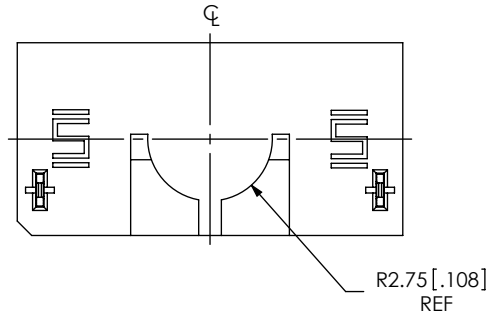


FIG 1
(TEM-110-02-DHT-X-D SHOWN)

NOTES:

1. Ⓢ REPRESENTS A CRITICAL DIMENSION.
2. MINIMUM PUSHOUT FORCE FOR TERMINAL AND WELD TAB: 2.2N [50LBF].
3. PARTS TO BE PACKAGED IN TRAYS UNLESS OTHERWISE SPECIFIED.
4. NOTE DELETED.

UNLESS OTHERWISE SPECIFIED,
DIMENSIONS ARE IN MILLIMETERS.
TOLERANCES ARE:
DECIMALS ANGLES
X.X: ±0.3 [.01] 2°
X.XX: ±0.13 [.005]
X.XXX: ±0.051 [.0020]

PROPRIETARY NOTE
THIS DOCUMENT CONTAINS INFORMATION
CONFIDENTIAL AND PROPRIETARY TO
SAMTEC, INC. AND SHALL NOT BE REPRODUCED
OR TRANSFERRED TO OTHER DOCUMENTS OR
DISCLOSED TO OTHERS OR USED FOR ANY
PURPOSE OTHER THAN THAT WHICH IT WAS
OBTAINED WITHOUT THE EXPRESSED WRITTEN
CONSENT OF SAMTEC, INC.

MATERIAL: DO NOT SCALE DRAWING SHEET SCALE: 1:0.333333
INSULATOR: VECTRA E130i, COLOR: BLACK
TERMINAL: PHOS BRONZE 510
WELD TAB: BRASS ALLOY 260, FULL HARD

samtec	
520 PARK EAST BLVD., NEW ALBANY, IN 47150 PHONE: 812-944-6733 FAX: 812-948-5047 e-Mail: info@SAMTEC.com code: 55322	
DESCRIPTION: TEM DOUBLE HORIZONTAL ASSY	
DWG. NO. TEM-1XX-02-DH1-X-D-XX	
BY: B RAY	02-22-2008
SHEET 1 OF 2	

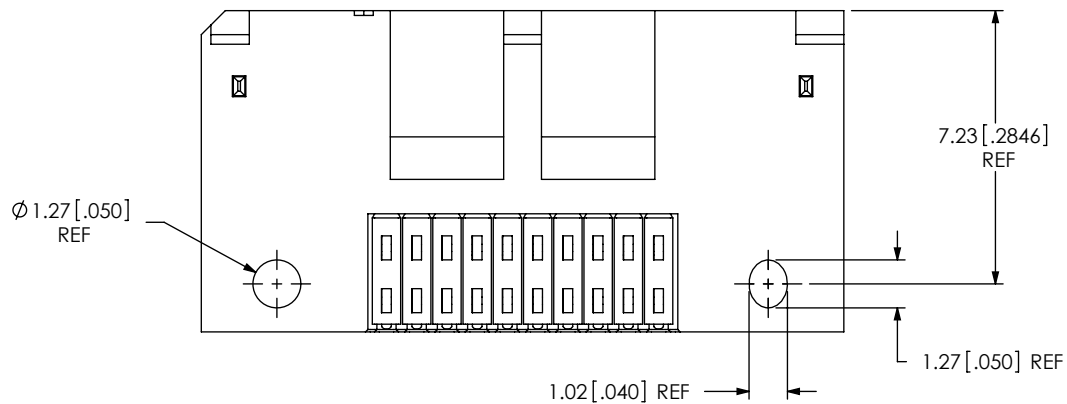
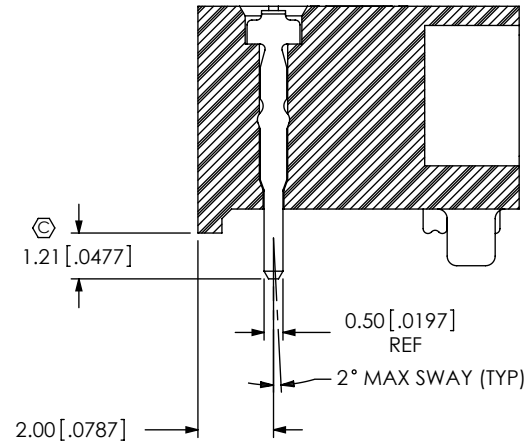
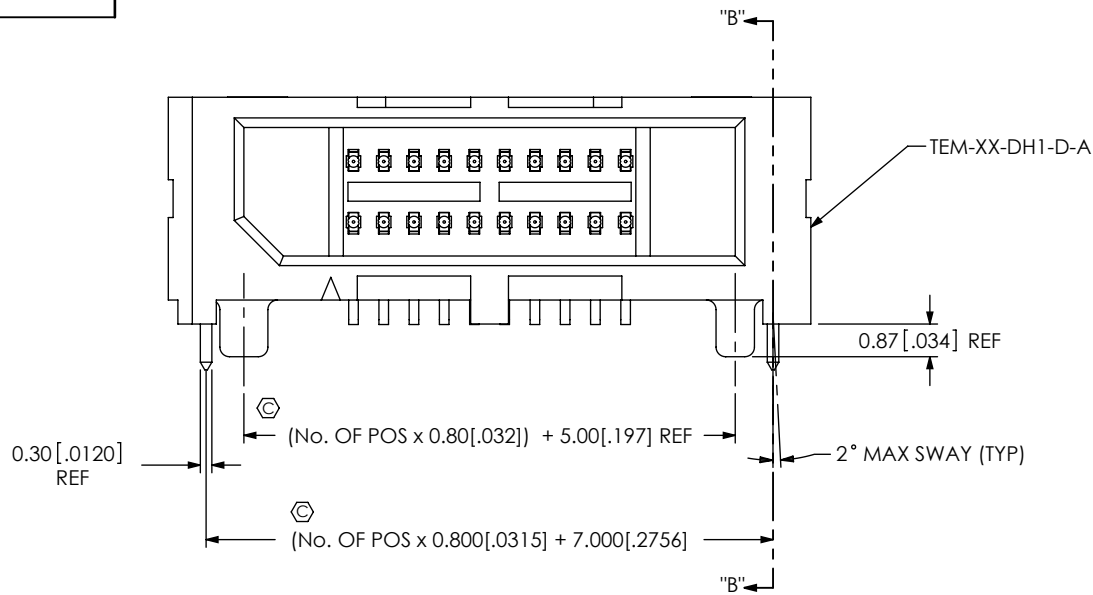



FIG 2
(TEM-110-02-DH1-X-D-A SHOWN)
(SAME AS FIG 1, DIFFERENT AS SHOWN)

<p>PROPRIETARY NOTE</p> <p>THIS DOCUMENT CONTAINS INFORMATION CONFIDENTIAL AND PROPRIETARY TO SAMTEC, INC. AND SHALL NOT BE REPRODUCED OR TRANSFERRED TO OTHER DOCUMENTS OR DISCLOSED TO OTHERS OR USED FOR ANY PURPOSE OTHER THAN THAT WHICH IT WAS OBTAINED WITHOUT THE EXPRESSED WRITTEN CONSENT OF SAMTEC, INC.</p> <p>DO NOT SCALE DRAWING</p> <p>SHEET SCALE: 4:1</p>			
	<p>520 PARK EAST BLVD, NEW ALBANY, IN 47150 PHONE: 812-944-6733 FAX: 812-948-5047 e-Mail: info@SAMTEC.com code: 55322</p>		
	<p>DESCRIPTION: TEM DOUBLE HORIZONTAL ASSY</p>		
	<p>DWG. NO. TEM-1XX-02-DH1-X-D-XX</p>		
	BY: B RAY	02-22-2008	SHEET 2 OF 2