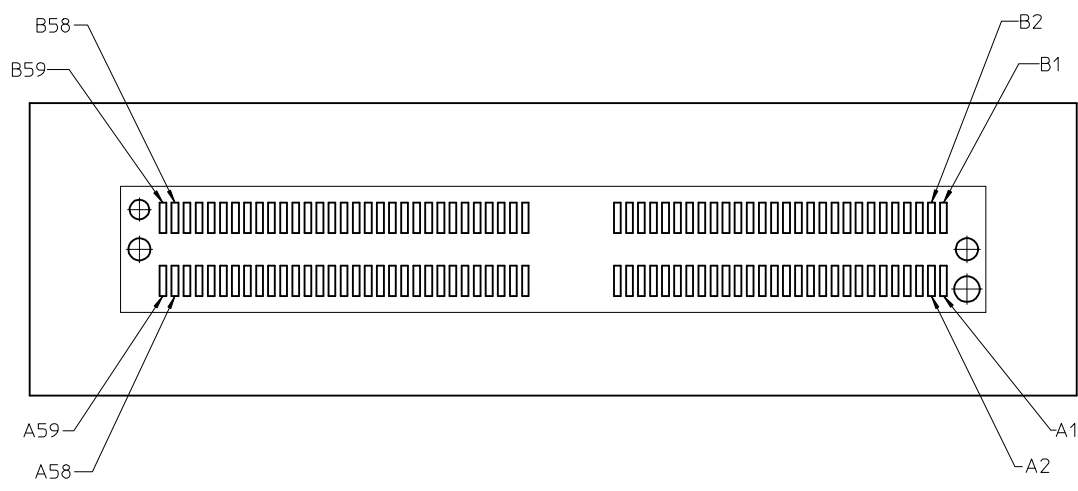
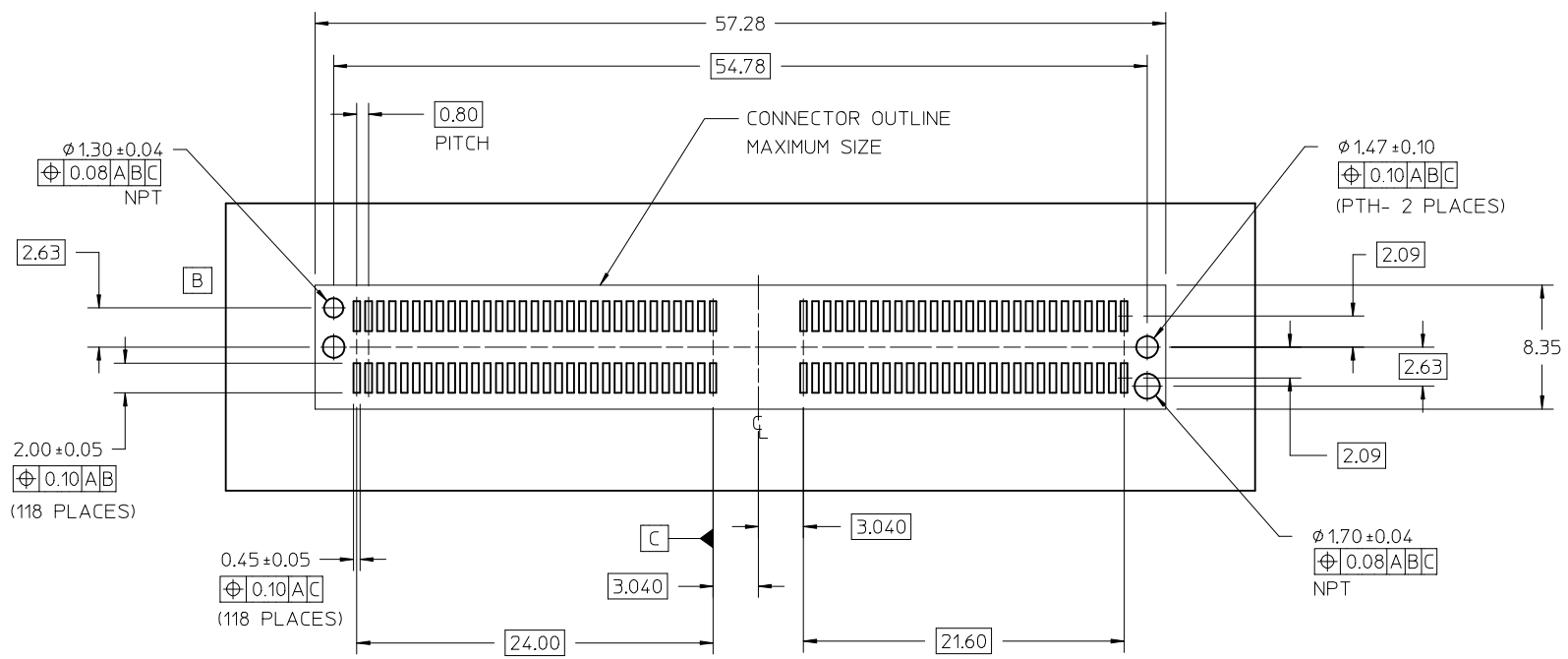


- NOTES:
- MATERIAL:
HOUSING - GLASS FILLED THERMOPLASTIC, 94-V0, BLACK
TERMINALS - HIGH PERFORMANCE COPPER ALLOY
 - FINISH:
CONTACT AREA: SELECT GOLD 0.76µm MIN
SOLDER TAIL: 2.54µm MIN TIN (MATTE)
UNDERPLATE: 1.27µm MIN NICKEL ALL OVER
 - PRODUCT SPECIFICATION: PS-171774-0001.
 - PACKAGING SPECIFICATION: PK-171812-1000.
 - APPLICATION SPECIFICATION: AS-171774-0001.
 - MATING PC BOARD THICKNESS = 1.60±0.16MM OVER CONTACT PADS.
 - PRODUCT IS ELV AND RoHS COMPLIANT. LEVEL OF COMPLIANCE: 6/6
ALL BANNED SUBSTANCES ARE REMOVED:
Pb (LEAD)
HEXAVALENT CHROMIUM (CrVI)
CADMIUM
MERCURY
POLYBROMINATED BIPHENYL (PBB)
POLYBROMINATED DIPHENYL ETHER (PBDE)
 - THIS PART CONFORMS TO CLASS B REQUIREMENTS OF COSMETIC SPEC PS-45499-002

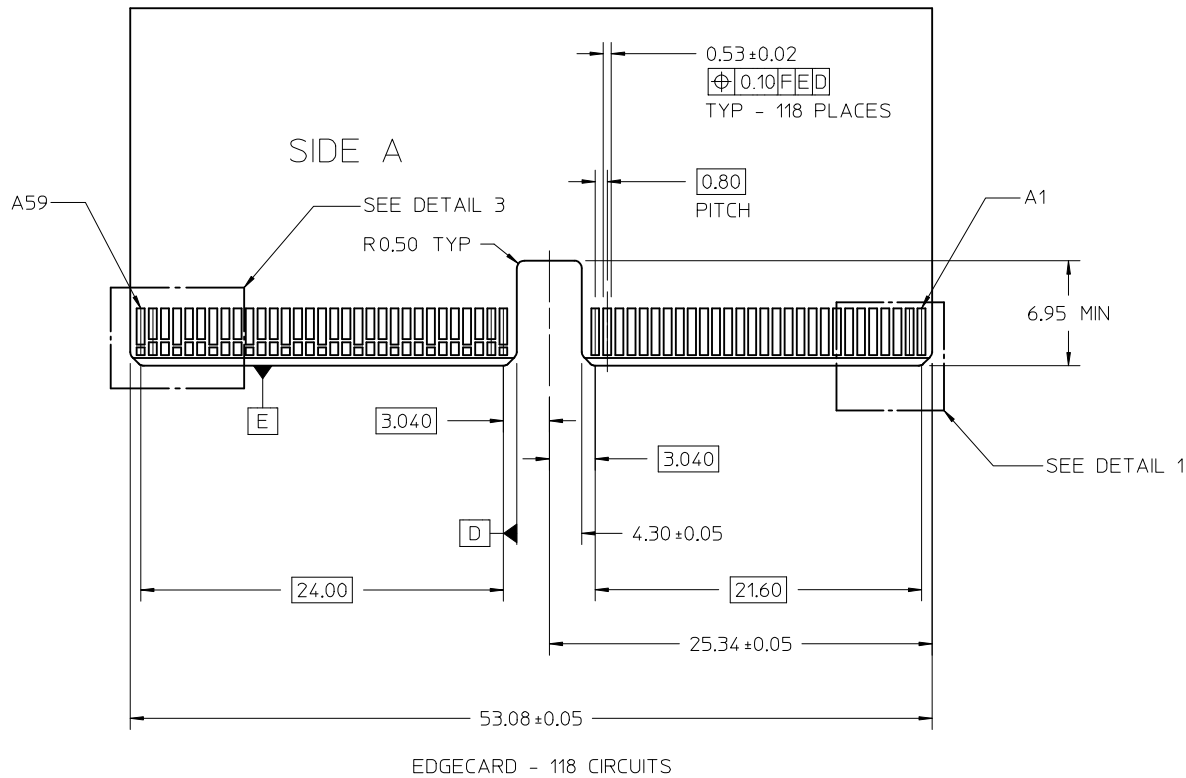
PICK AND PLACE CAP POSITION

UPDATE DRAWING VIEWS EC NO: S2015-0208 DRWING:HL LONG 2014/09/03 CHKD:CGTAN 2014/09/23 APPR:SHLENI 2014/09/23	DESCRIPTION REV 0 0 0	QUALITY SYMBOLS ▽ = 0 ▽ = 0 ▽ = 0	GENERAL TOLERANCES (UNLESS SPECIFIED)		DIMENSION STYLE MM ONLY	SCALE 4:1	DESIGN UNITS METRIC	THIRD ANGLE PROJECTION		
			mm	INCH	DRAWN BY DROSCA	DATE 2012/08/20	TITLE VERTICAL ZEDGE 118CKTS SALES DRAWING			
			4 PLACES ± ---	± ---	CHECKED BY KPELOZA	DATE 2012/08/20				
DRAFT WHERE APPLICABLE MUST REMAIN WITHIN DIMENSIONS			ANGULAR ±1/2°		APPROVED BY JCOMERC I	DATE 2012/09/19	MOLEX INCORPORATED		SHEET NO. 1 OF 4	
			MATERIAL NO. 1717742118		DOCUMENT NO. SD-171774-2118		THIS DRAWING CONTAINS INFORMATION THAT IS PROPRIETARY TO MOLEX INCORPORATED AND SHOULD NOT BE USED WITHOUT WRITTEN PERMISSION			

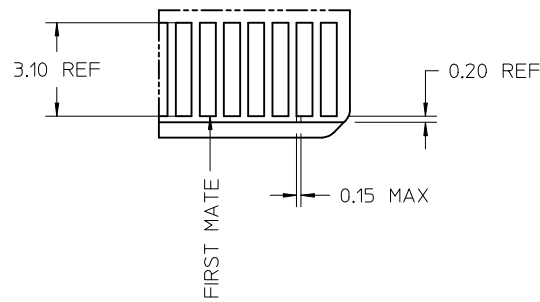
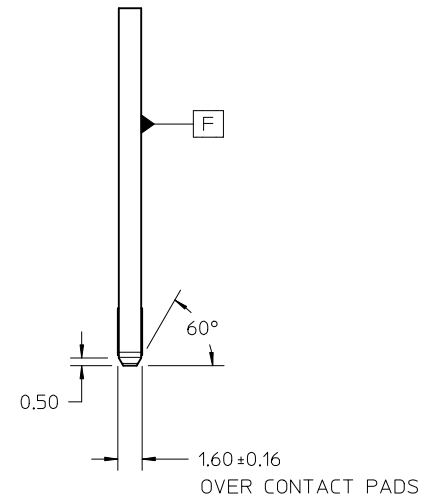


FOOT PRINT NOTES:
 1. DATUM -A- IS THE TOP OF THE PCB.

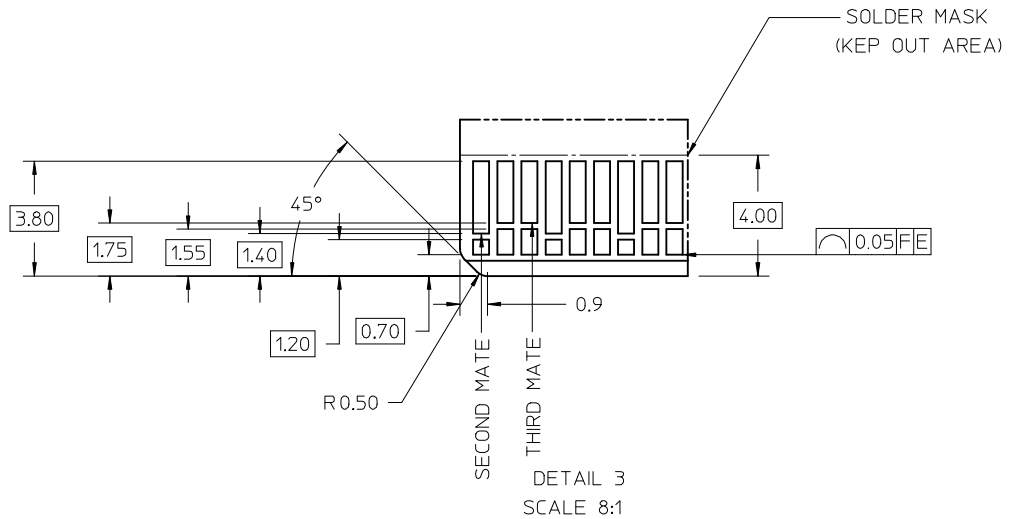
SEE SHEET 1 EC NO: S2015-0208 DRAWN: WHL LONG 2014/09/03 CHKD: CGTAN 2014/09/23 APPR: SHILENI 2014/09/23	QUALITY SYMBOLS $\nabla=0$ $\nabla=0$ $\nabla=0$	GENERAL TOLERANCES (UNLESS SPECIFIED) <table border="1"> <tr> <th></th> <th>mm</th> <th>INCH</th> </tr> <tr> <td>4 PLACES</td> <td>± ---</td> <td>± ---</td> </tr> <tr> <td>3 PLACES</td> <td>± ---</td> <td>± ---</td> </tr> <tr> <td>2 PLACES</td> <td>± 0.15</td> <td>± ---</td> </tr> <tr> <td>1 PLACE</td> <td>± 0.25</td> <td>± ---</td> </tr> </table>		mm	INCH	4 PLACES	± ---	± ---	3 PLACES	± ---	± ---	2 PLACES	± 0.15	± ---	1 PLACE	± 0.25	± ---	DIMENSION STYLE MM ONLY DRAWN BY DATE DROSCA 2012/08/20 CHECKED BY DATE KPELOZA 2012/08/20 APPROVED BY DATE JCOMERC I 2012/09/19	SCALE 4:1 DESIGN UNITS METRIC THIRD ANGLE PROJECTION	TITLE VERTICAL ZEDGE 118CKTS SALES DRAWING
		mm	INCH																	
	4 PLACES	± ---	± ---																	
	3 PLACES	± ---	± ---																	
2 PLACES	± 0.15	± ---																		
1 PLACE	± 0.25	± ---																		
MATERIAL NO. SEE SHEET 1	DOCUMENT NO. SD-171774-2118	SHEET NO. 2 OF 4																		
DRAFT WHERE APPLICABLE MUST REMAIN WITHIN DIMENSIONS			THIS DRAWING CONTAINS INFORMATION THAT IS PROPRIETARY TO MOLEX INCORPORATED AND SHOULD NOT BE USED WITHOUT WRITTEN PERMISSION																	
			MOLEX MOLEX INCORPORATED																	



EDGECARD - 118 CIRCUITS



DETAIL 1
RECOMMENDED TIE BAR SIZE

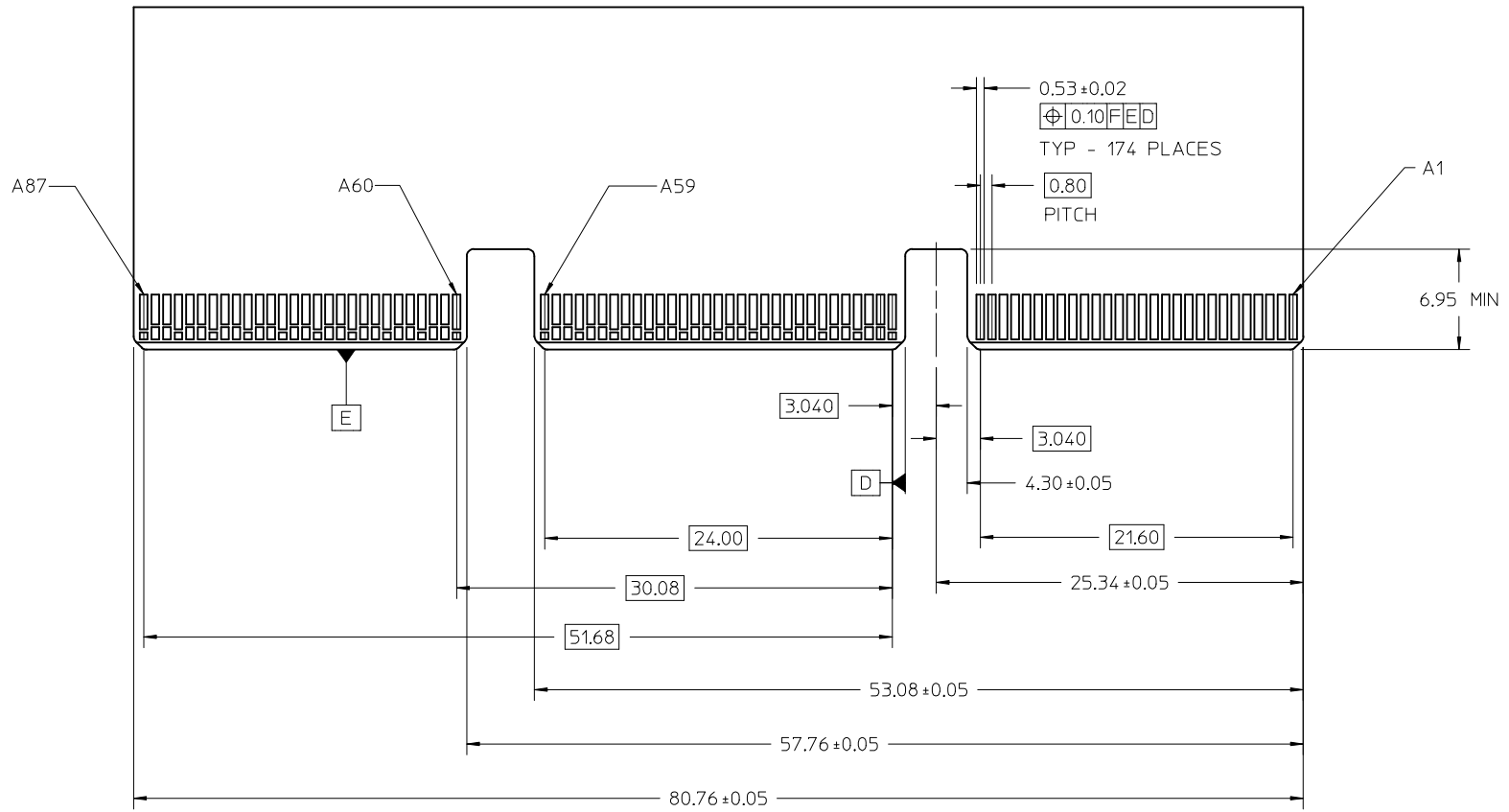


DETAIL 3
SCALE 8:1

NOTE:

1. THESE ARE GENERIC DETAILS THAT DESCRIBES THE CONFIGURATION OF VARIOUS PCB DESIGN ELEMENTS. THE CUSTOMER MUST DETERMINE WHERE AND WHEN TO USE EACH ELEMENT TO ACCOMODATE THEIR SPECIFIC APPLICATION.
2. CHAMFER ROUGHNESS NOT TO EXCEED 3.17µM
3. EDGECARD CHAMFER NOT TO GO THRU GOLD PAD.

SEE SHEET 1 EC NO: S2015-0208 2014/09/03 DRWIN:HLI LONG 2014/09/23 CHKD:CGTAN 2014/09/23 APPR:SHLENI	QUALITY SYMBOLS	GENERAL TOLERANCES (UNLESS SPECIFIED)	DIMENSION STYLE	SCALE	DESIGN UNITS	THIRD ANGLE PROJECTION																																	
	$\nabla=0$ $\nabla=0$	<table border="1"> <thead> <tr> <th></th> <th>mm</th> <th>INCH</th> </tr> </thead> <tbody> <tr> <td>4 PLACES</td> <td>± ---</td> <td>± ---</td> </tr> <tr> <td>3 PLACES</td> <td>± ---</td> <td>± ---</td> </tr> <tr> <td>2 PLACES</td> <td>± 0.15</td> <td>± ---</td> </tr> <tr> <td>1 PLACE</td> <td>± 0.25</td> <td>± ---</td> </tr> </tbody> </table>		mm	INCH	4 PLACES	± ---	± ---	3 PLACES	± ---	± ---	2 PLACES	± 0.15	± ---	1 PLACE	± 0.25	± ---	<table border="1"> <thead> <tr> <th colspan="2">MM ONLY</th> </tr> <tr> <th>DRAWN BY</th> <th>DATE</th> </tr> </thead> <tbody> <tr> <td>DROSCA</td> <td>2012/08/20</td> </tr> <tr> <th colspan="2">CHECKED BY</th> </tr> <tr> <th colspan="2">DATE</th> </tr> <tr> <td>KPELOZA</td> <td>2012/08/20</td> </tr> <tr> <th colspan="2">APPROVED BY</th> </tr> <tr> <th colspan="2">DATE</th> </tr> <tr> <td>JCOMERC I</td> <td>2012/09/19</td> </tr> </tbody> </table>	MM ONLY		DRAWN BY	DATE	DROSCA	2012/08/20	CHECKED BY		DATE		KPELOZA	2012/08/20	APPROVED BY		DATE		JCOMERC I	2012/09/19	4:1	METRIC	
		mm	INCH																																				
	4 PLACES	± ---	± ---																																				
3 PLACES	± ---	± ---																																					
2 PLACES	± 0.15	± ---																																					
1 PLACE	± 0.25	± ---																																					
MM ONLY																																							
DRAWN BY	DATE																																						
DROSCA	2012/08/20																																						
CHECKED BY																																							
DATE																																							
KPELOZA	2012/08/20																																						
APPROVED BY																																							
DATE																																							
JCOMERC I	2012/09/19																																						
SEE SHEET 1 MATERIAL NO. SIZE C	DRAFT WHERE APPLICABLE MUST REMAIN WITHIN DIMENSIONS	THIS DRAWING CONTAINS INFORMATION THAT IS PROPRIETARY TO MOLEX INCORPORATED AND SHOULD NOT BE USED WITHOUT WRITTEN PERMISSION	MOLEX INCORPORATED DOCUMENT NO. SD-171774-2118	SHEET NO. 3 OF 4																																			



EDGECARD - 174 CIRCUITS

SEE SHEET 1 EC NO: S2015-0208 DRAWN: WHL LONG 2014/09/03 CHKD: CGTAN 2014/09/23 APPR: SHLENI 2014/09/23 REV B	QUALITY SYMBOLS $\nabla = 0$ $\nabla = 0$ $\nabla = 0$	GENERAL TOLERANCES (UNLESS SPECIFIED)		DIMENSION STYLE MM ONLY	SCALE 4:1	DESIGN UNITS METRIC	THIRD ANGLE PROJECTION		
		4 PLACES \pm --- \pm ---	3 PLACES \pm --- \pm ---	2 PLACES ± 0.15 \pm ---	1 PLACE ± 0.25 \pm ---	0 PLACE \pm --- \pm ---	DRAWN BY DROSCA	DATE 2012/08/20	TITLE VERTICAL ZEDGE 118CKTS SALES DRAWING
		ANGULAR $\pm 1/2^\circ$		MATERIAL NO. SEE SHEET 1	DOCUMENT NO. SD-171774-2118	SHEET NO. 4 OF 4			
		DRAFT WHERE APPLICABLE MUST REMAIN WITHIN DIMENSIONS		THIS DRAWING CONTAINS INFORMATION THAT IS PROPRIETARY TO MOLEX INCORPORATED AND SHOULD NOT BE USED WITHOUT WRITTEN PERMISSION					