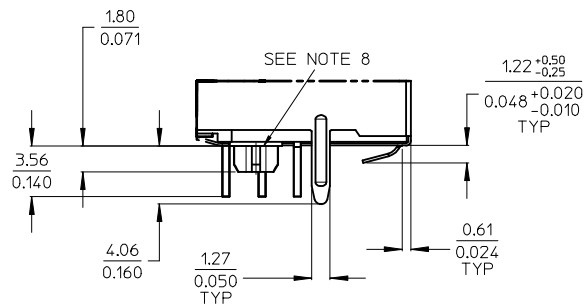
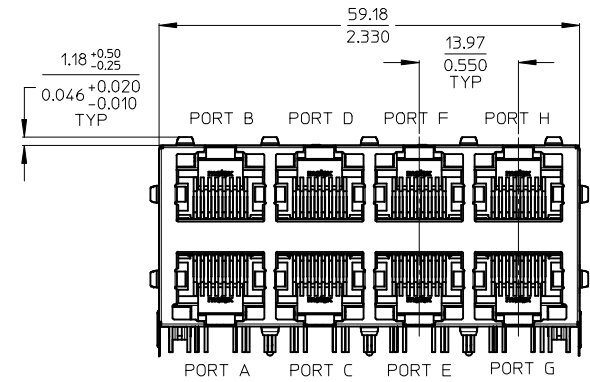
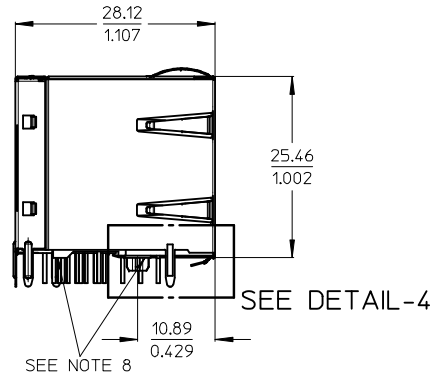
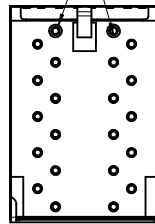


# GIGABIT MAGNETIC JACK 2x4 LED

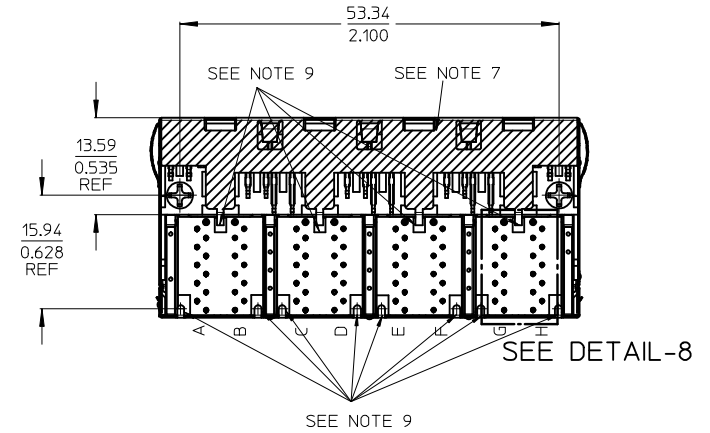


DETAIL-4  
SCALE 4:1

SEE NOTE 9



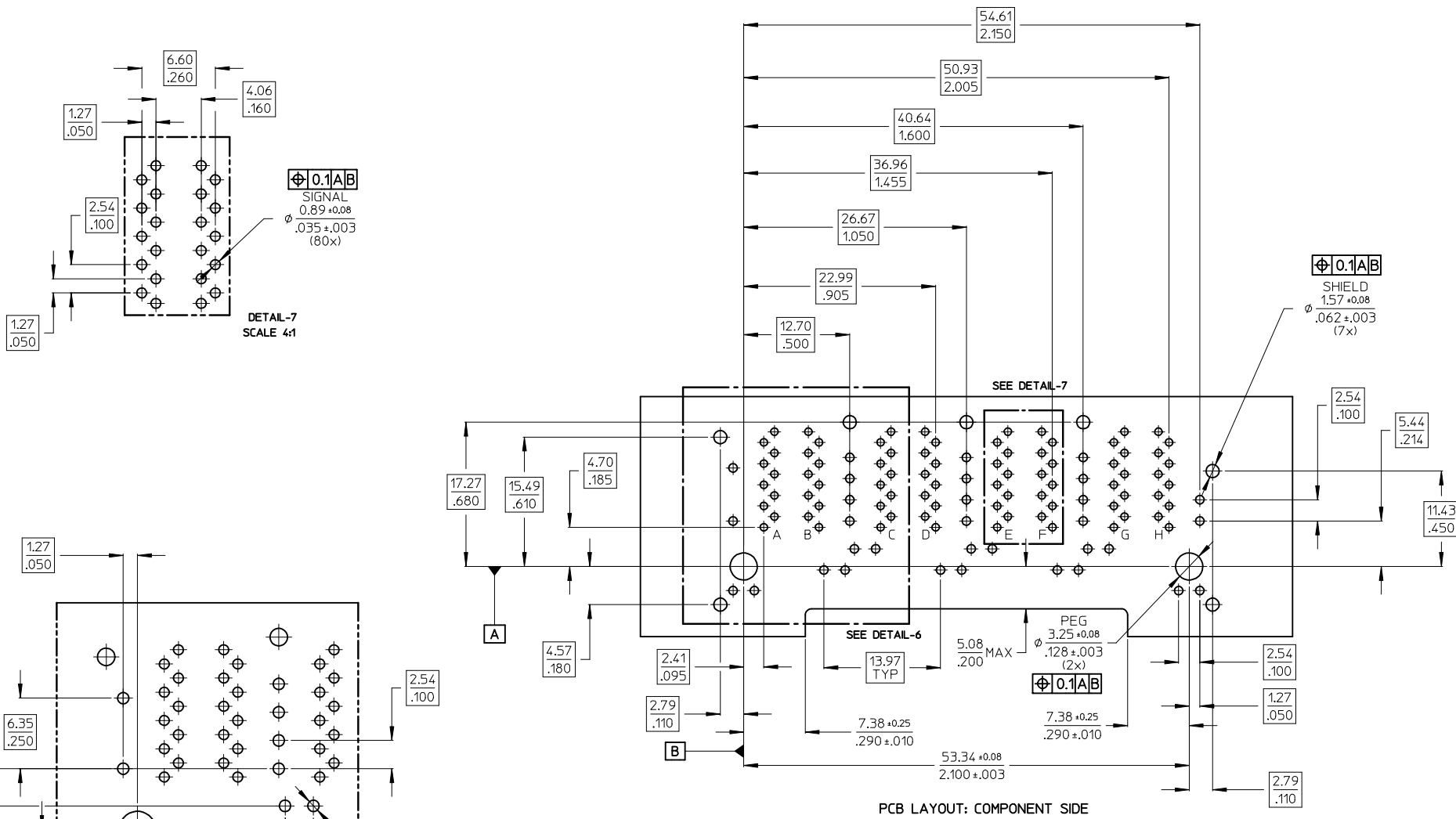
DETAIL-8  
SCALE 4:1



NOTES:

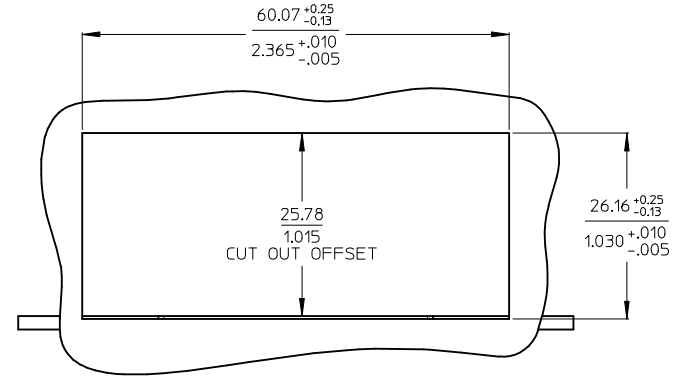
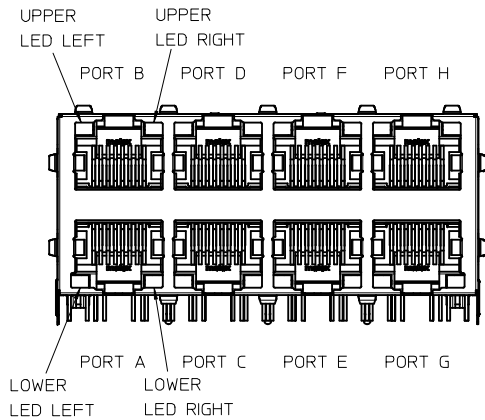
- 1 - SHIELD MATERIAL: BRASS, PLATING: NICKEL PRE-PLATING
- 2 - PLASTIC MATERIAL: POLYESTER (PBT)BLACK, 30%GR, UL 94V-0
- 3 - TERMINALS MATERIAL: COPPER ALLOY  
RJ45 CONTACT AREA PLATING: 0.76 MICROMETER GOLD OVER 1.9 MICROMETER NICKEL  
SOLDER TERMINALS: 3 MICROMETER TIN
- 4 - MATING INTERFACE ACCORDING TO IEC 60603-7
- 5 - PRODUCT SPECIFICATION: PS-85728-001
- 6 - PACKAGING SPECIFICATION: PK-85727-001
- 7 - TRACES WITHOUT INSULATION NOT ALLOWED IN THE DASHED AREAS.  
(TO AVOID SHORTS TO SHIELD)
- 8 - STAND OFF TO SYSTEM BOARD
- 9 - STUBBED PINS AND SHIELD LATCHES AVOID TO ROUTE TRACES OR TO PLACE ANY VIAS OR PADS BELOW THESE PINS
- 10 - FOR MAGNETIC AND LED INFORMATION SEE SPEC PS-85728-001

| <b>ENTER DESCRIPTION</b><br>EC NO: IFC2012-0811<br>DRWN: JBADER 2012/04/27<br>CHKD: MMANGARUDOV 2013/03/27<br>APPR: SSTEINKE 2014/01/10 | QUALITY SYMBOLS<br>▽=0<br>▽=0   | GENERAL TOLERANCES (UNLESS SPECIFIED)<br><table border="1"> <thead> <tr> <th></th> <th>mm</th> <th>INCH</th> </tr> </thead> <tbody> <tr> <td>4 PLACES</td> <td>± ---</td> <td>± ---</td> </tr> <tr> <td>3 PLACES</td> <td>± ---</td> <td>± ---</td> </tr> <tr> <td>2 PLACES</td> <td>± 0.25</td> <td>± ---</td> </tr> <tr> <td>1 PLACE</td> <td>± 0.5</td> <td>± ---</td> </tr> <tr> <td colspan="3">ANGULAR ± .5 °</td> </tr> </tbody> </table> |       | mm  | INCH | 4 PLACES | ± --- | ± --- | 3 PLACES | ± --- | ± --- | 2 PLACES | ± 0.25 | ± --- | 1 PLACE | ± 0.5 | ± --- | ANGULAR ± .5 ° |  |  | DIMENSION STYLE<br><b>MM ONLY</b> | SCALE<br><b>2:1</b> | DESIGN UNITS<br><b>METRIC</b> | THIRD ANGLE PROJECTION |
|---|---|--|-------|---|------|----------|-------|-------|----------|-------|-------|----------|--------|-------|---------|-------|-------|----------------|--|--|-----------------------------------|---------------------|-------------------------------|------------------------|
|   |   | mm   | INCH  |   |      |          |       |       |          |       |       |          |        |       |         |       |       |                |  |  |                                   |                     |                               |                        |
|   | 4 PLACES  | ± ---  | ± --- |   |      |          |       |       |          |       |       |          |        |       |         |       |       |                |  |  |                                   |                     |                               |                        |
|   | 3 PLACES  | ± ---  | ± --- |   |      |          |       |       |          |       |       |          |        |       |         |       |       |                |  |  |                                   |                     |                               |                        |
| 2 PLACES  | ± 0.25  | ± ---  |       |   |      |          |       |       |          |       |       |          |        |       |         |       |       |                |  |  |                                   |                     |                               |                        |
| 1 PLACE   | ± 0.5   | ± ---  |       |   |      |          |       |       |          |       |       |          |        |       |         |       |       |                |  |  |                                   |                     |                               |                        |
| ANGULAR ± .5 °  |   |  |       |   |      |          |       |       |          |       |       |          |        |       |         |       |       |                |  |  |                                   |                     |                               |                        |
| DRAWN BY: MMANGARUDOV 2010/05/07<br>CHECKED BY: JBADER 2010/05/10<br>APPROVED BY: SSTEINKE 2012/04/24                                   | TITLE<br><b>GIGABIT MAGNETIC JACK 2X4 LED</b>   |  |       | MATERIAL NO.                                  |      |          |       |       |          |       |       |          |        |       |         |       |       |                |  |  |                                   |                     |                               |                        |
| DRAFT WHERE APPLICABLE MUST REMAIN WITHIN DIMENSIONS  | SEE SHEET 3   |  |       | MOLEX INCORPORATED                            |      |          |       |       |          |       |       |          |        |       |         |       |       |                |  |  |                                   |                     |                               |                        |
| SIZE A 2  | THIS DRAWING CONTAINS INFORMATION THAT IS PROPRIETARY TO MOLEX INCORPORATED AND SHOULD NOT BE USED WITHOUT WRITTEN PERMISSION |  |       | DOCUMENT NO. SD-85727-001<br>SHEET NO. 1 OF 4 |      |          |       |       |          |       |       |          |        |       |         |       |       |                |  |  |                                   |                     |                               |                        |

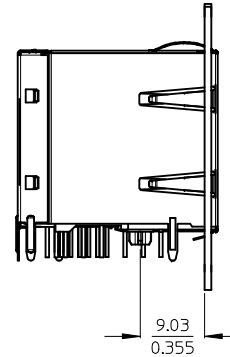
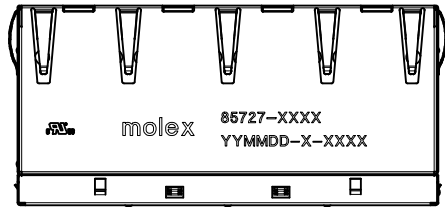


PCB LAYOUT: COMPONENT SIDE

|   |  |  |  |   |                           |   |                               |
|---|--|--|--|---|---------------------------|---|-------------------------------|
| <b>ENTER DESCRIPTION</b><br>EC NO: IPC2012-0811<br>DRAWN: JBADER 2012/04/27<br>CHKD: MMANGARUDOV 2013/03/27<br>APPR: SSTE INKE 2014/01/10 | <b>QUALITY SYMBOLS</b><br>$\nabla=0$<br>$\nabla=0$ | <b>GENERAL TOLERANCES (UNLESS SPECIFIED)</b>   |  | <b>DIMENSION STYLE</b><br>MM ONLY             | <b>SCALE</b><br>3:1       | <b>DESIGN UNITS</b><br>METRIC   | <b>THIRD ANGLE PROJECTION</b> |
|   |  | 4 PLACES $\pm$ --- $\pm$ ---<br>3 PLACES $\pm$ --- $\pm$ ---<br>2 PLACES $\pm 0.25$ $\pm$ ---<br>1 PLACE $\pm 0.5$ $\pm$ ---<br>ANGULAR $\pm .5^\circ$ | mm INCH<br>DRAWN BY: MMANGARUDOV<br>DATE: 2010/05/07<br>CHECKED BY: JBADER<br>DATE: 2010/05/10<br>APPROVED BY: SSTE INKE<br>DATE: 2012/04/24<br>MATERIAL NO. | TITLE<br><b>GIGABIT MAGNETIC JACK 2X4 LED</b> | <b>MOLEX INCORPORATED</b> | DOCUMENT NO.<br><b>SD-85727-001</b>                                   | SHEET NO.<br><b>2 OF 4</b>    |
| <b>B</b>  | <b>DESCRIPTION</b>                                 | DRAFT WHERE APPLICABLE MUST REMAIN WITHIN DIMENSIONS   |  | <b>SEE SHEET 3</b>                            |                           | <b>INCORPORATED AND SHOULD NOT BE USED WITHOUT WRITTEN PERMISSION</b> |                               |



SUGGESTED PANEL CUT OUT

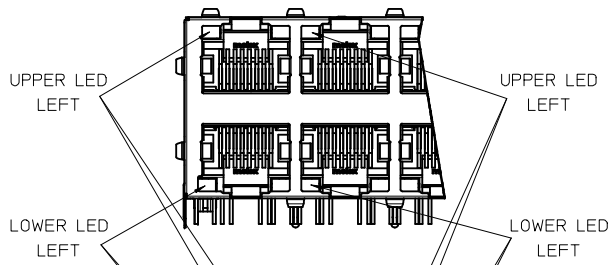


| PART NUMBER | UPPER & LOWER LED LEFT |        | UPPER & LOWER LED RIGHT |        |
|-------------|------------------------|--------|-------------------------|--------|
|             | COLOUR 1               | GREEN  | COLOUR 1                | GREEN  |
| 85727-1001  |                        |        |                         |        |
| 85727-1002  | COLOUR 1               | GREEN  | COLOUR 1                | GREEN  |
|             | COLOUR 2               | ORANGE |                         |        |
| 85727-1003  | COLOUR 1               | GREEN  | COLOUR 1                | YELLOW |
|             |                        |        |                         |        |
| 85727-1004  | COLOUR 1               | GREEN  | COLOUR 1                | GREEN  |
|             | COLOUR 2               | ORANGE | COLOUR 2                | ORANGE |
| 85727-1006  | COLOUR 1               | GREEN  | COLOUR 1                | ORANGE |
|             |                        |        |                         |        |
| 85727-1008  | COLOUR 1               | GREEN  | COLOUR 1                | GREEN  |
|             | COLOUR 2               | YELLOW | COLOUR 2                | YELLOW |
| 85727-1012  | COLOUR 1               | YELLOW | COLOUR 1                | YELLOW |
|             | COLOUR 2               | GREEN  | COLOUR 2                | GREEN  |
| 85727-1013  | COLOUR 1               | YELLOW | COLOUR 1                | GREEN  |
|             | COLOUR 2               | GREEN  |                         |        |
| 85727-1014  | COLOUR 1               | YELLOW | COLOUR 1                | GREEN  |
|             |                        |        |                         |        |
| 85727-1016  | COLOUR 1               | GREEN  | COLOUR 1                | GREEN  |
|             |                        |        | COLOUR 2                | YELLOW |

ADDITIONAL LED COLOURS AND CONFIGURATIONS AVAILABLE ON REQUEST

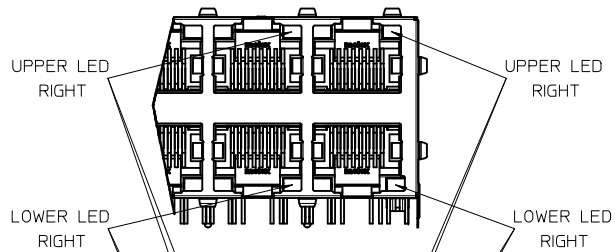
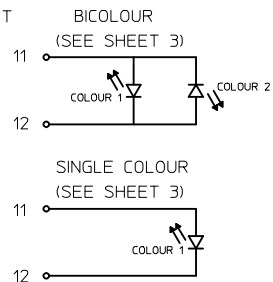
- NOTED:  
 1 - PRINTING MARKED BY LASER  
 2 - INSCRIPTION:  
 1st LINE: PART NUMBER  
 2nd LINE: DATE CODE (YEAR,MONTH,DAY) - MANUFACTURER ID - COSECUTIVE NUMBER  
 3 - UL LOGO

|  |                               |  |       |   |                    |   |                        |                        |
|--|-------------------------------|--|-------|---|--------------------|---|------------------------|------------------------|
| ENTER DESCRIPTION<br>EC NO: IPG2012-0811<br>2012/04/27<br>DRWN: JBADER<br>CHKD: MMANGARUDOV 2013/03/27<br>APPR: SSTE INKE 2014/01/10 | QUALITY SYMBOLS<br>▽=0<br>▽=0 | GENERAL TOLERANCES (UNLESS SPECIFIED)                |       | DIMENSION STYLE<br>MM ONLY  |                    | SCALE<br>2:1                              | DESIGN UNITS<br>METRIC | THIRD ANGLE PROJECTION |
|  |                               | mm   | INCH  | DRAWN BY<br>MMANGARUDOV   | DATE<br>2010/05/07 | TITLE<br>GIGABIT MAGNETIC JACK<br>2X4 LED |                        |                        |
| REV<br>B   | DESCRIPTION                   | 4 PLACES ± ---                                       | ± --- | CHECKED BY<br>JBADER  | DATE<br>2010/05/10 | MOLEX MOLEX INCORPORATED                  |                        |                        |
|  |                               | 3 PLACES ± ---                                       | ± --- | APPROVED BY<br>SSTE INKE  | DATE<br>2012/04/24 | DOCUMENT NO.<br>SD-85727-001              | SHEET NO.<br>3 OF 4    |                        |
|  |                               | 2 PLACES ± 0.25                                      | ± --- | THIS DRAWING CONTAINS INFORMATION THAT IS PROPRIETARY TO MOLEX INCORPORATED AND SHOULD NOT BE USED WITHOUT WRITTEN PERMISSION |                    |   |                        |                        |
|  |                               | 1 PLACE ± 0.5  | ± --- |   |                    |   |                        |                        |
|  |                               | ANGULAR ± .5 °                                       |       |   |                    |   |                        |                        |
|  |                               | DRAFT WHERE APPLICABLE MUST REMAIN WITHIN DIMENSIONS |       |   |                    |   |                        |                        |



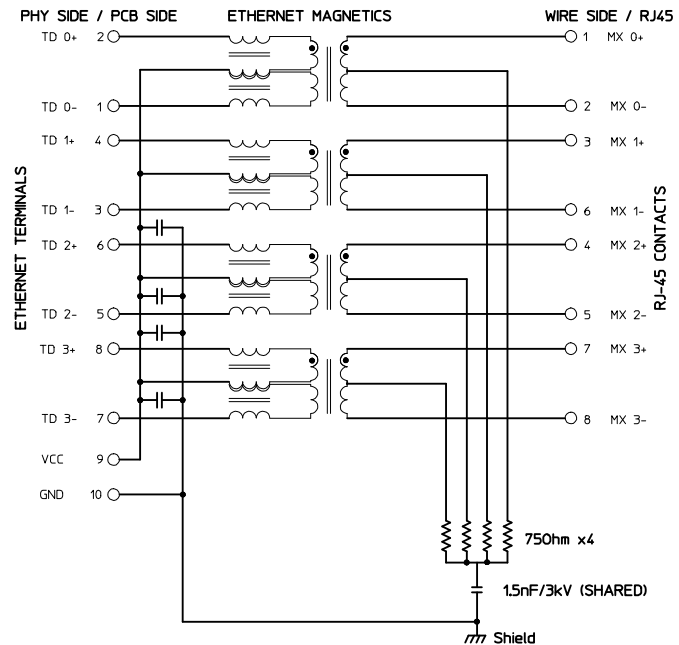
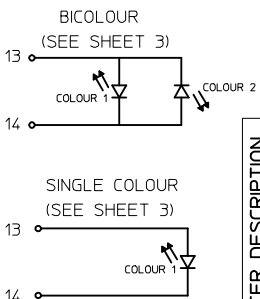
| UPPER & LOWER LEFT LED |          |          |
|------------------------|----------|----------|
| PIN POSITION           | COLOUR 1 | COLOUR 2 |
| 11                     | +        | -        |
| 12                     | -        | +        |

COMPONENT VIEW



| UPPER & LOWER RIGHT LED |          |          |
|-------------------------|----------|----------|
| PIN POSITION            | COLOUR 1 | COLOUR 2 |
| 13                      | +        | +        |
| 14                      | -        | -        |

COMPONENT VIEW



| PIN | ETHERNET MAGNETICS |
|-----|--------------------|
| 10  | GND                |
| 9   | Vcc                |
| 8   | TD 3+              |
| 7   | TD 3-              |
| 6   | TD 2+              |
| 5   | TD 2-              |
| 4   | TD 1+              |
| 3   | TD 1-              |
| 2   | TD 0+              |
| 1   | TD 0-              |

| <b>ENTER DESCRIPTION</b><br>EC NO: IPG2012-0811<br>DRWN: JBADER 2012/04/27<br>CHKD: MMANGARUDOV 2013/03/27<br>APPR: SSTE INKE 2014/01/10 | <b>QUALITY SYMBOLS</b><br><br><br>                          | <b>GENERAL TOLERANCES (UNLESS SPECIFIED)</b><br><table border="1"> <tr> <th></th> <th>mm</th> <th>INCH</th> </tr> <tr> <td>4 PLACES</td> <td>± 0.15</td> <td>± 0.006</td> </tr> <tr> <td>3 PLACES</td> <td>± 0.25</td> <td>± 0.010</td> </tr> <tr> <td>2 PLACES</td> <td>± 0.25</td> <td>± 0.010</td> </tr> <tr> <td>1 PLACE</td> <td>± 0.5</td> <td>± 0.020</td> </tr> </table> ANGULAR ± .5° |   | mm                                  | INCH                       | 4 PLACES  | ± 0.15                    | ± 0.006 | 3 PLACES | ± 0.25 | ± 0.010 | 2 PLACES | ± 0.25 | ± 0.010 | 1 PLACE | ± 0.5 | ± 0.020 | <b>DIMENSION STYLE</b><br><b>MM ONLY</b> | <b>SCALE</b><br><b>2:1</b> | <b>DESIGN UNITS</b><br><b>METRIC</b> | <b>THIRD ANGLE PROJECTION</b> |
|--|---|--|---|-------------------------------------|----------------------------|---|---------------------------|---------|----------|--------|---------|----------|--------|---------|---------|-------|---------|--|----------------------------|--------------------------------------|-------------------------------|
|  |   |  |   | mm                                  | INCH                       |   |                           |         |          |        |         |          |        |         |         |       |         |  |                            |                                      |                               |
| 4 PLACES   | ± 0.15  | ± 0.006  |   |                                     |                            |   |                           |         |          |        |         |          |        |         |         |       |         |  |                            |                                      |                               |
| 3 PLACES   | ± 0.25  | ± 0.010  |   |                                     |                            |   |                           |         |          |        |         |          |        |         |         |       |         |  |                            |                                      |                               |
| 2 PLACES   | ± 0.25  | ± 0.010  |   |                                     |                            |   |                           |         |          |        |         |          |        |         |         |       |         |  |                            |                                      |                               |
| 1 PLACE  | ± 0.5   | ± 0.020  |   |                                     |                            |   |                           |         |          |        |         |          |        |         |         |       |         |  |                            |                                      |                               |
| <b>DESCRIPTION</b><br>GIGABIT MAGNETIC JACK 2X4 LED  | <b>DRAWN BY</b><br>MMANGARUDOV                              | <b>DATE</b><br>2010/05/07  | <b>TITLE</b><br>GIGABIT MAGNETIC JACK 2X4 LED | <b>CHECKED BY</b><br>JBADER         | <b>DATE</b><br>2010/05/10  | <b>APPROVED BY</b><br>SSTE INKE                                       | <b>DATE</b><br>2012/04/24 |         |          |        |         |          |        |         |         |       |         |  |                            |                                      |                               |
| <b>REV</b><br>B  | <b>DRAFT WHERE APPLICABLE MUST REMAIN WITHIN DIMENSIONS</b> | <b>SEE SHEET 3</b>   | <b>MATERIAL NO.</b><br>SD-85727-001           | <b>DOCUMENT NO.</b><br>SD-85727-001 | <b>SHEET NO.</b><br>4 OF 4 | <b>INCORPORATED AND SHOULD NOT BE USED WITHOUT WRITTEN PERMISSION</b> |                           |         |          |        |         |          |        |         |         |       |         |  |                            |                                      |                               |