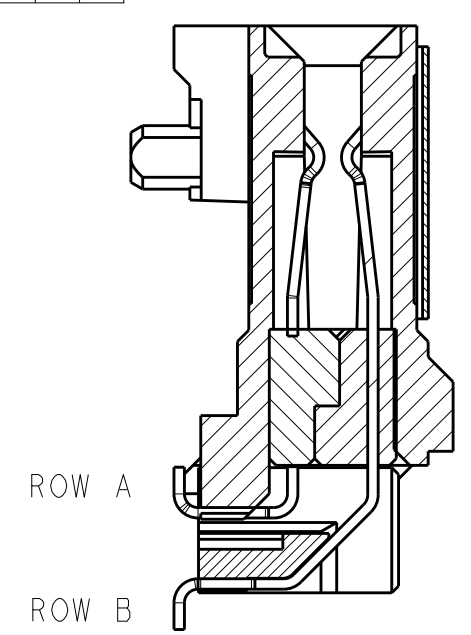
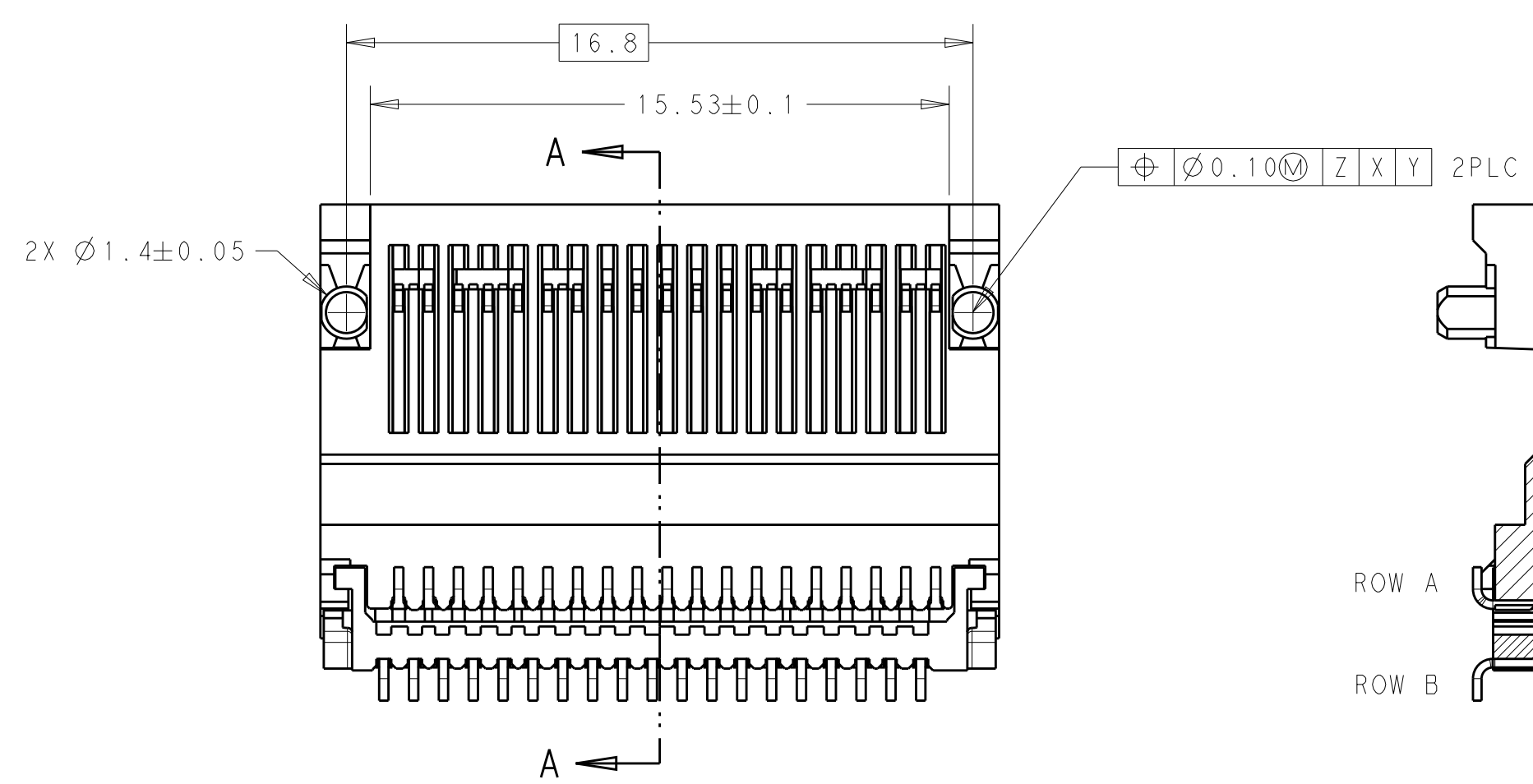
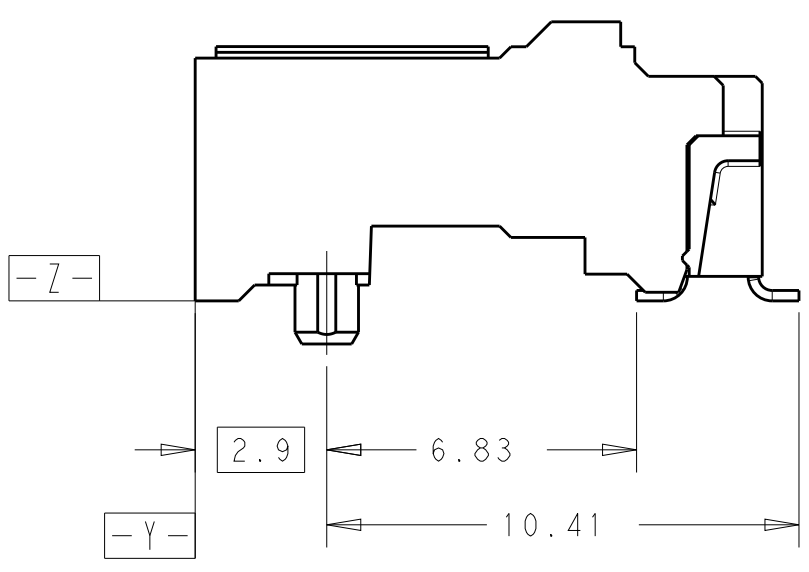
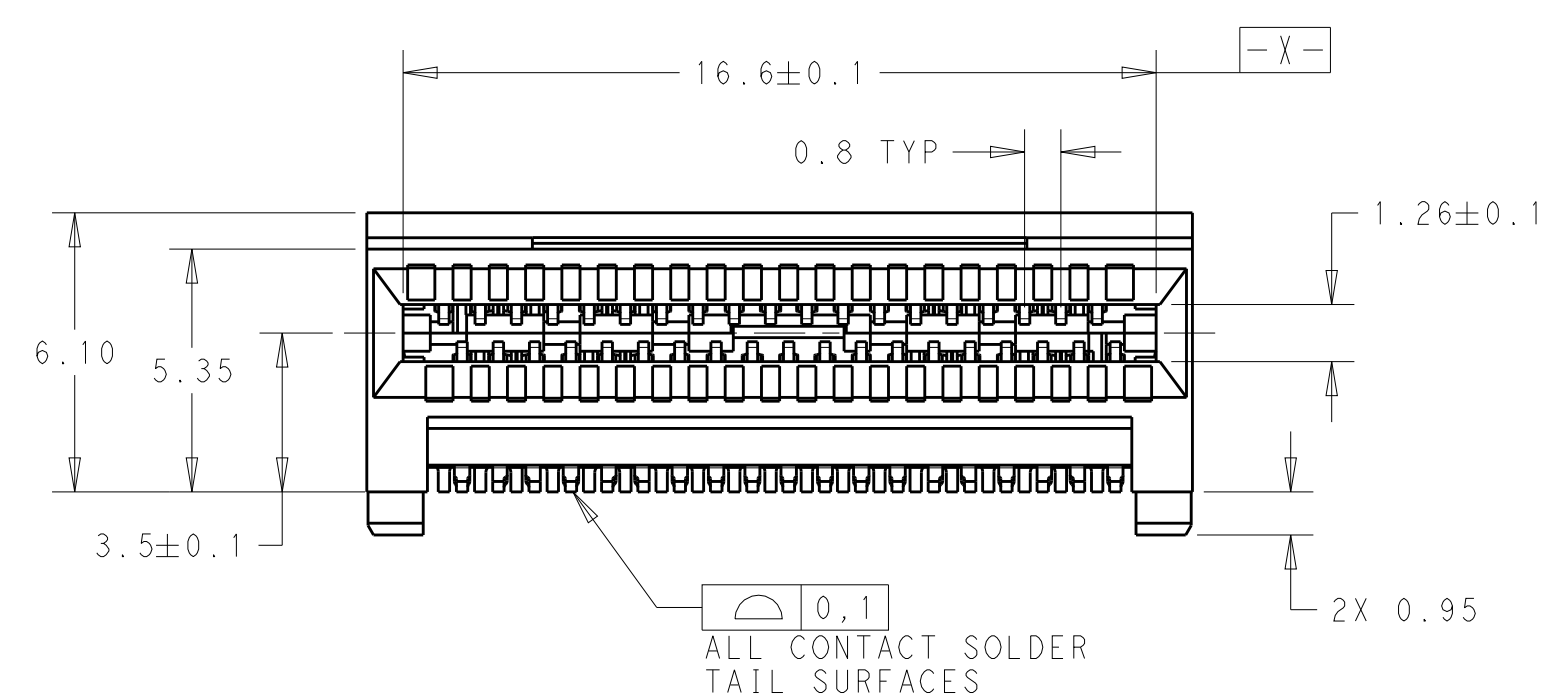
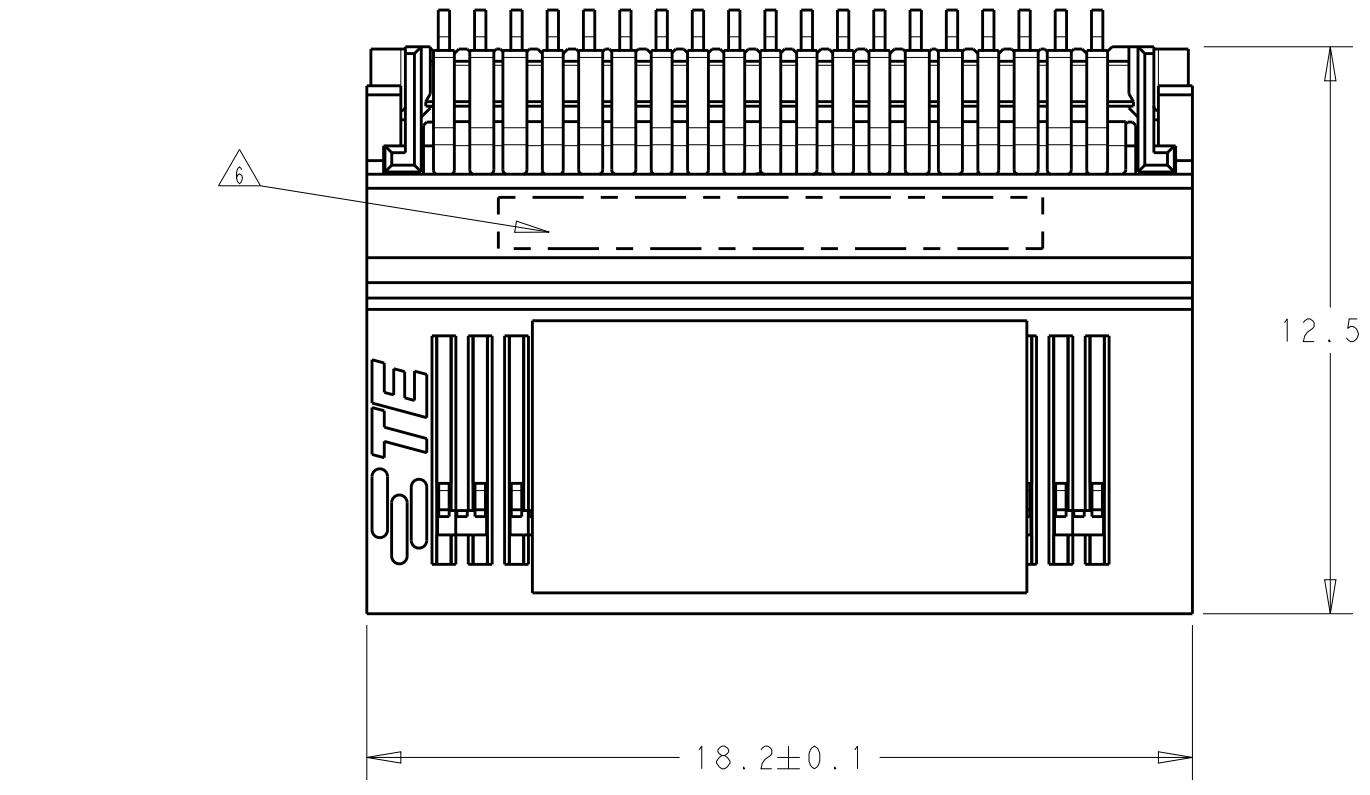


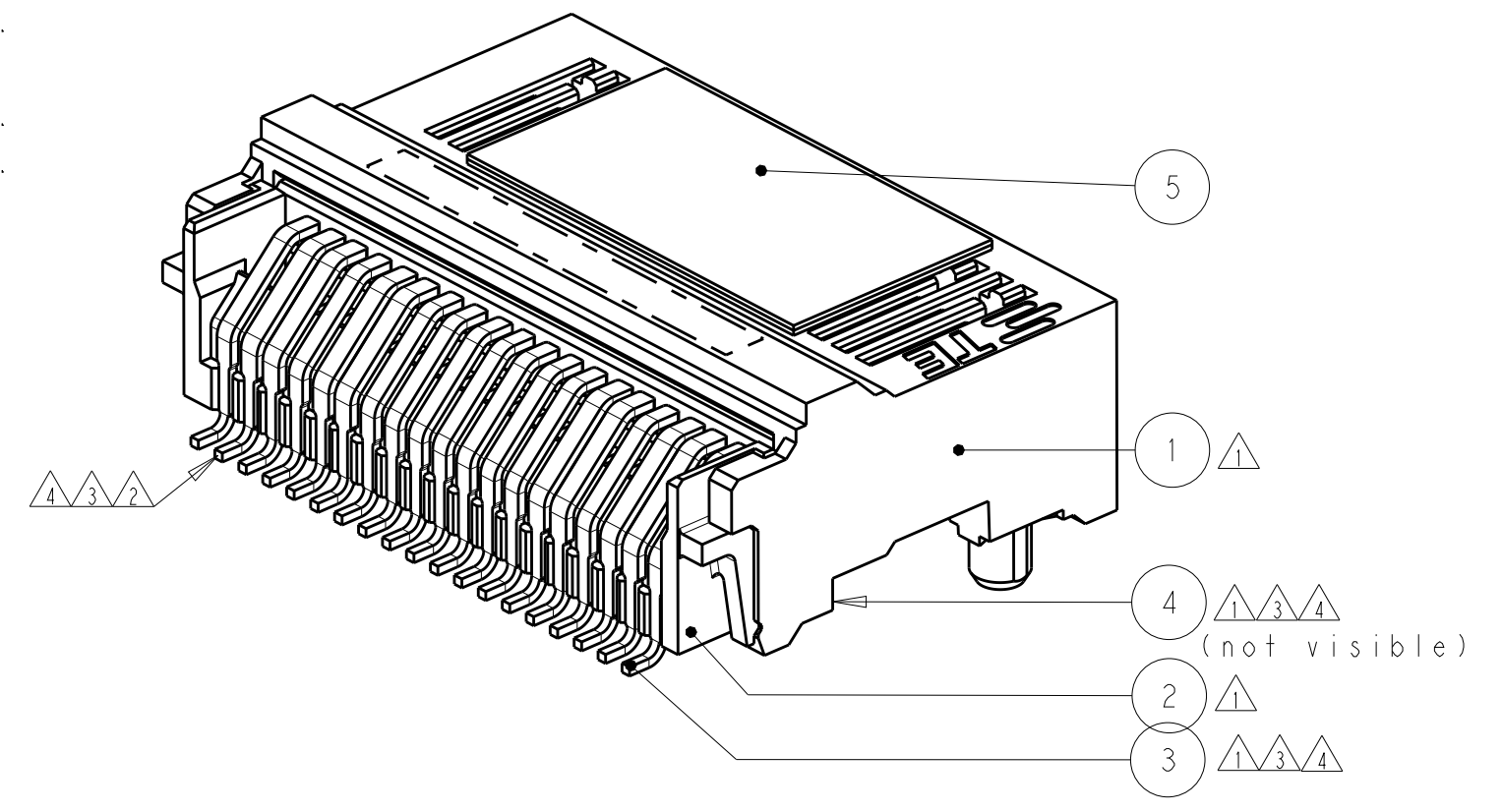
THIS DRAWING IS UNPUBLISHED. RELEASED FOR PUBLICATION
 © COPYRIGHT - BY - ALL RIGHTS RESERVED.

REVISIONS				
P	LTR	DESCRIPTION	DATE	APVD
E		REVISED PER ECO-13-017098	12MAR2014	AP EB
F		REVISED ECO-14-002998	10APR2014	LAW EB
G		REVISED PER ECO-14-017736	25NOV2014	JY MC
H		REVISED PER ECO-15-000971	21JAN2015	JY MC

- △ MATERIAL: GLASS FILLED LCP (BLACK) FOR HOUSING, ORGANISER AND CONTACT-OVERMOLDS.
- △ MATERIAL: COPPER ALLOY FOR CONTACTS.
- △ FINISH: 0,38µm MIN. GOLD, APPLIES TO INTERFACE AREA AND 3,0 µm MIN. MATTE TIN ON SOLDER TAILS, BOTH OVER 1,27 µm MIN. NICKEL ALL OVER. LUBRICANT ON GOLD PLATE CONTACT AREAS.
- △ FINISH: 0,76µm MIN. GOLD, APPLIES TO INTERFACE AREA AND 3,0 µm MIN. MATTE TIN ON SOLDER TAILS, BOTH OVER 1,27 µm MIN. NICKEL ALL OVER. LUBRICANT ON GOLD PLATE CONTACT AREAS.
- △ DATUM AND BASIC DIMENSION ESTABLISHED BY CUSTOMER.
- △ CONNECTOR MARKED WITH PARTNUMBER AND DATE CODE.
- △ PACKAGE SPEC (TAPE/REEL): WIDTH 32mm X PITCH 20mm.
- △ PACKAGE SPEC (TAPE/REEL): WIDTH 44mm X PITCH 24mm.



SECTION A-A



ITEM NO.	DESCRIPTION	QTY	PARTNUMBER AND QUANTITY
5	PICK AND PLACE PLATE	1	1551920-1
4	OVERMOLDED CONTACTS BOTTOM (19 CONTACTS)	1	1551920-2
3	OVERMOLDED CONTACTS TOP (19 CONTACTS)	1	1551920-3
2	ORGANISER	1	
1	HOUSING	1	

THIS DRAWING IS A CONTROLLED DOCUMENT.

DWN	E. ZIJLSTRA	17FEB2011
CHK	B. MOOIJ	17FEB2011
APVD	T. d. BOER	

PRODUCT SPEC: 108-19428
 APPLICATION SPEC: 114-127003

Customer Drawing

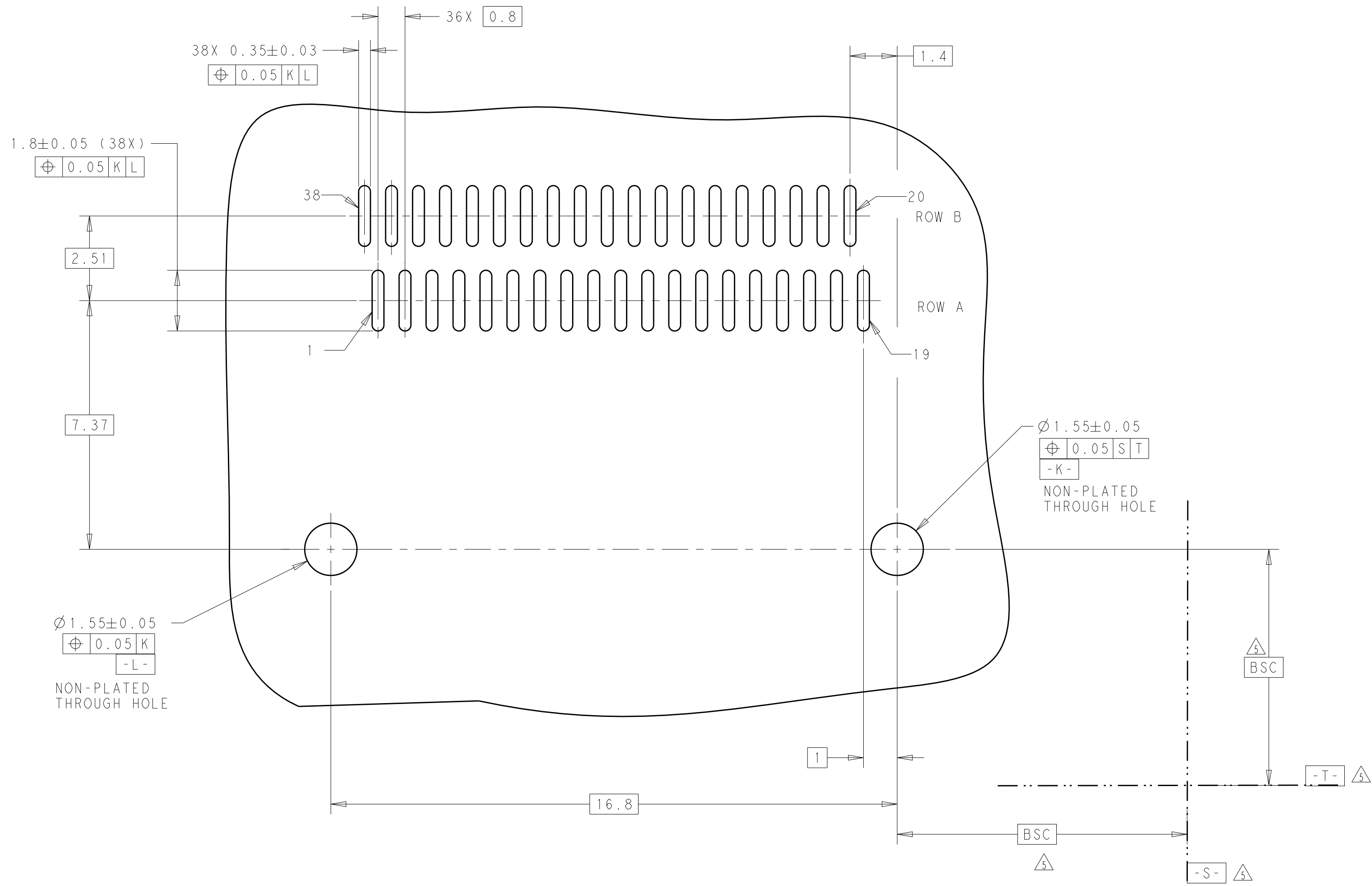
SCALE: - SHEET 1 OF 2 REV H

TE Connectivity
 zOSFP+ CONNECTOR
 38 POSITIONS

SIZE: A2 CAGE CODE: 00779 DRAWING NO: C-1551920

THIS DRAWING IS UNPUBLISHED. RELEASED FOR PUBLICATION
 © COPYRIGHT - BY - ALL RIGHTS RESERVED.

REVISIONS				
P	LTR	DESCRIPTION	DATE	APVD
-	-	SEE SHEET 1	-	-



RECOMMENDED PCB-BOARD LAYOUT

THIS DRAWING IS A CONTROLLED DOCUMENT.		DWN E. ZIJLSTRA 17FEB2011	TE Connectivity	
DIMENSIONS: mm		CHK B. MOOIJ 17FEB2011		
TOLERANCES UNLESS OTHERWISE SPECIFIED:		APVD I. d. BOER	NAME zOSFP+ CONNECTOR 38 POSITIONS	
0 PLC ±0.13		PRODUCT SPEC 108-19428	SIZE A200779	
1 PLC ±0.13		APPLICATION SPEC 114-127003	CAGE CODE C-1551920	
2 PLC ±0.13		WEIGHT -	DRAWING NO -	
3 PLC ±		Customer Drawing	RESTRICTED TO -	
4 PLC ±		SCALE -	SHEET 2 OF 2	
ANGLES ±			REV H	
FINISH -				