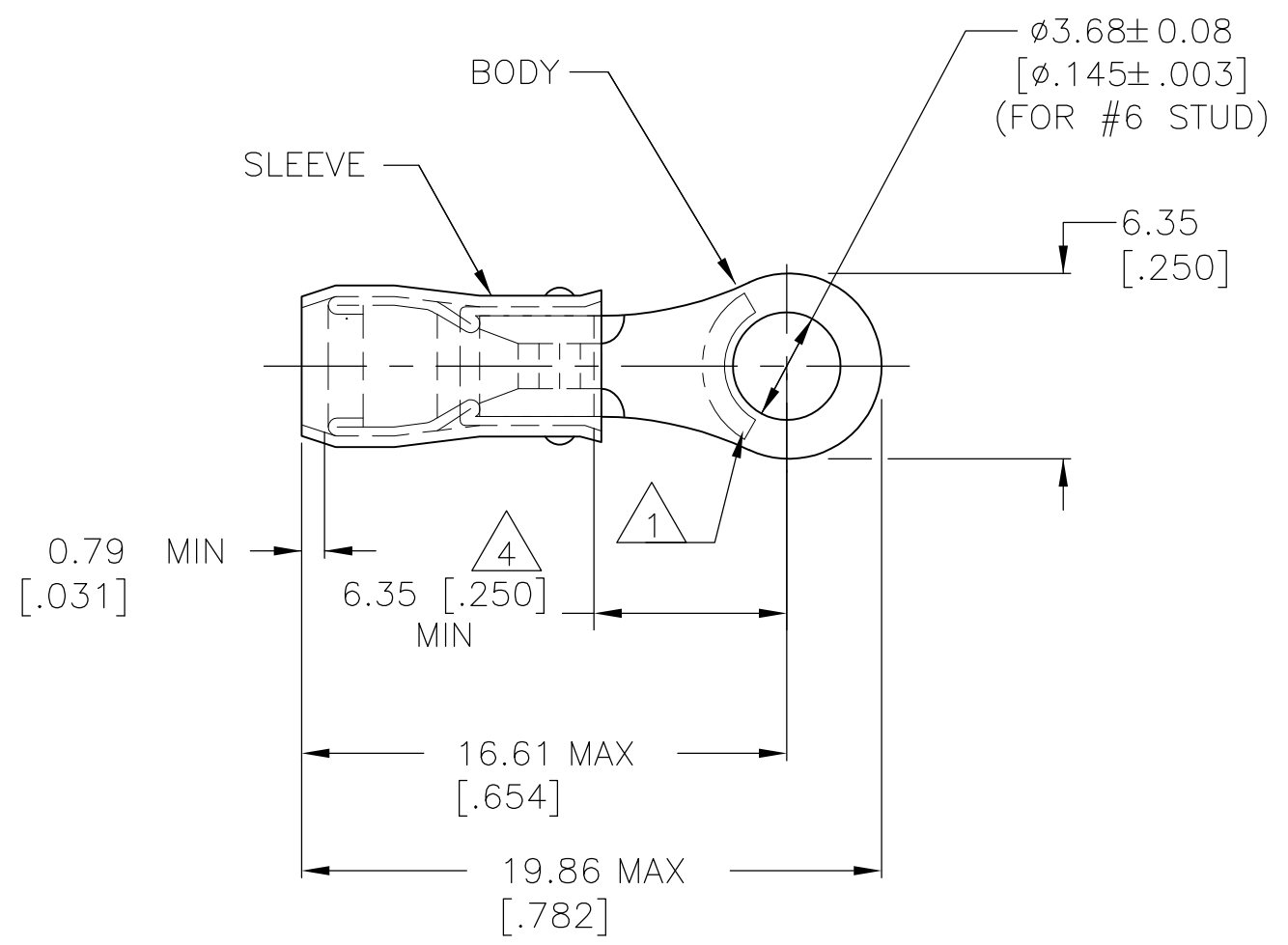


THIS DRAWING IS UNPUBLISHED. RELEASED FOR PUBLICATION  
 © COPYRIGHT - By - ALL RIGHTS RESERVED.

LOC	DIST	REVISIONS					
		P	LTR	DESCRIPTION	DATE	DWN	APVD
G	14		AA	REVISED PER ECO-14-015277	13FEB2015	NK	DR

<b>AMP</b> WIRE RANGE	Listed FILE E13288	LR7189 Certified
22-16 AWG SOLID OR STRANDED	22-16 AWG SOLID OR STRANDED	22-16 AWG SOLID OR STRANDED



- 1 STAMP AMP 22-18\* APPROX AS SHOWN  
22-16 TERMINALS ARE STAMPED 22-18 IN  
ACCORDANCE WITH MILITARY SPEC MIL-T-7928  
COMMERCIAL WIRE RANGE IS 22-16.
- 2 WIRE INSULATION DIA: 2.03-3.18 [.080-.125].
- 3 TONGUE MATERIAL THK: 0.79±0.05 [.031±.002].
- 4 DIMENSION APPLIES FROM EDGE OF METAL  
WIRE BARREL TO CENTER OF STUD HOLE.
- 5 BODY - COPPER PER ASTM B-152  
SLEEVE - NYLON.
- 6 BODY - TIN PLATE PER ASTM B545,  
.000100 MIN EXT THK  
SLEEVE- COLOR, RED.

MILITARY P/N AND CLASS	QTY	PACKAGE TYPE	PART NUMBER
--	100	LOOSE PIECE, BOX	7-51863-1
MS25036-102 CLASS 2	5000	ON TAPE, REEL	51863-1
MS25036-102 CLASS 1 & 2	1000	LOOSE PIECE	51863

<b>AMP INCORPORATED CUSTOMER SERVICE SYSTEMS</b>		MAX RECOMMENDED OPERATING TEMPERATURE: 105°C [221°F] MAX
FOR ADDITIONAL PRODUCT INFORMATION OR COPIES OF DRAWINGS AND TECHNICAL DOCUMENTS	PRODUCT INFORMATION CENTER 1-800-522-6752	VOLTAGE RATING: 300V MAX
FOR APPLICATION TOOLING INFORMATION	TOOLING ASSISTANCE CENTER 1-800-722-1111	CIRCULAR MIL AREA: 0.26-1.65mm² [509-3260] CIR MILS SOLID OR STRANDED
FOR ORDER ENTRY	1-800-526-5142	THIS DRAWING IS A CONTROLLED DOCUMENT FOR AMP INCORPORATED. IT IS SUBJECT TO CHANGE AND THE CONTROLLING ENGINEERING ORGANIZATION SHOULD BE CONTACTED FOR THE LATEST REVISION.

THIS DRAWING IS A CONTROLLED DOCUMENT.	
DIMENSIONS: mm [INCHES]	TOLERANCES UNLESS OTHERWISE SPECIFIED:
	0 PLC ± - 1 PLC ± - 2 PLC ± 0.20 [.008] 3 PLC ± - 4 PLC ± - ANGLES ± -
MATERIAL	FINISH

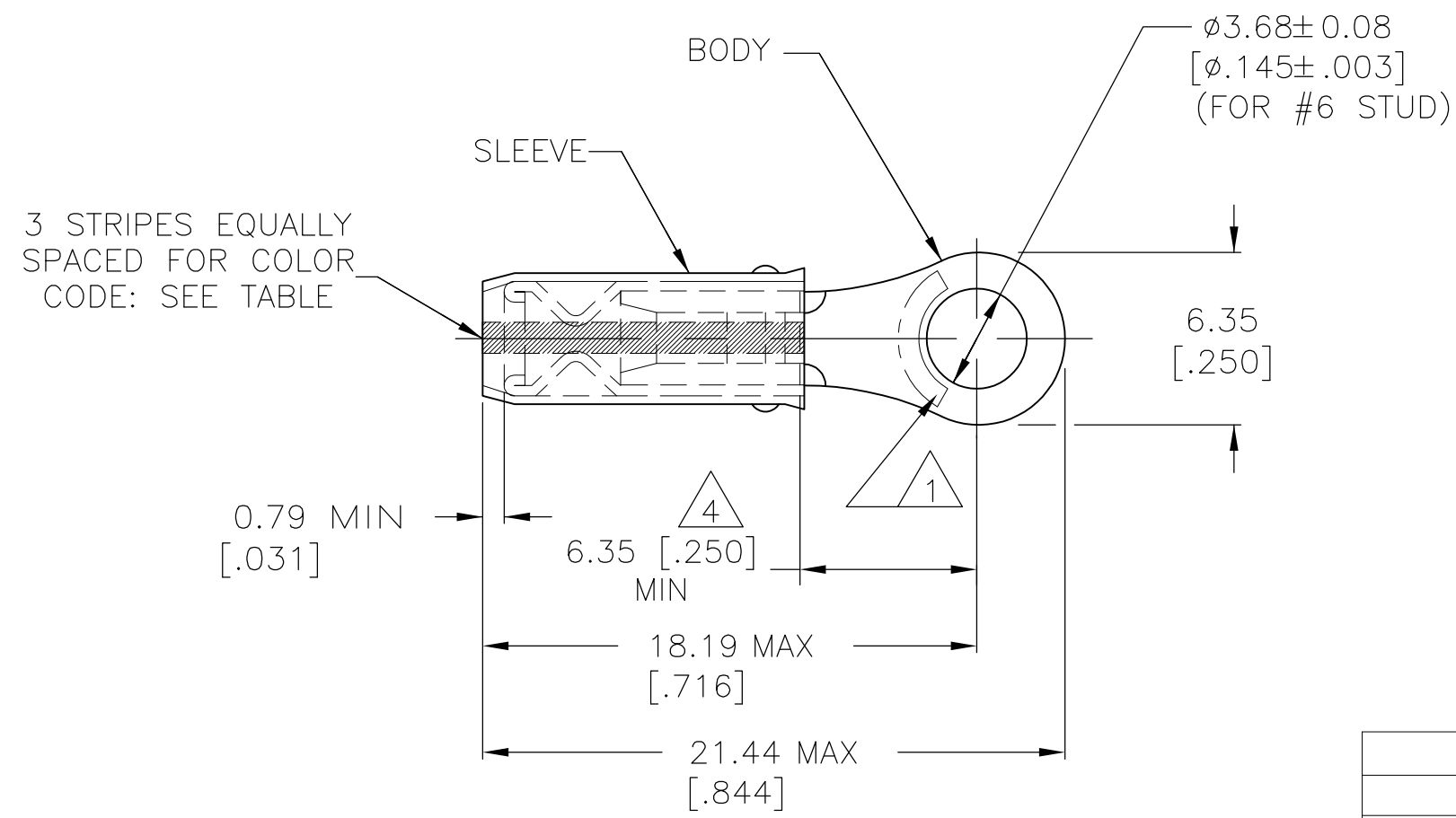
DWN DK SCHRUM 9/8/93	TE Connectivity			
CHK RE HERSEY 9/8/93				
APVD M BARNABA 9/8/93	NAME TERMINAL, RING TONGUE, PIDG WIRE SIZE: 22-16 AWG			
PRODUCT SPEC UL 486A	SIZE	CAGE CODE	DRAWING NO	RESTRICTED TO
APPLICATION SPEC NOT AVAILABLE	A3	00779	C-51863	-
WEIGHT -	CUSTOMER DRAWING			SCALE NTS
			SHEET 1 OF 2	REV AA

THIS DRAWING IS UNPUBLISHED. RELEASED FOR PUBLICATION  
 © COPYRIGHT - By - ALL RIGHTS RESERVED.

LOC	DIST	REVISIONS					
		P	LTR	DESCRIPTION	DATE	DWN	APVD
G	14	-	-	SEE SHEET 1	-	-	-

**AMP**  
WIRE RANGE

SEE TABLE  
STRANDED



- △1 STAMP AMP [ ] APPROX AS SHOWN SEE TABLE BELOW.
- 2 WIRE INSULATION DIA: 0.97-2.79 [.038-.110] FOR 22 AWG  
1.17-2.79 [.046-.110] FOR 20 AWG  
1.42-2.79 [.056-.110] FOR 18 AWG.
- 3 TONGUE MATERIAL THK: 0.79±0.05 [.031±.002].
- △4 DIMENSION APPLIES FROM EDGE OF METAL WIRE BARREL TO CENTER OF STUD HOLE.
- △5 BODY - COPPER PER ASTM B-152  
SLEEVE - NYLON.
- △6 BODY - TIN PLATE PER ASTM B545,  
.000100 MIN EXT. THK SLEEVE - COLOR - RED.
- △7 OBSOLETE.

-	WHITE	18*	18	100	LOOSE PIECE, BOX	9-51863-1
-	GREEN	22*	22	100	LOOSE PIECE, BOX	8-51863-1
M7928/1-31 CLASS 2	WHITE	18*	18	5000	ON TAPE, REEL	51863-7
M7928/1-22 CLASS 2	RED	20*	20	5000	ON TAPE, REEL	51863-6
M7928/1-13 CLASS 2	GREEN	22*	22	5000	ON TAPE, REEL	51863-5
M7928/1-31 CLASS 1 & 2	WHITE	18*	18	1000	LOOSE PIECE	51863-4
M7928/1-22 CLASS 1 & 2	RED	20*	20	1000	LOOSE PIECE	51863-3
M7928/1-13 CLASS 1 & 2	GREEN	22*	22	1000	LOOSE PIECE	51863-2
MILITARY P/N AND CLASS	STRIPE COLOR	△1 STAMPING	WIRE SIZE	QTY	PACKAGE TYPE	PART NO.

<b>AMP INCORPORATED CUSTOMER SERVICE SYSTEMS</b>		MAX RECOMMENDED OPERATING TEMPERATURE: 105°C [221°F] MAX	THIS DRAWING IS A CONTROLLED DOCUMENT.		DWN DK SCHRUM 9/8/93	<b>STE</b> TE Connectivity				
FOR ADDITIONAL PRODUCT INFORMATION OR COPIES OF DRAWINGS AND TECHNICAL DOCUMENTS	PRODUCT INFORMATION CENTER 1-800-522-6752	VOLTAGE RATING: 300V MAX	DIMENSIONS: mm [INCHES]	TOLERANCES UNLESS OTHERWISE SPECIFIED:	CHK RE HERSEY 9/8/93			NAME TERMINAL, RING TONGUE, PIDG WIRE SIZE: 22-16 AWG		
FOR APPLICATION TOOLING INFORMATION	TOOLING ASSISTANCE CENTER 1-800-722-1111	CIRCULAR MIL AREA: 0.26-1.65mm² [509-3260] CIR MILS SOLID OR STRANDED	0 PLC ± - 1 PLC ± - 2 PLC ± 0.20 [.008] 3 PLC ± - 4 PLC ± - ANGLES ± -	FINISH	APVD M BARNABA 9/8/93	PRODUCT SPEC	SIZE	CAGE CODE	DRAWING NO	RESTRICTED TO
FOR ORDER ENTRY	1-800-526-5142	THIS DRAWING IS A CONTROLLED DOCUMENT FOR AMP INCORPORATED. IT IS SUBJECT TO CHANGE AND THE CONTROLLING ENGINEERING ORGANIZATION SHOULD BE CONTACTED FOR THE LATEST REVISION.	MATERIAL	△5	NOT AVAILABLE	APPLICATION SPEC	A3	00779	G-51863	-
					CUSTOMER DRAWING	WEIGHT	SCALE		SHEET	REV
						-	NTS		2 OF 2	AA