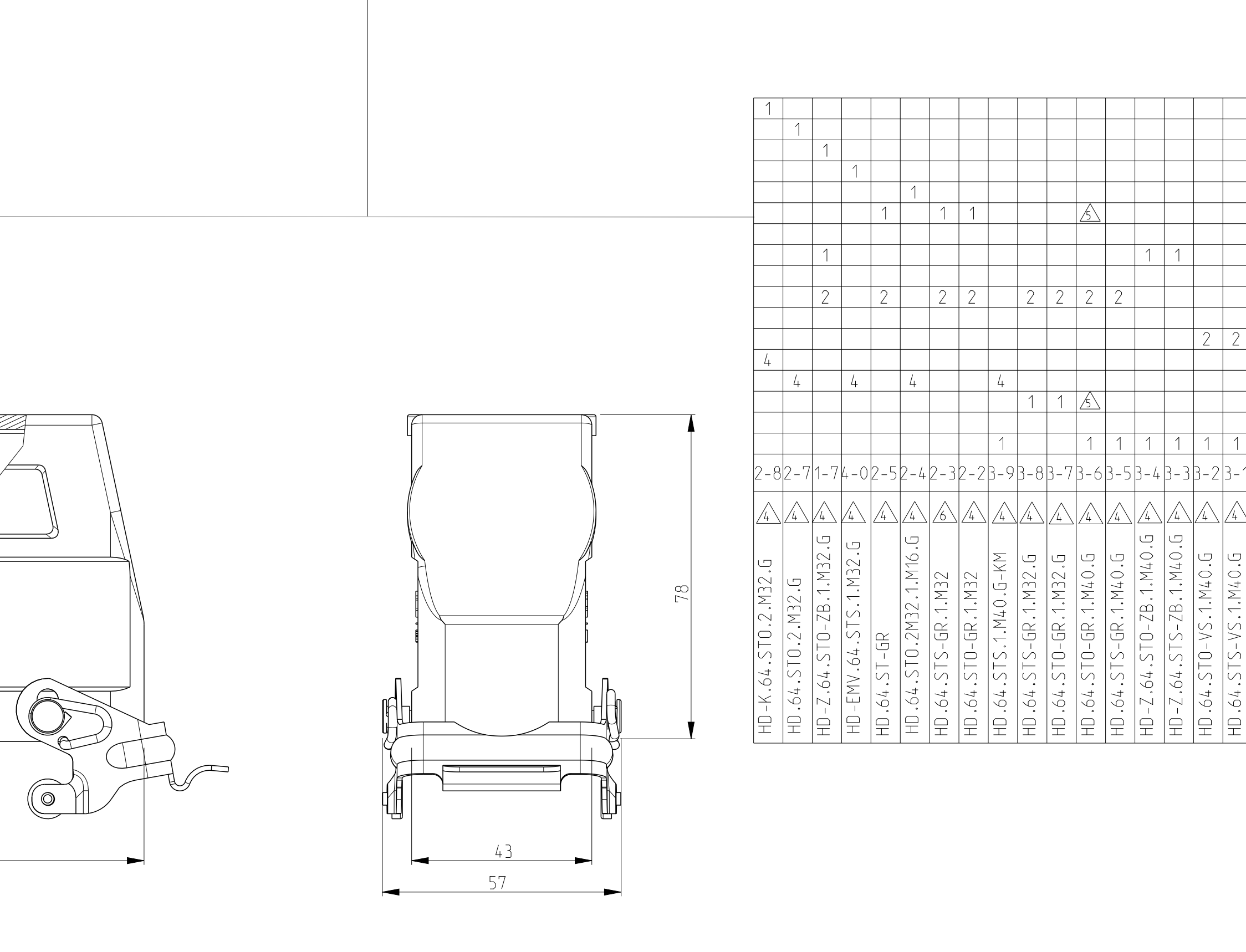
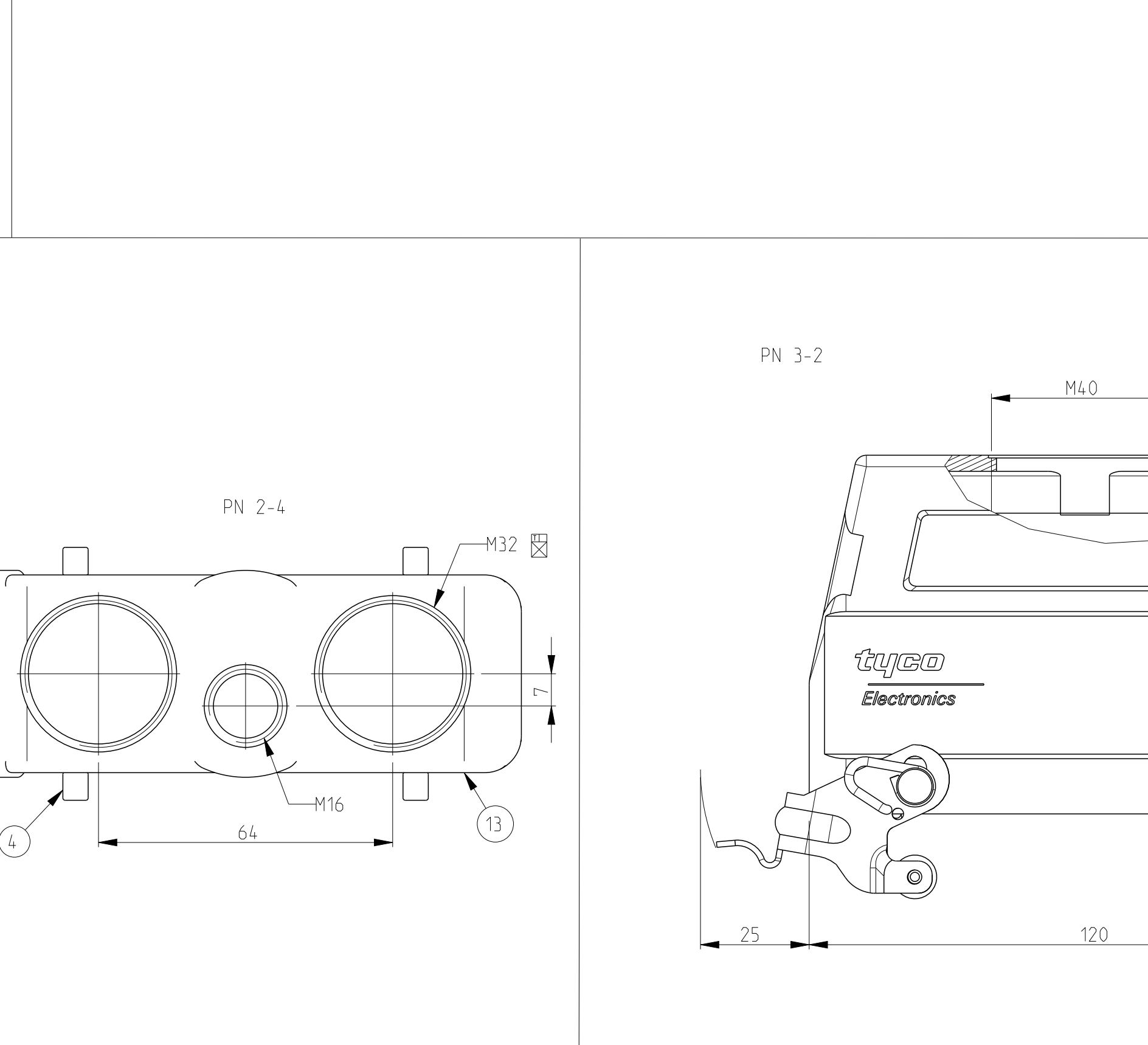
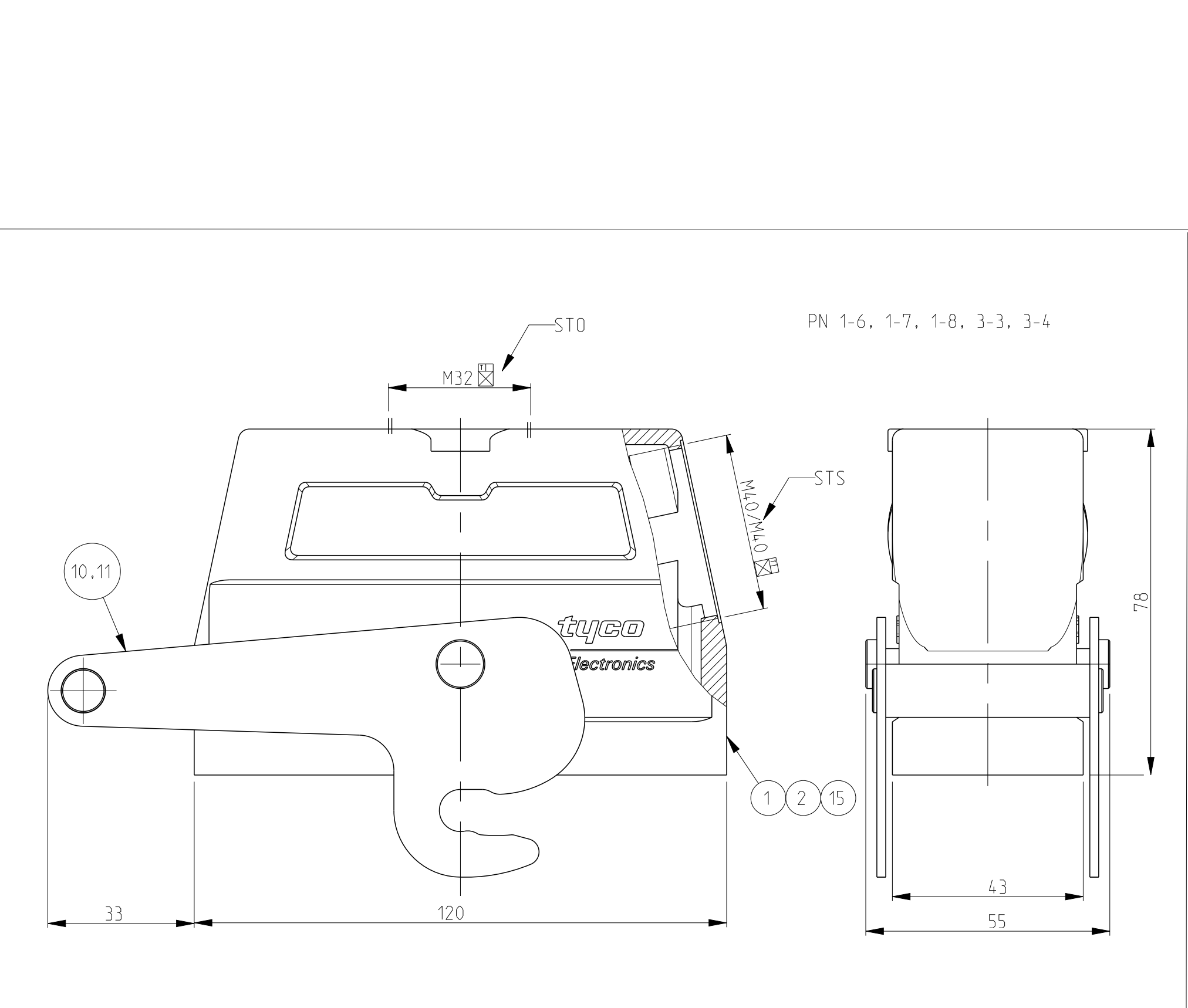
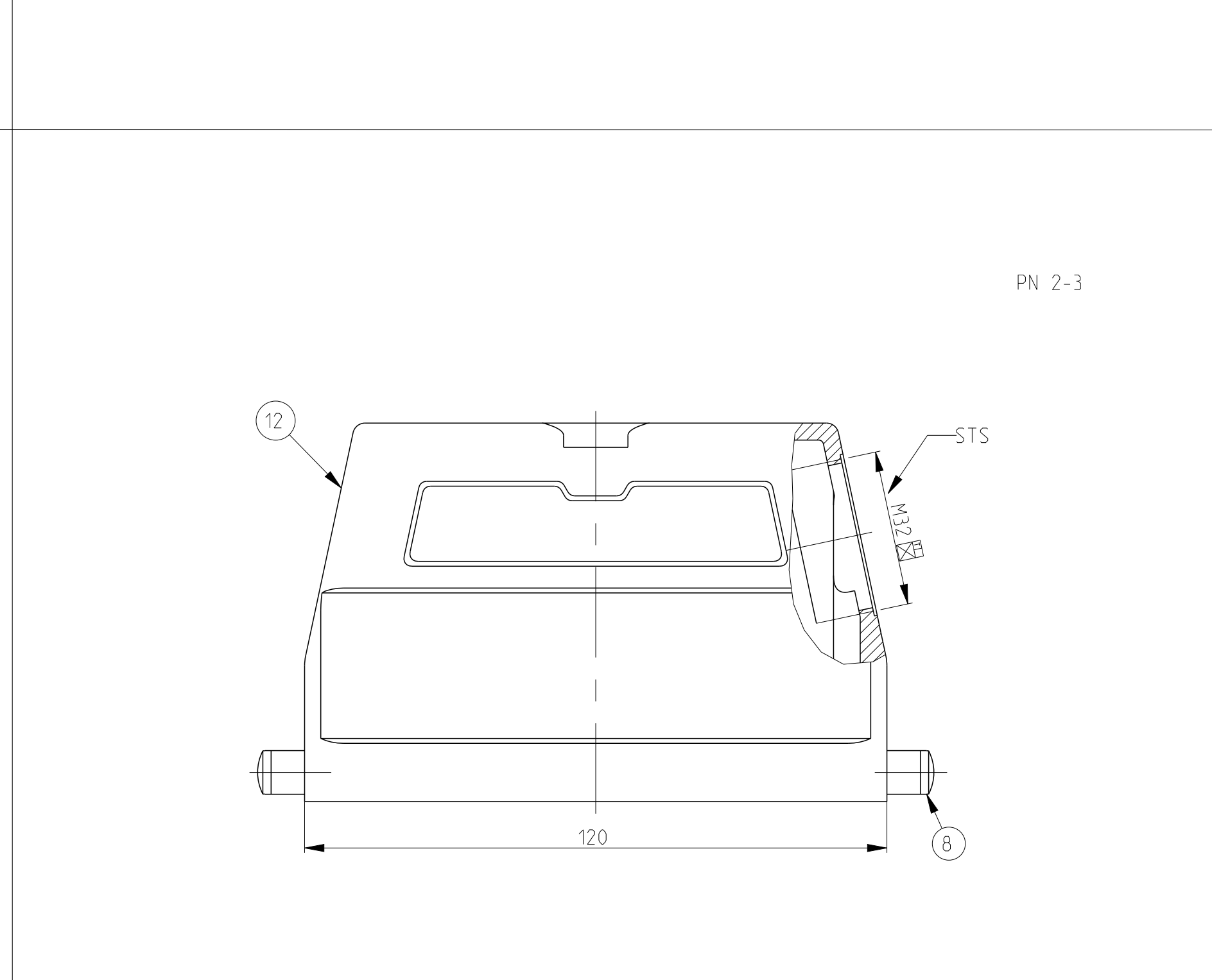
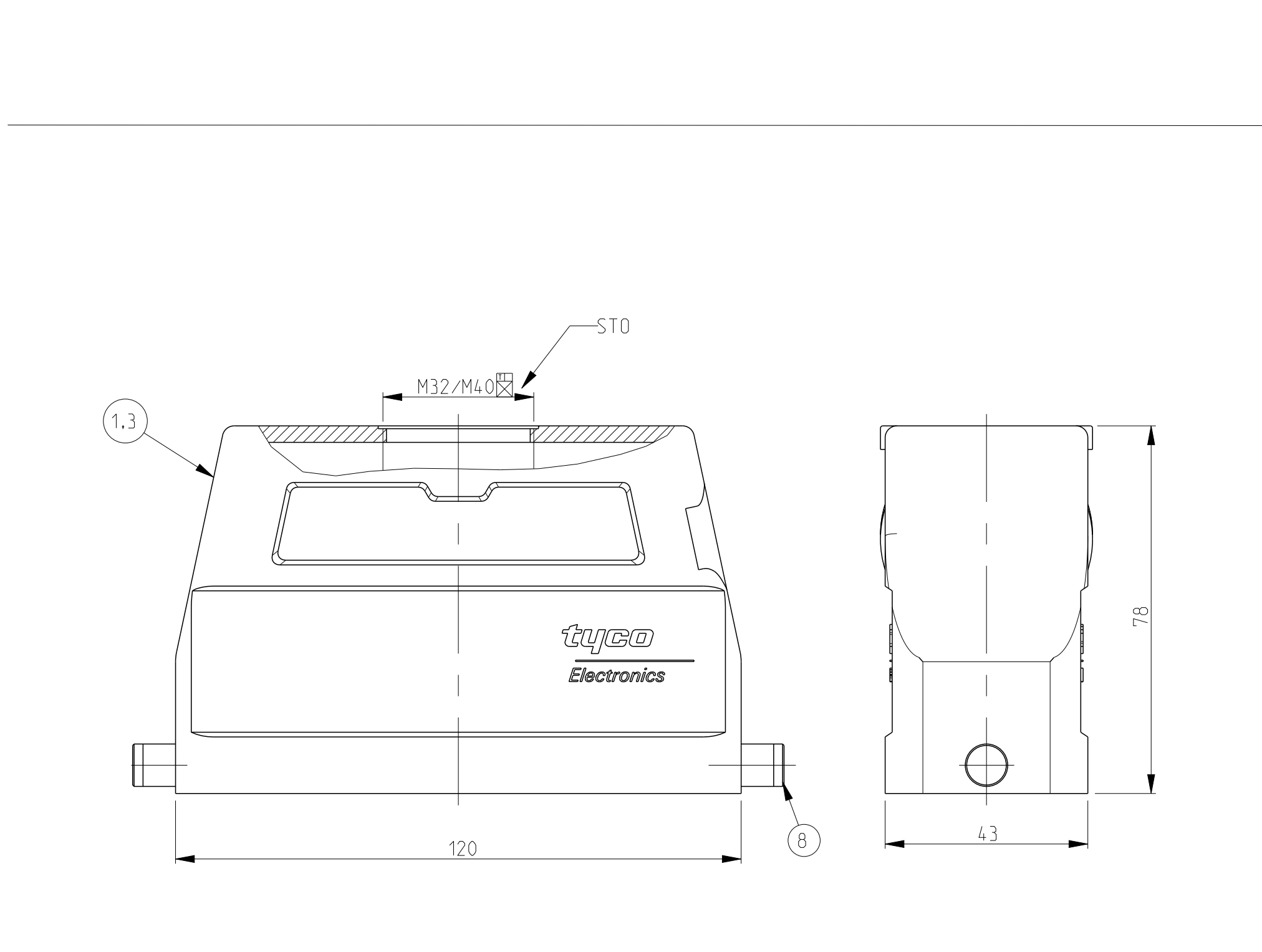
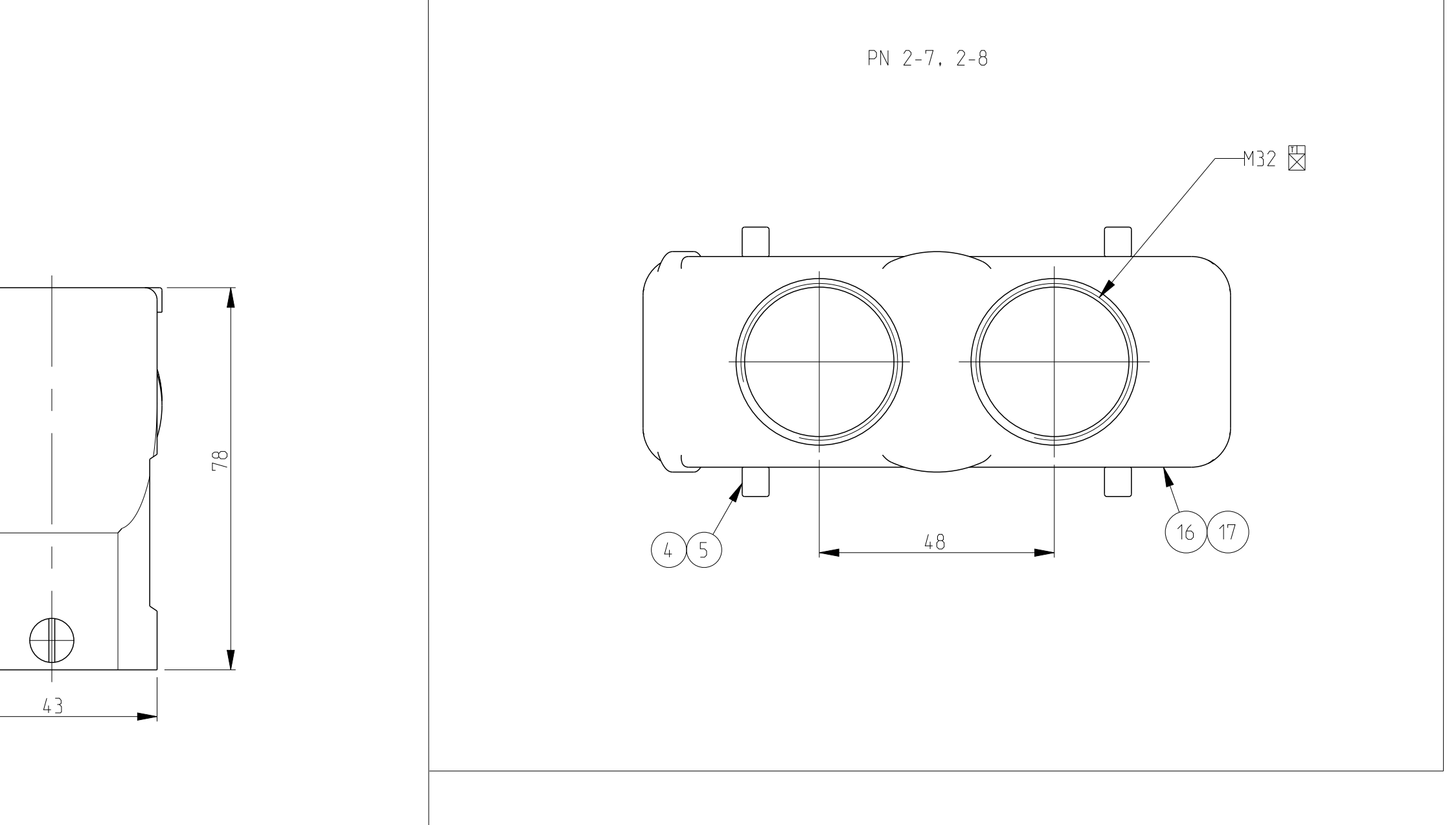
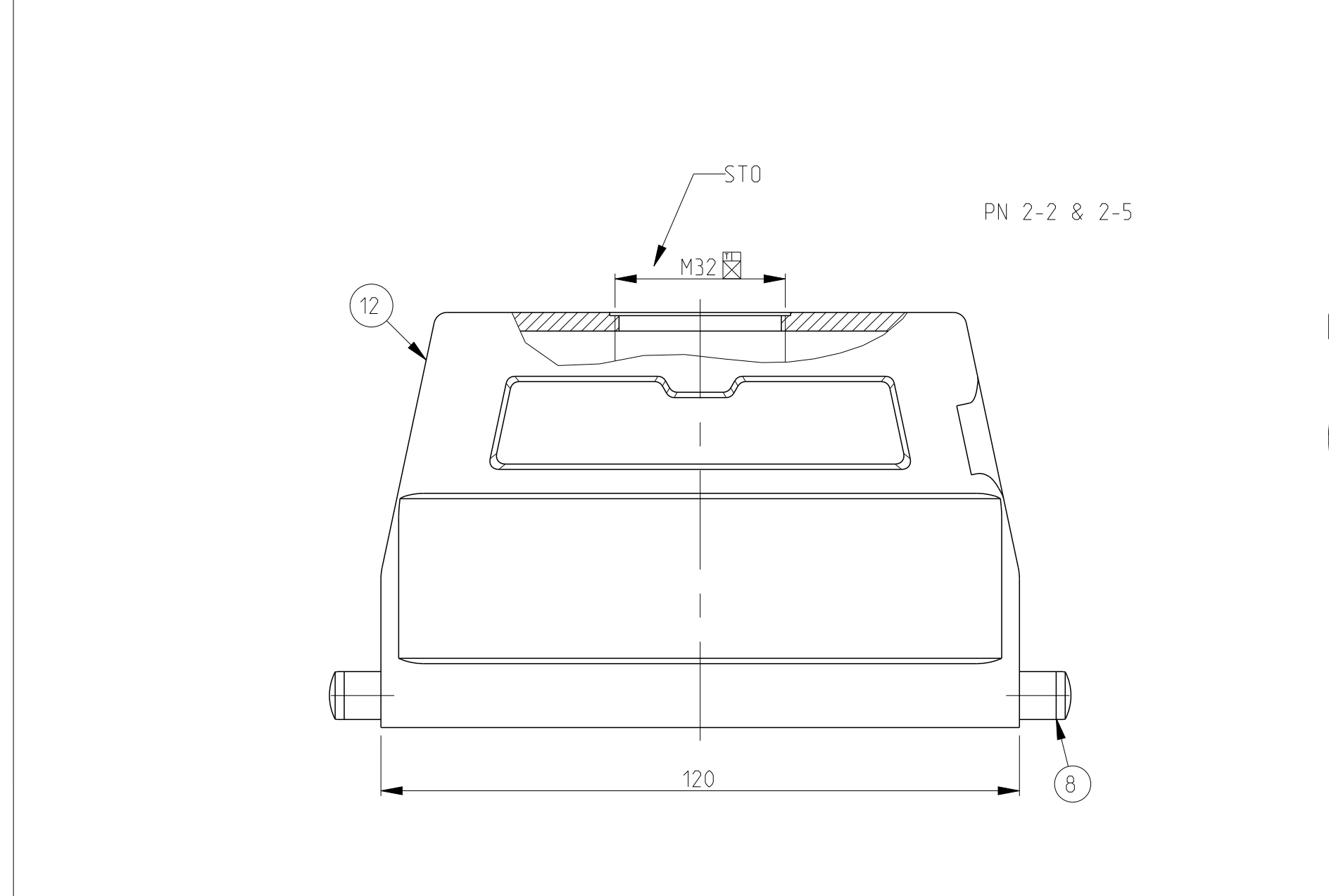
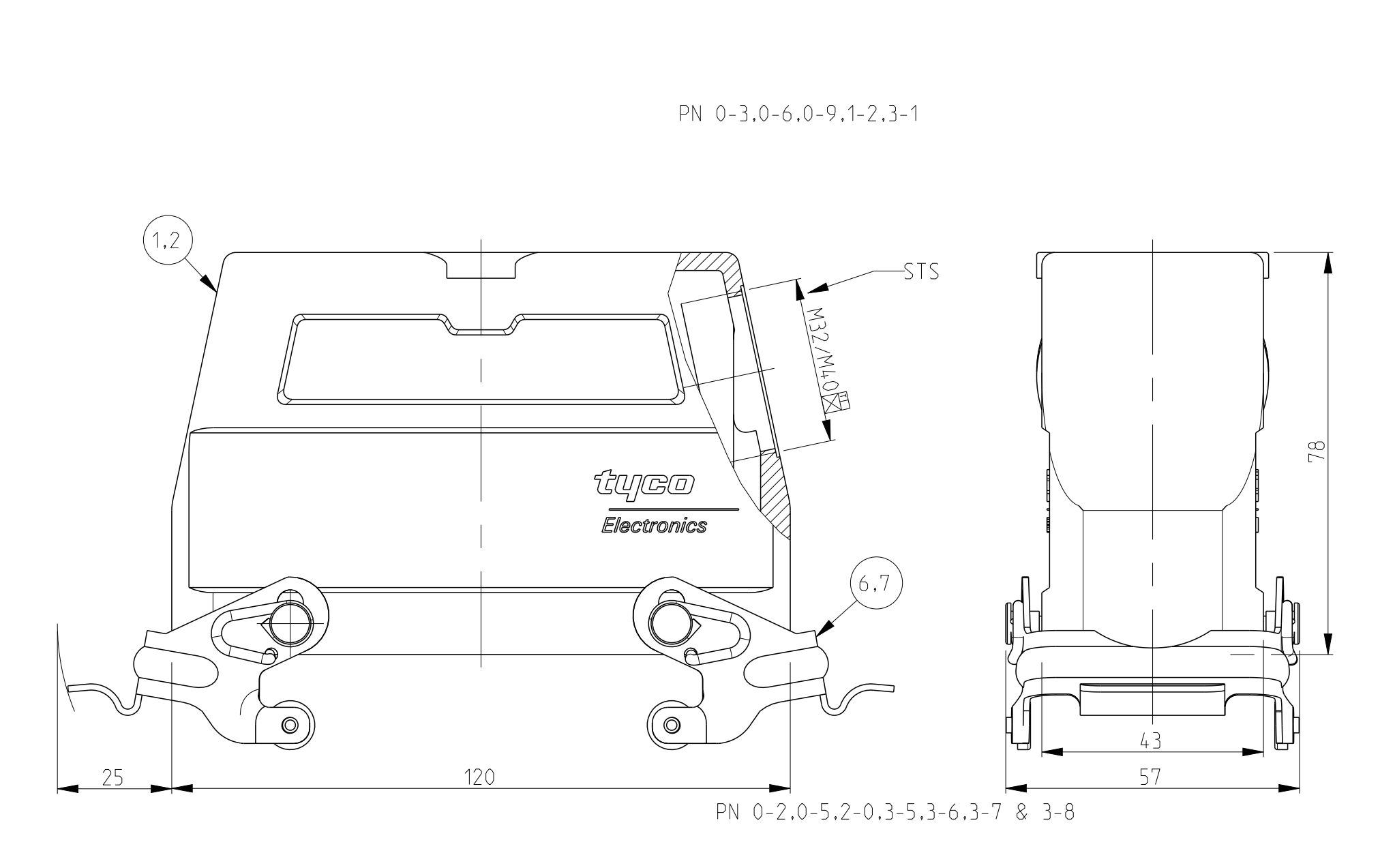
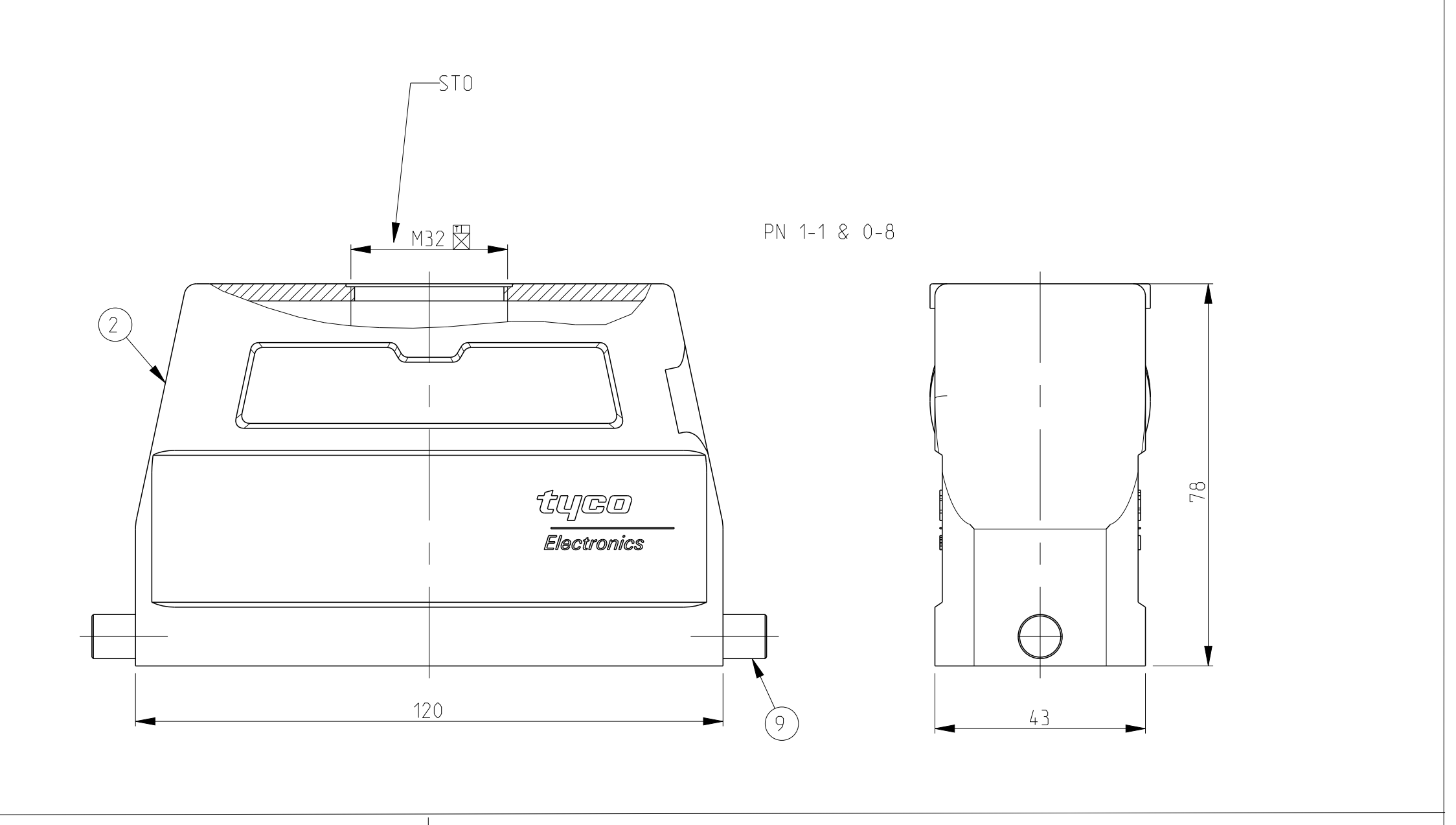
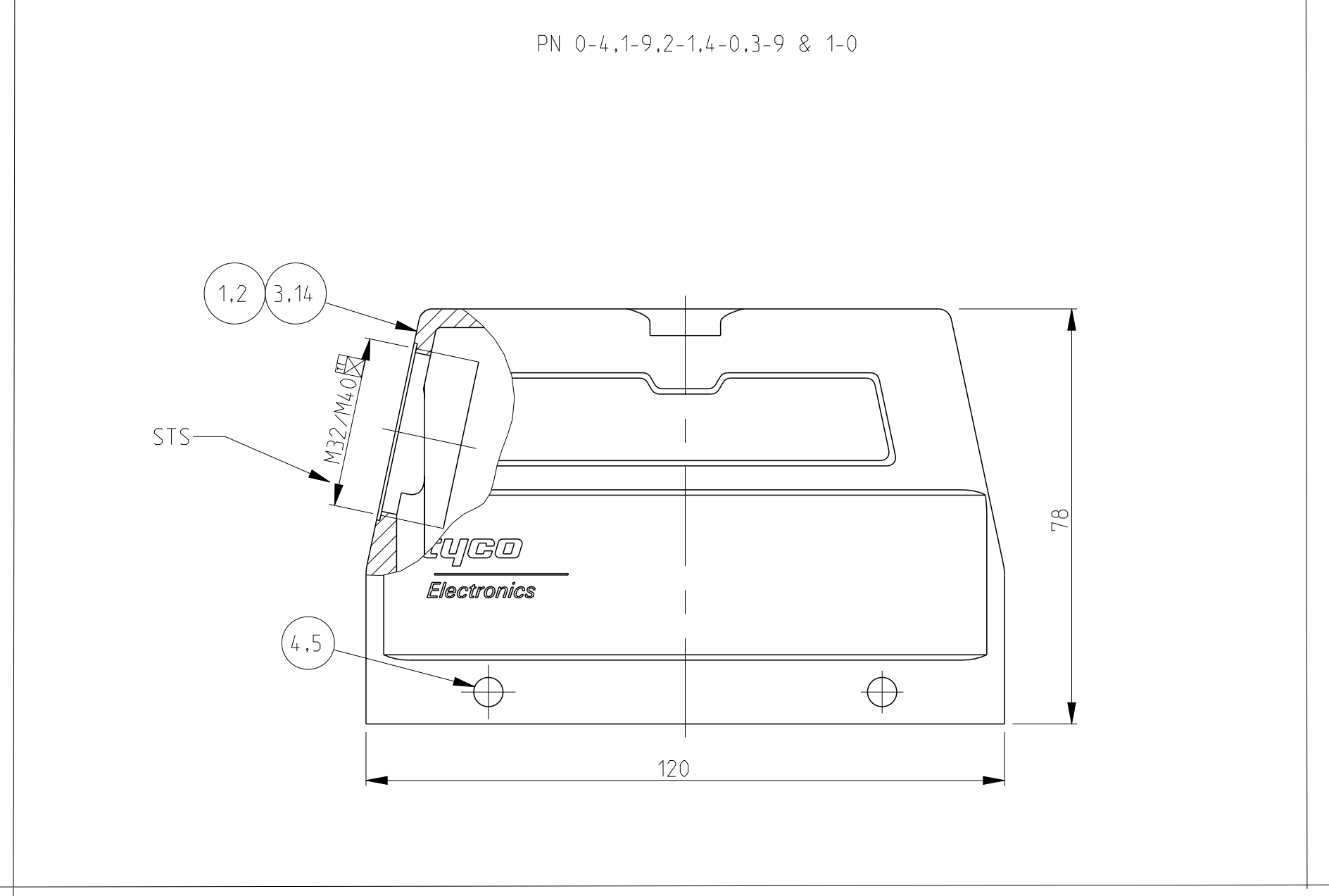
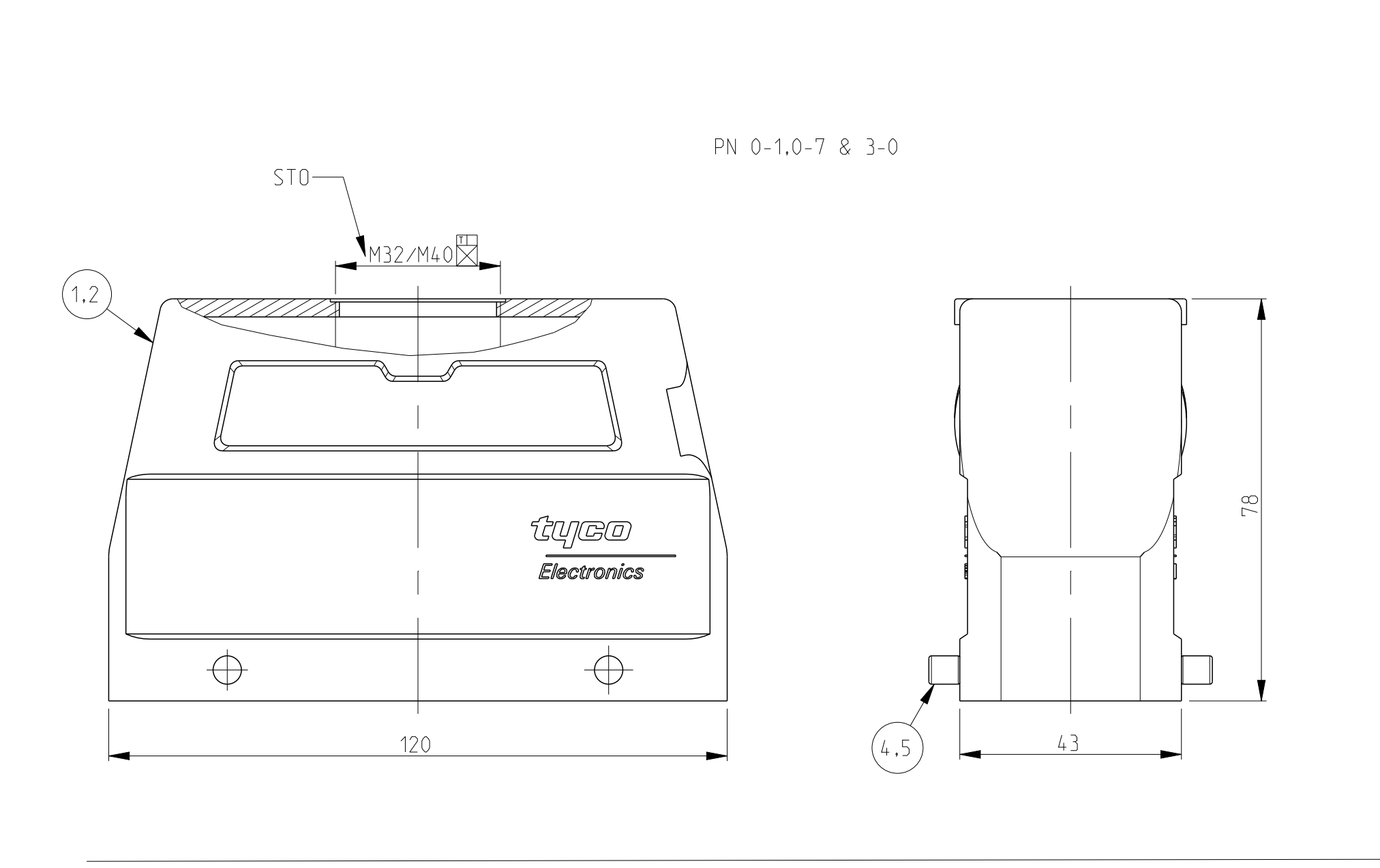


REV	DATE	DESCRIPTION	BY	CHK	APPD
A14	30-MAR-2011	REVISED PER ECO-11-005150	RK	HRM	
A15	27-FEB-2014	ECO-14-007563	RK	MKO	
A16	23-SEP-2014	ECO-14-013782	RK	MKO	



- NOTES:
- Material:Housing:Aluminium Diecasting Alloy
 - Surface:Varnish grey
 - Varnish on the inside not necessary
 - Packaging Quantity 5 Pieces in a box
 - Without TE-Product sign
 - Special Packaging Quantity 50 Pieces in a Kanban box

QTY	DESCRIPTION	MATERIAL	SURFACE	COLOR	ITEM NO	NOTES
1	HD-K HOOD	Aluminium	Aluminium oxide	Black	17	
1	HD HOOD	Aluminium		GREY	16	
1	HD HOOD	Aluminium		GREY	15	
1	HD-EMV Hood	Aluminium	chromit Al passivation	Black	14	
1	HD Hood	Aluminium		Grey	13	
1	HD Hood	Aluminium	Neutral	Grey	12	Without TE-Logo
1	ZB-Central clip	Stainless steel	Blank		11	
1	ZB-Central clip	Steel	Zinc plated	Blue	10	
2	LB-Clip bolt	Stainless steel	Blank		9	
2	LB-Clip bolt	Steel	Zinc plated	Blue	8	
2	VS-Side clip	Stainless steel	Blank		7	
2	VS-Side clip	Steel	Zinc plated	Blue	6	
4	VS-Clip bolt	Stainless steel	Blank		5	
4	VS-Clip bolt	Steel	Zinc plated	Blue	4	
4	HD Hood	Aluminium		Grey	3	Without TE-Logo
1	HD-K Hood	Aluminium	Aluminium oxide	Black	2	
1	HD Hood	Aluminium		Grey	1	

THIS DRAWING IS A CONTROLLED DOCUMENT. DATE: 30-Nov-07
 DIMENSIONS: INCHES UNLESS OTHERWISE SPECIFIED. DATE: 30-Nov-07
 PRODUCT SPEC: 108-74.001/74.003
 APPLICATION SPEC: 114-74.001/74.004
 MATERIAL: ALUMINUM
 FINISH: VARNISH
 CUSTOMER: Drawing
 SCALE: 1:1
 SHEET: 1 of 1
 REV: A16

STE TE Connectivity
 Hood
 HD.64.STS.M32/1.M4.0.G