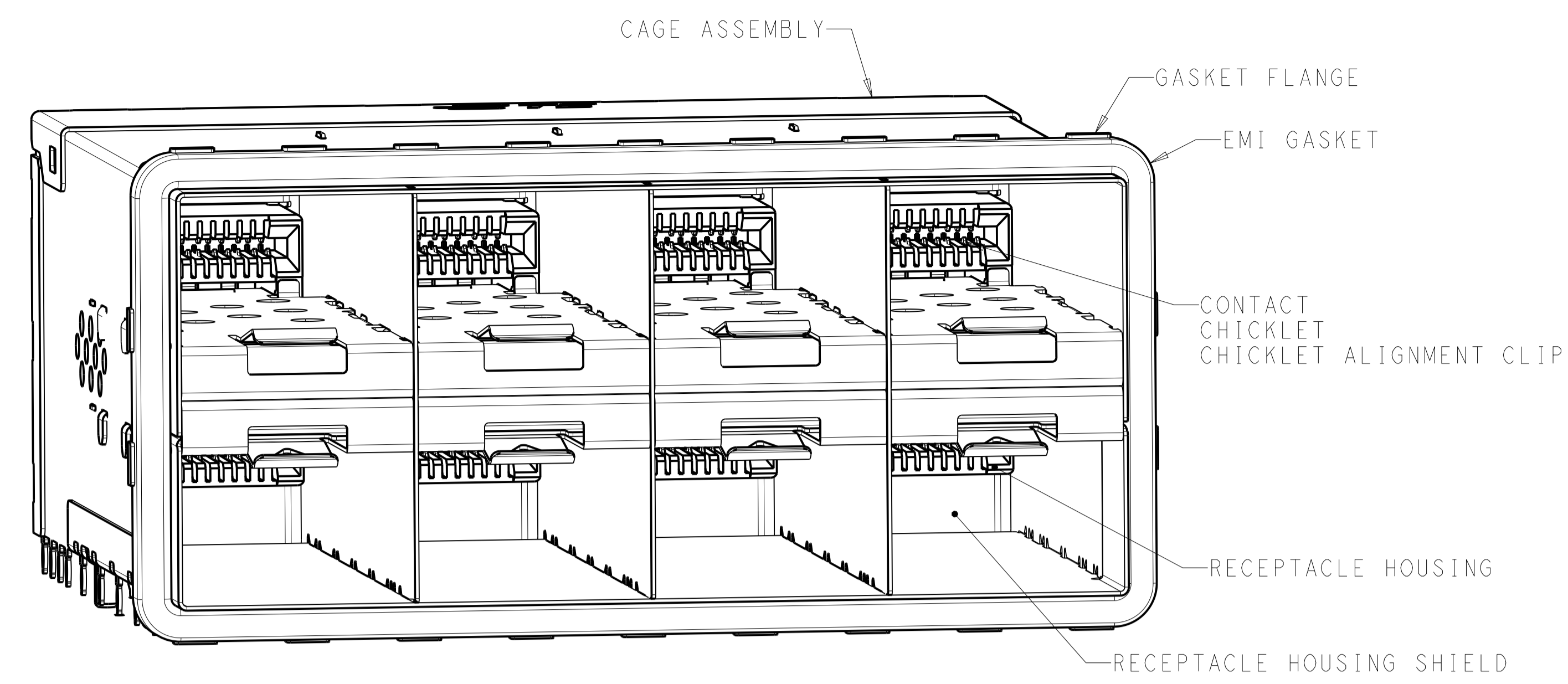
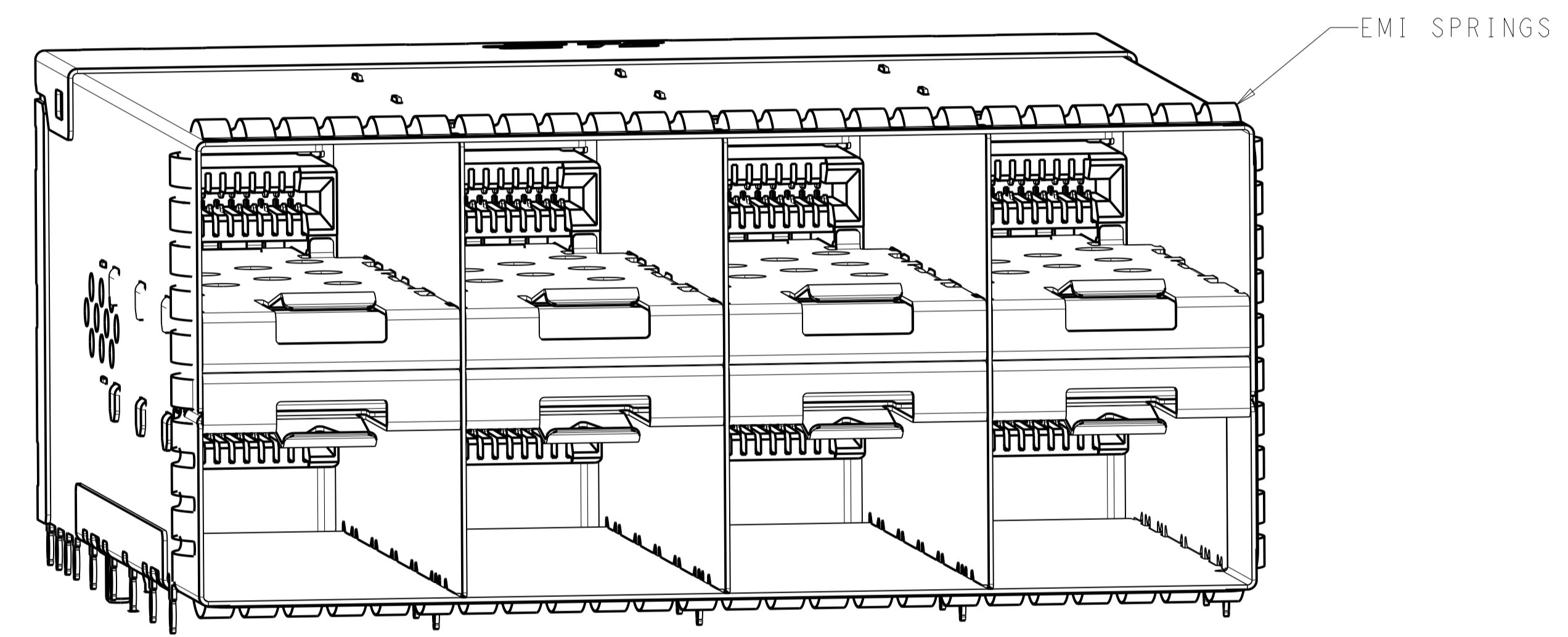


LOC	DIST	REVISIONS					
GP	00	P	LTN	DESCRIPTION	DATE	DWN	APVD
		A		RELEASED PER ECO-14-008758	12JUN2014	CJV	PAR

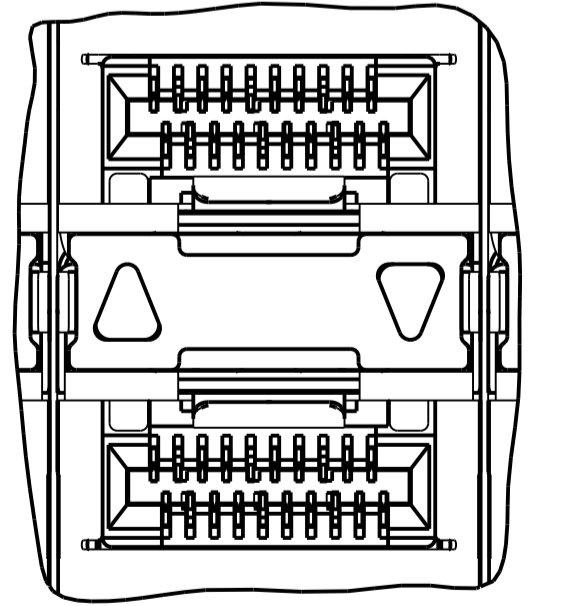
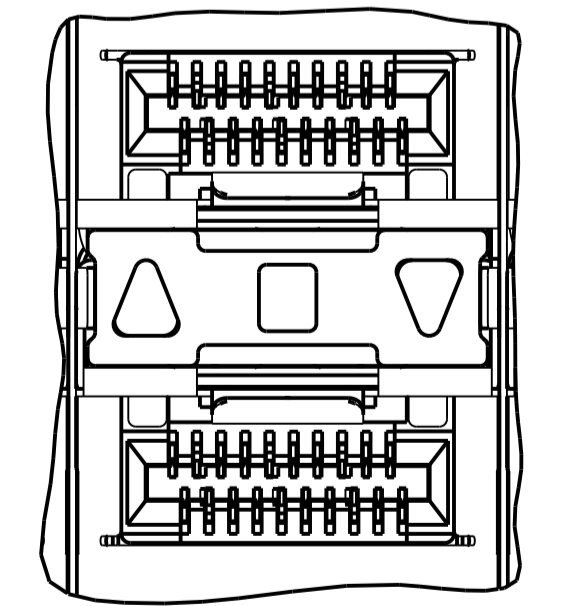
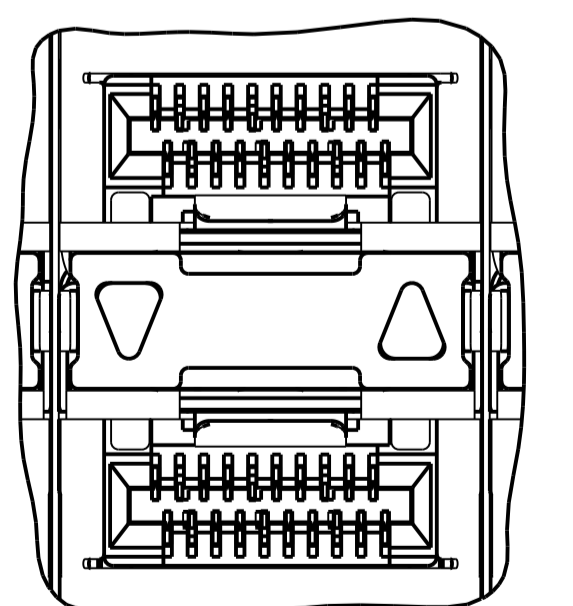
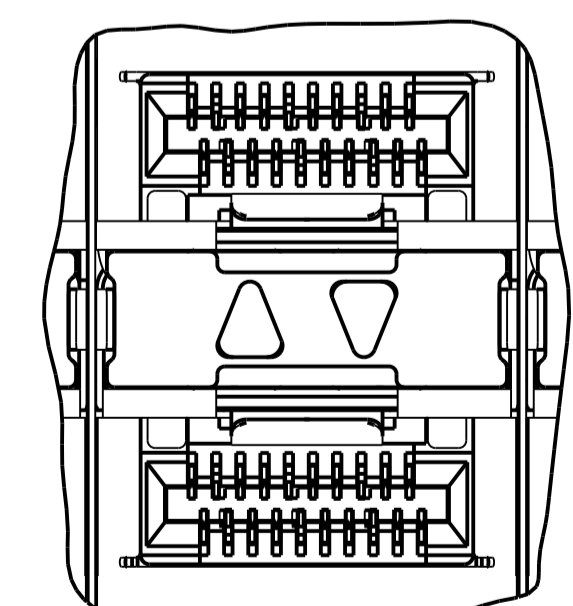
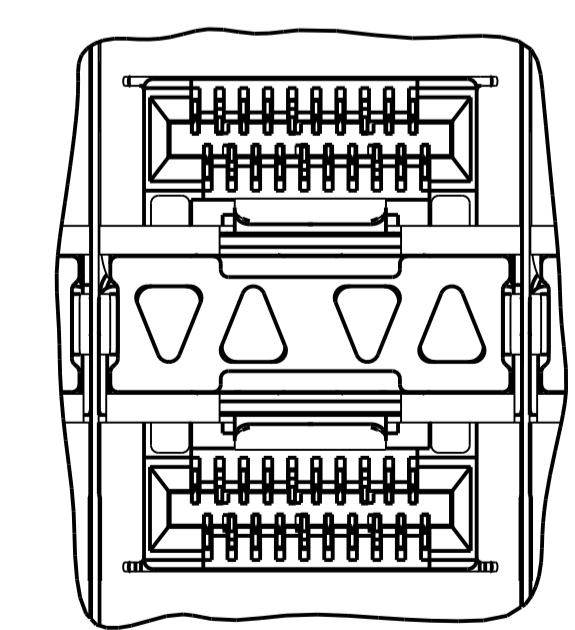


2180324-1
SCALE 4:1



2180324-5
SCALE 4:1

- MATERIALS:
 CAGE ASSEMBLY - NICKEL-SILVER ALLOY PER ASTM B 122
 CONNECTOR HOUSING - LCP, BLACK, UL 94V-0 RATED
 CONNECTOR HOUSING SHIELD - COPPER ALLOY
 CHICKLET - LCP, BLACK, UL 94V-0 RATED
 CHICKLET ALIGNMENT CLIP - PBT
 CONTACT - COPPER ALLOY
 EMI GASKET - ELASTOMERIC
 GASKET FLANGE - STAINLESS STEEL
 EMI SPRINGS - PHOSPHOR BRONZE PER ASTM B 103,
 0.8µm MIN TIN PER ASTM B 545
 LIGHT PIPE - POLYCARBONATE
 LIGHT PIPE HOUSING - ZINC ALLOY
 - CONTACT FINISH:
 CONFORMS TO THE REQUIREMENTS OF PRODUCT SPECIFICATION 108-2481,
 BASED ON EIA/ECA-364-1000.01A, (CONTROLLED ENVIRONMENT
 APPLICATIONS) ON MATING INTERFACE, TIN ON NEEDLE EYE
 - PCB MINIMUM THICKNESS = 1.5mm
- △ FOR HOLE SIZE AND PLATINGS,
 SEE APPLICATION SPECIFICATION 114-13319
- △ LIGHT PIPE PAD LAYOUT IS FOR 0805 LOW PROFILE
 LED PACKAGE WITH A HEIGHT OF 0.8mm
- △ DIMENSIONS APPLY FOR EMI SPRINGS ONLY
- △ THE ENTIRE AREA OF THE CONNECTOR FOOTPRINT, INDICATED BY THE
 DASHED LINE, TO BE CONSIDERED THE KEEPOUT AREA FOR COMPONENTS
 AND SIGNAL TRACES, TOP SIDE ONLY, TOP SIDE TRACES ALLOWED
 WITHIN CONNECTOR HOLE PATTERN



INNER/OUTER LIGHT PIPES
2180324-2, 2180324-6
SCALE 4:1

INNER LIGHT PIPES
2180324-3, 2180324-7
SCALE 4:1

OUTER LIGHT PIPES
2180324-4, 2180324-8
SCALE 4:1

CENTER/REVERSED OUTER
1-2180324-7, 1-2180324-9
SCALE 4:1

REVERSED OUTER LIGHT PIPES
1-2180324-8, 2-2180324-0
SCALE 4:1

59.5	EMI SPRINGS	REVERSED OUTER	2-2180324-0
		CENTER/REVERSED OUTER	1-2180324-9
62.25	EMI GASKET	REVERSED OUTER	1-2180324-8
		CENTER/REVERSED OUTER	1-2180324-7
59.5	EMI SPRINGS	OUTER	2180324-8
		INNER	2180324-7
		INNER/OUTER	2180324-6
		NONE	2180324-5
62.25	EMI GASKET	OUTER	2180324-4
		INNER	2180324-3
		INNER/OUTER	2180324-2
		NONE	2180324-1
(E)	CAGE TYPE	LIGHT PIPE CONFIGURATION	PART NUMBER

THIS DRAWING IS A CONTROLLED DOCUMENT.

DM: E. CONNER 14SEP2011
 CM: M. D. MORRISON 16SEP2011
 APVD: M. D. MORRISON 25OCT2011

DIMENSIONS: mm

TOLERANCES UNLESS OTHERWISE SPECIFIED:
 0 PLC ±
 1 PLC ±
 2 PLC ±
 3 PLC ±
 4 PLC ±
 ANGLES ±

PRODUCT SPEC: 108-2431
 APPLICATION SPEC: 114-13319

FINISH: SEE NOTES

WEIGHT: -
 CUSTOMER DRAWING

NAME: RECEPTACLE ASSEMBLY, 2X4, STACKED, zSFP+

SIZE: A1
 CAGE CODE: 00779
 DRAWING NO: 2180324

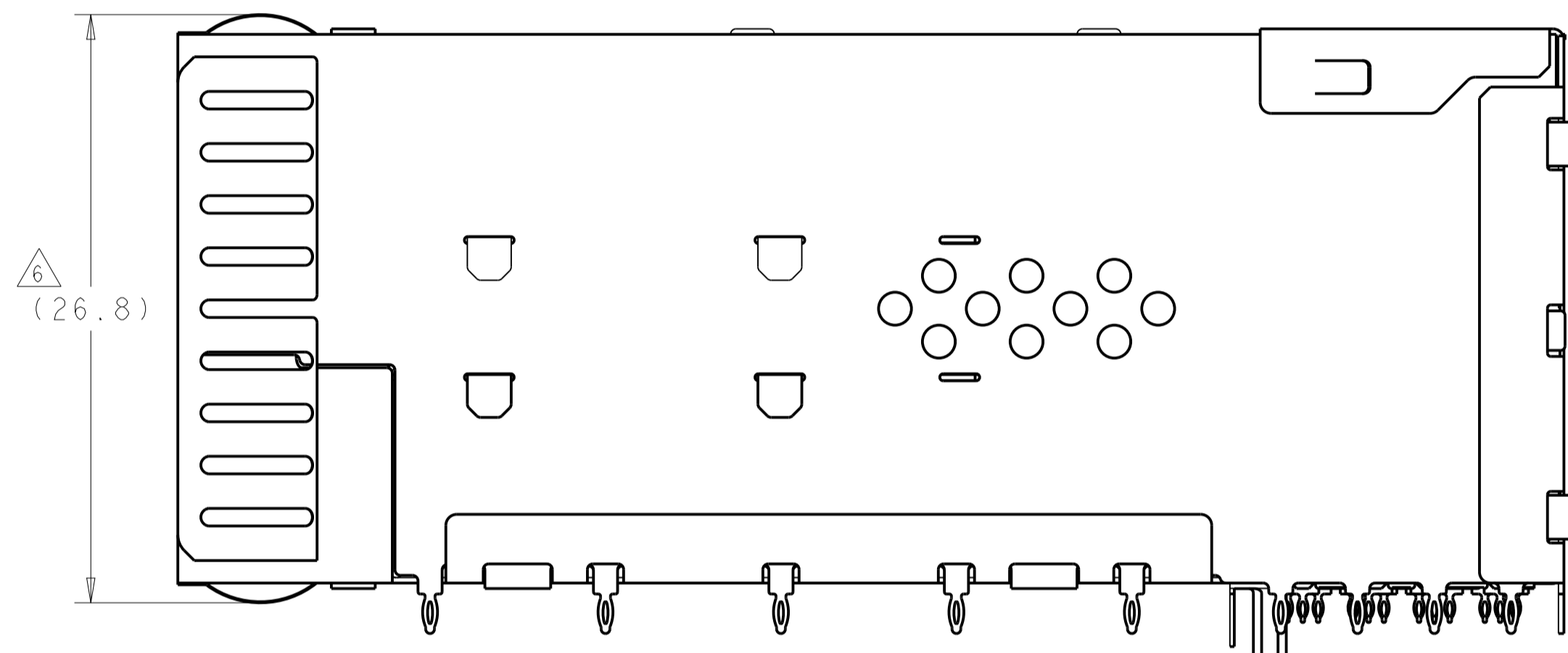
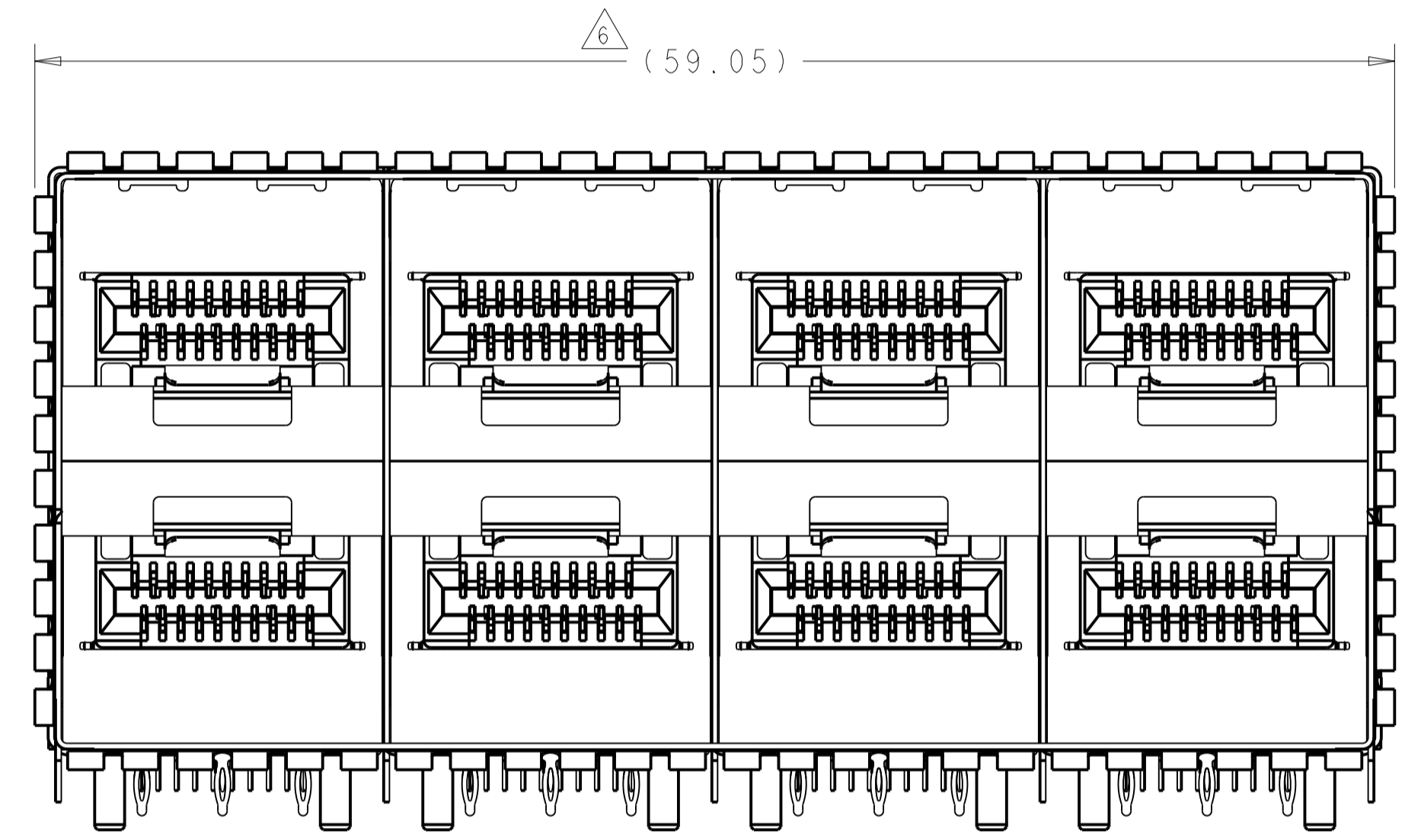
RESTRICTED TO: -

SCALE: 4:1 SHEET 1 OF 5 REV A

TE Connectivity

THIS DRAWING IS UNPUBLISHED. RELEASED FOR PUBLICATION 20
COPYRIGHT 20 BY ALL RIGHTS RESERVED.

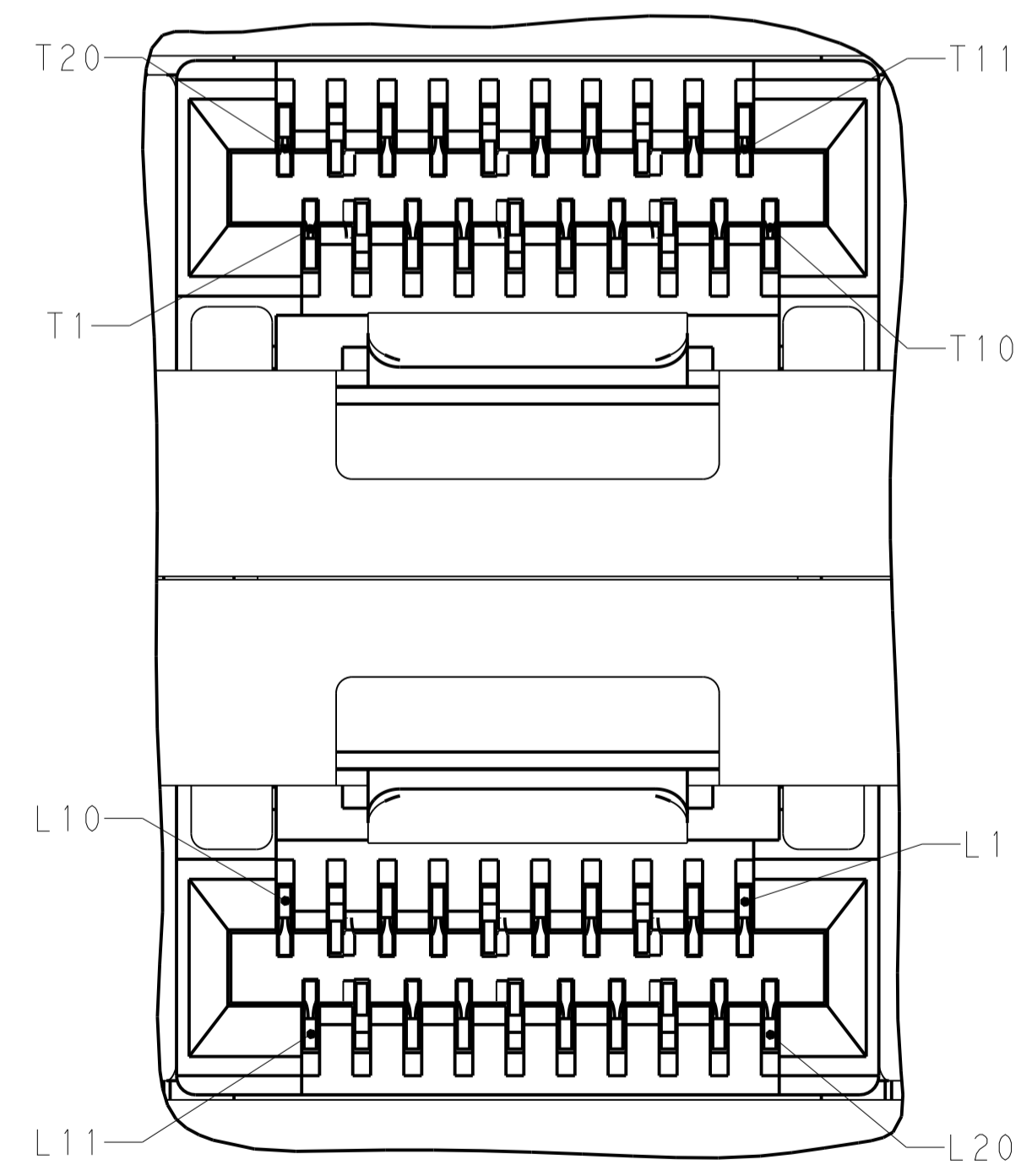
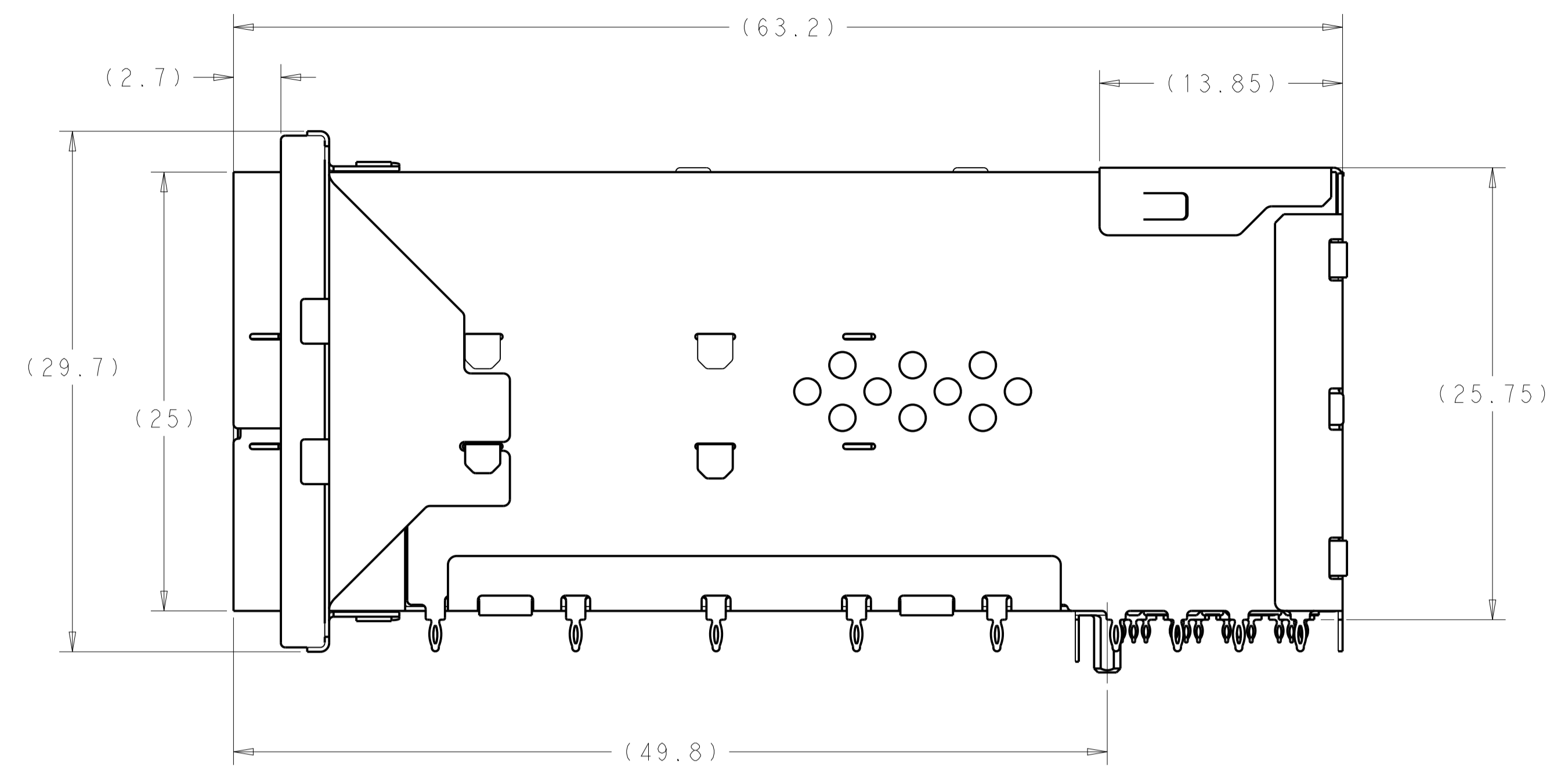
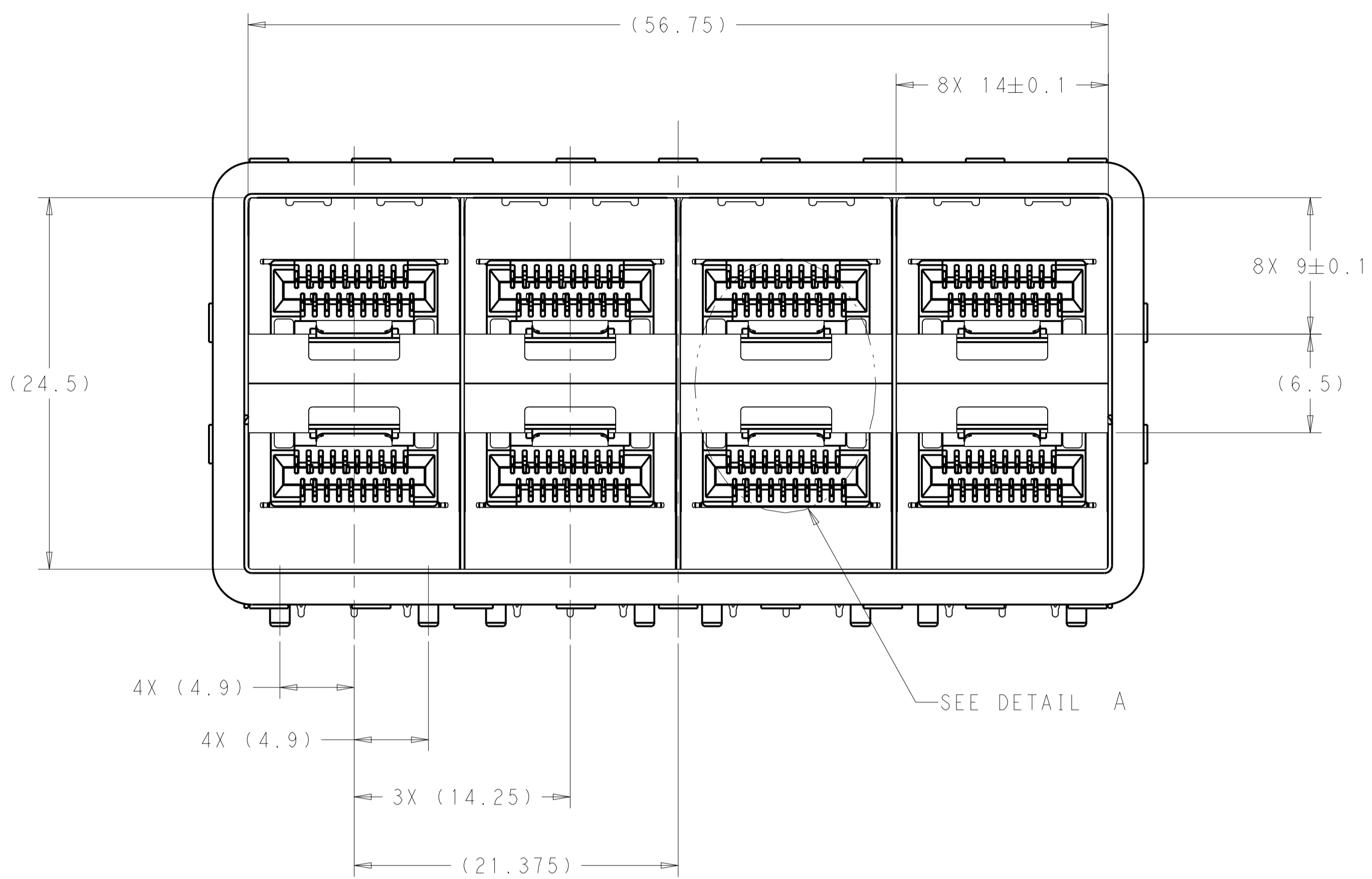
LOC		DIST		REVISIONS			
GP	00	P	LTN	DESCRIPTION	DATE	DWN	APVD
-	-	-	-	SEE SHEET 1	-	-	-



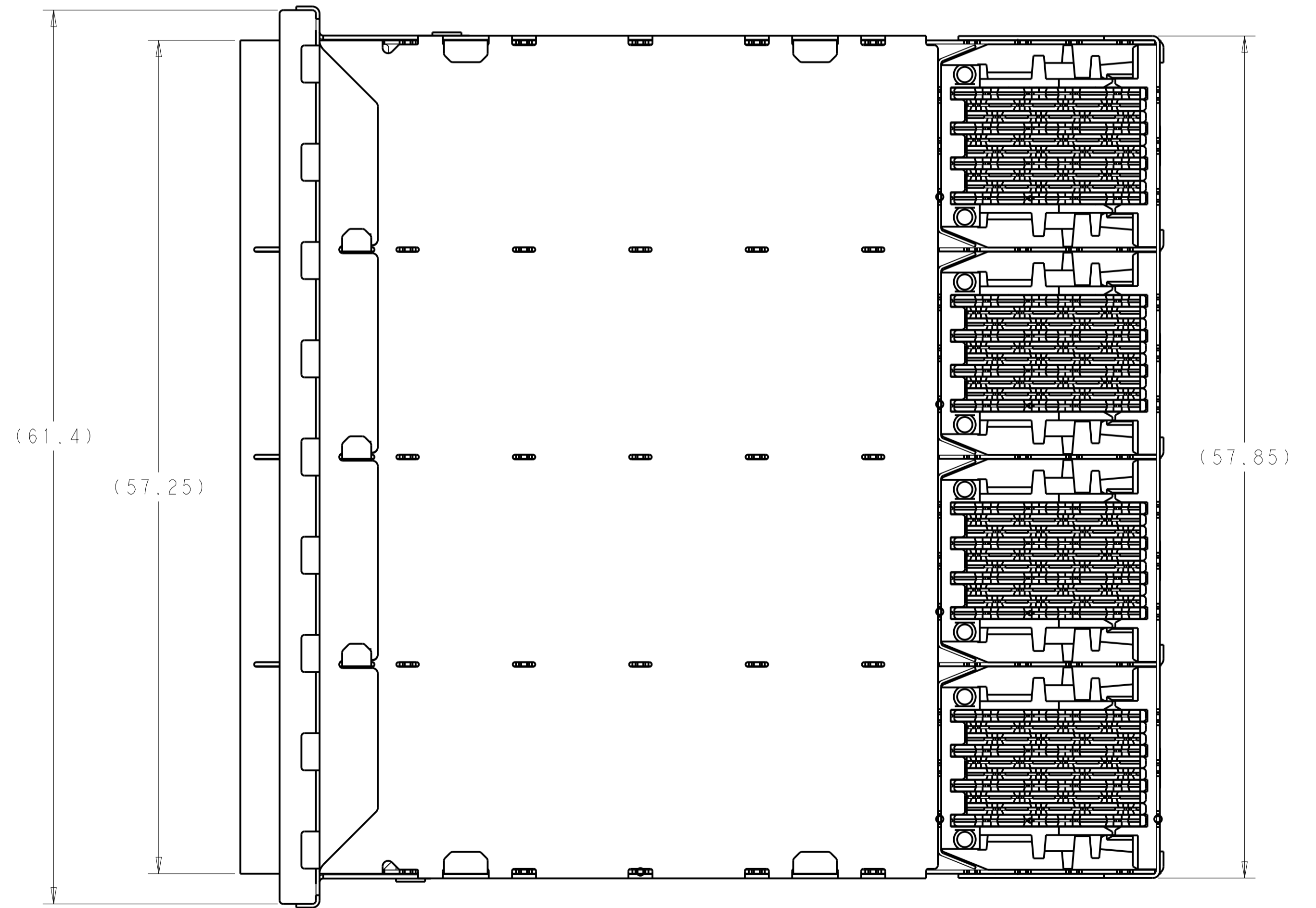
2180324-5 THRU 2180324-8, 1-2180324-9, 2-2180324-0
EMI SPRINGS ONLY
SCALE 4:1

THIS DRAWING IS A CONTROLLED DOCUMENT.		DWN: M. E. CONNER 14SEP2011	
DIMENSIONS: mm		CHK: M. D. MORRISON 16SEP2011	
TOLERANCES UNLESS OTHERWISE SPECIFIED:		APVD: M. D. MORRISON 25OCT2011	NAME: RECEPTACLE ASSEMBLY, 2X4, STACKED, zSFP+
0 PLC ±		PRODUCT SPEC: 108-2431	SIZE: A1
1 PLC ±		APPLICATION SPEC: 114-13319	CAGE CODE: 00779
2 PLC ±		WEIGHT: -	DRAWING NO: 2180324
3 PLC ±		FINISH: -	RESTRICTED TO: -
4 PLC ±		MATERIAL: SEE NOTES	SCALE: 1:1
ANGLES ±		FINISH: SEE NOTES	SHEET: 2 OF 5
MATERIAL: SEE NOTES		FINISH: SEE NOTES	REV: A
CUSTOMER DRAWING		SCALE: 1:1 SHEET 2 OF 5 REV A	

LOC		DIST		REVISIONS			
GP	00	P	LTN	DESCRIPTION	DATE	DWN	APVD
		-		SEE SHEET 1			



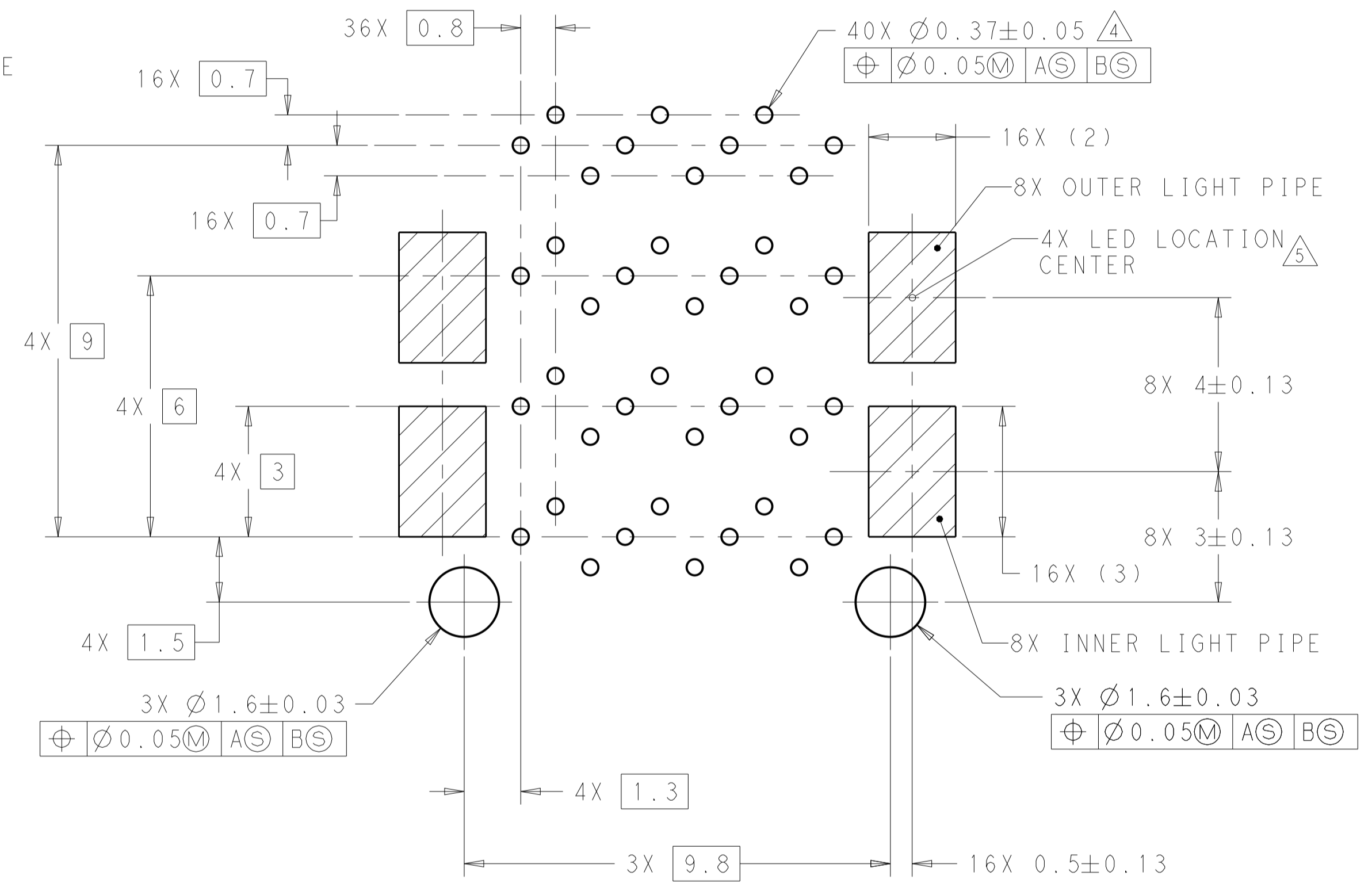
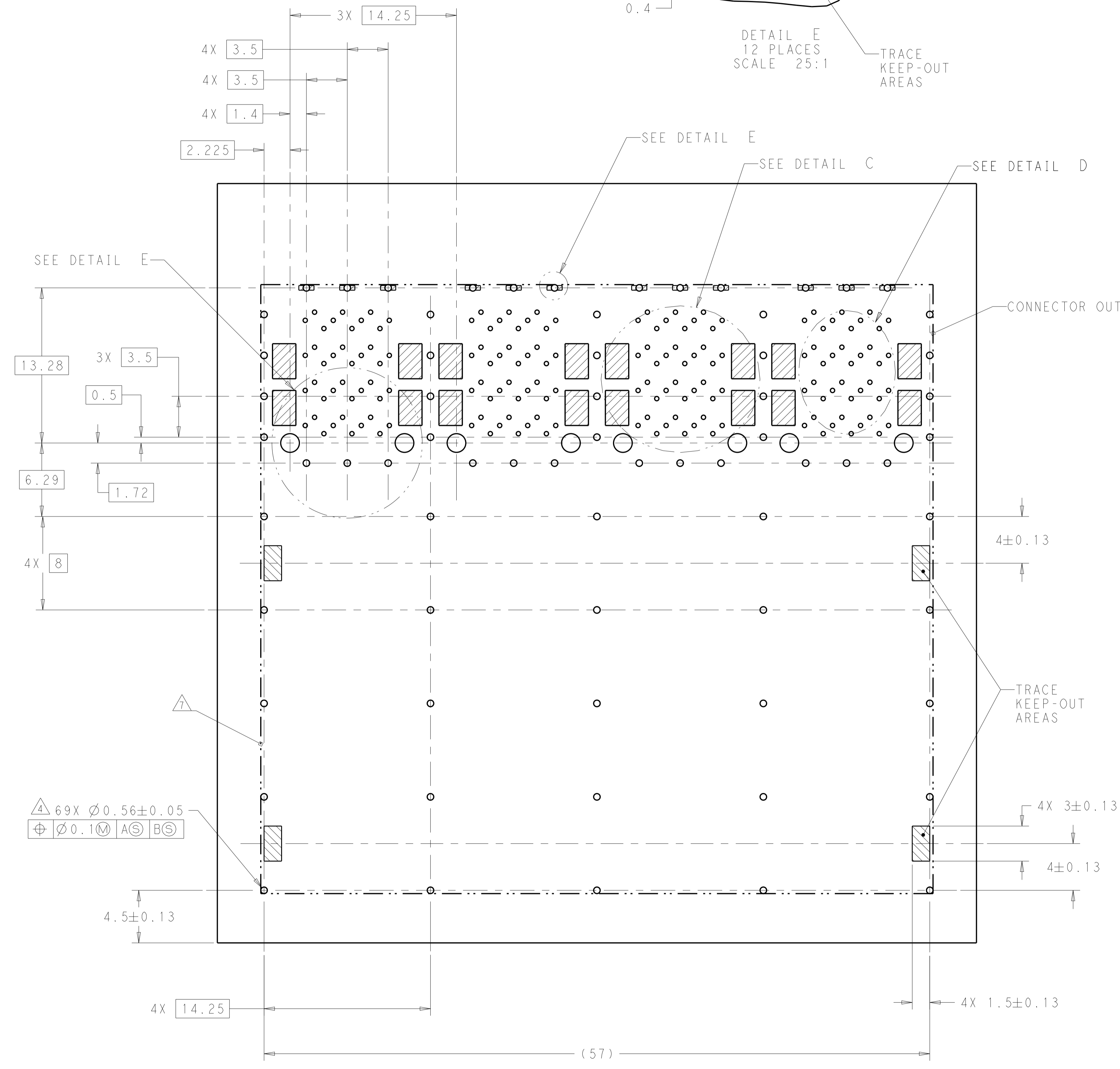
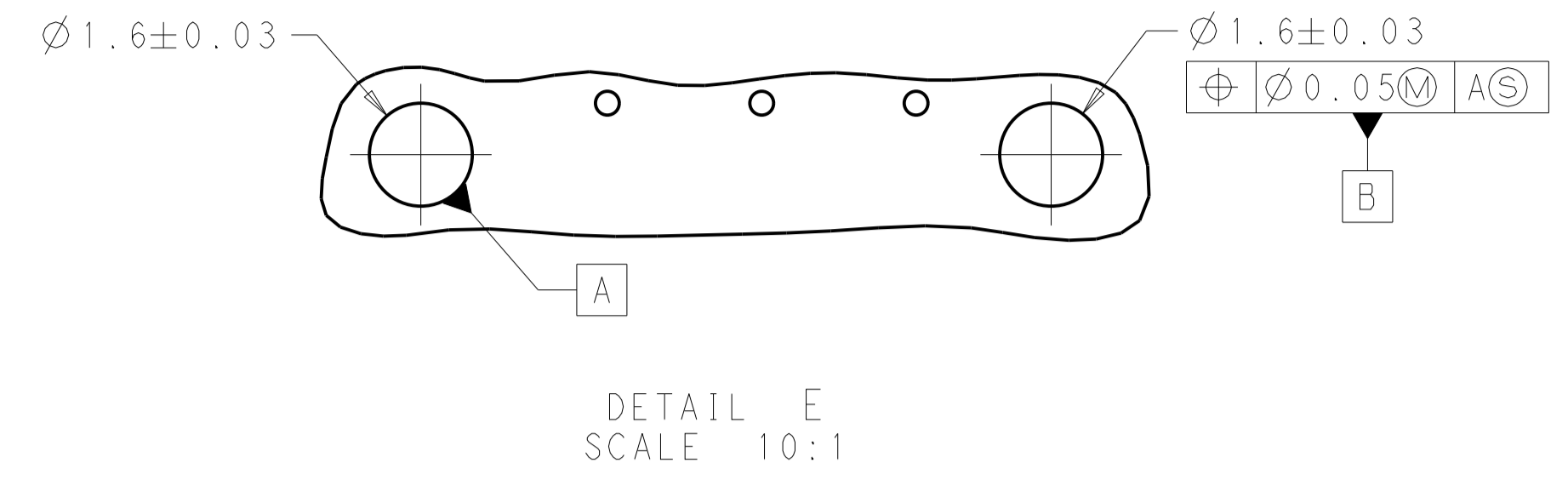
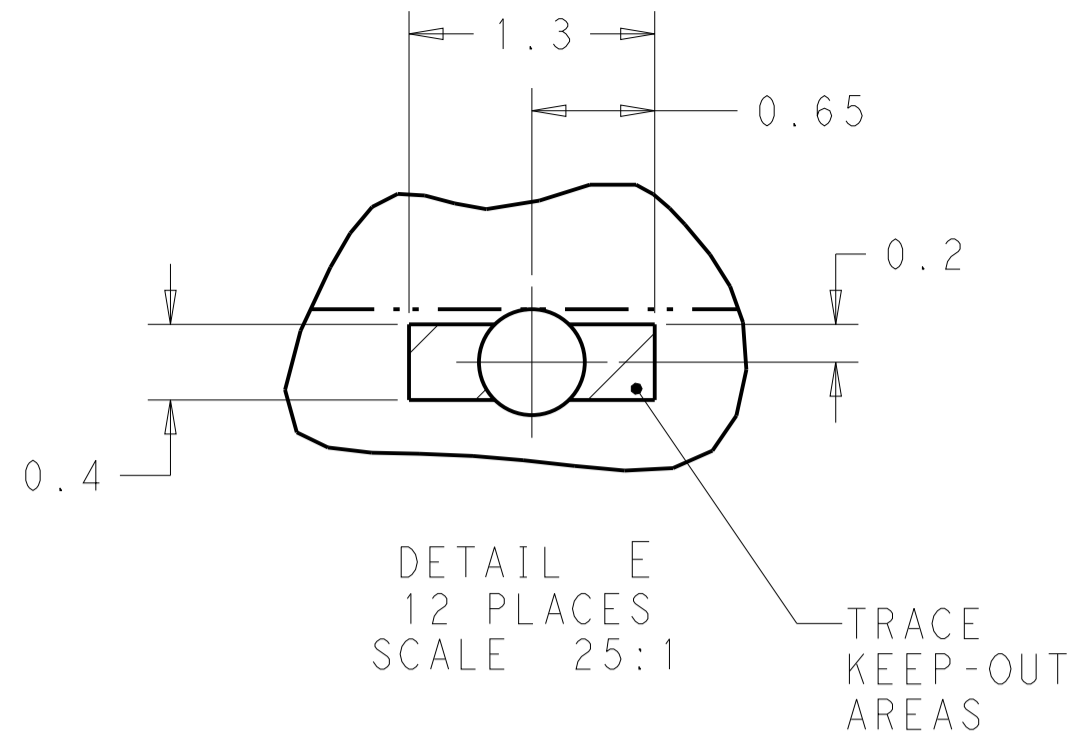
DETAIL A
 4X INDIVIDUALLY
 SCALE 10:1



THIS DRAWING IS A CONTROLLED DOCUMENT.		DWN: M.E. CONNER 14SEP2011	TE Connectivity
DIMENSIONS: mm		CHK: M.D. MORRISON 16SEP2011	
TOLERANCES UNLESS OTHERWISE SPECIFIED: 0 PLC ± 1 PLC ± 2 PLC ± 3 PLC ± 4 PLC ± ANGLES ±		APVD: M.D. MORRISON 25OCT2011 PRODUCT SPEC: 108-2431 APPLICATION SPEC: 114-13319 WEIGHT:	NAME: RECEPTACLE ASSEMBLY, 2X4, STACKED, zSFP+ SIZE: A1 CAGE CODE: 100779 DRAWING NO: 2180324
MATERIAL: SEE NOTES		FINISH: SEE NOTES	RESTRICTED TO: - SCALE: 1:1 SHEET: 3 OF 5 REV: A

LOC	DIST	REV	DATE	BY	APPV
GP	00				

REVISIONS				
REV	DATE	BY	APPV	DESCRIPTION
-	-	-	-	SEE SHEET 1



THIS DRAWING IS A CONTROLLED DOCUMENT.		OWN: M.E. CONNER 14SEP2011	TE Connectivity
DIMENSIONS: mm		CHK: M.D. MORRISON 16SEP2011	
TOLERANCES UNLESS OTHERWISE SPECIFIED:		APV: M.D. MORRISON 25OCT2011	NAME: RECEPTACLE ASSEMBLY, 2X4, STACKED, zSFP+ SIZE: A1 CAGE CODE: 100779 DRAWING NO: C=2180324 RESTRICTED TO: - SCALE: 1:1 SHEET 4 OF 5 REV A
0 PLC ±		PRODUCT SPEC: 108-2431	
1 PLC ±		APPLICATION SPEC: 114-13319	
2 PLC ±		WEIGHT: -	
3 PLC ±		CUSTOMER DRAWING	

LOC	DIST	REVISIONS			
GP	00	REV	DATE	BY	APPV
		-	SEE SHEET 1	-	-

T19○ T16○ T13○
 T20○ T17○ T14○ T11○
 T18○ T15○ T12○

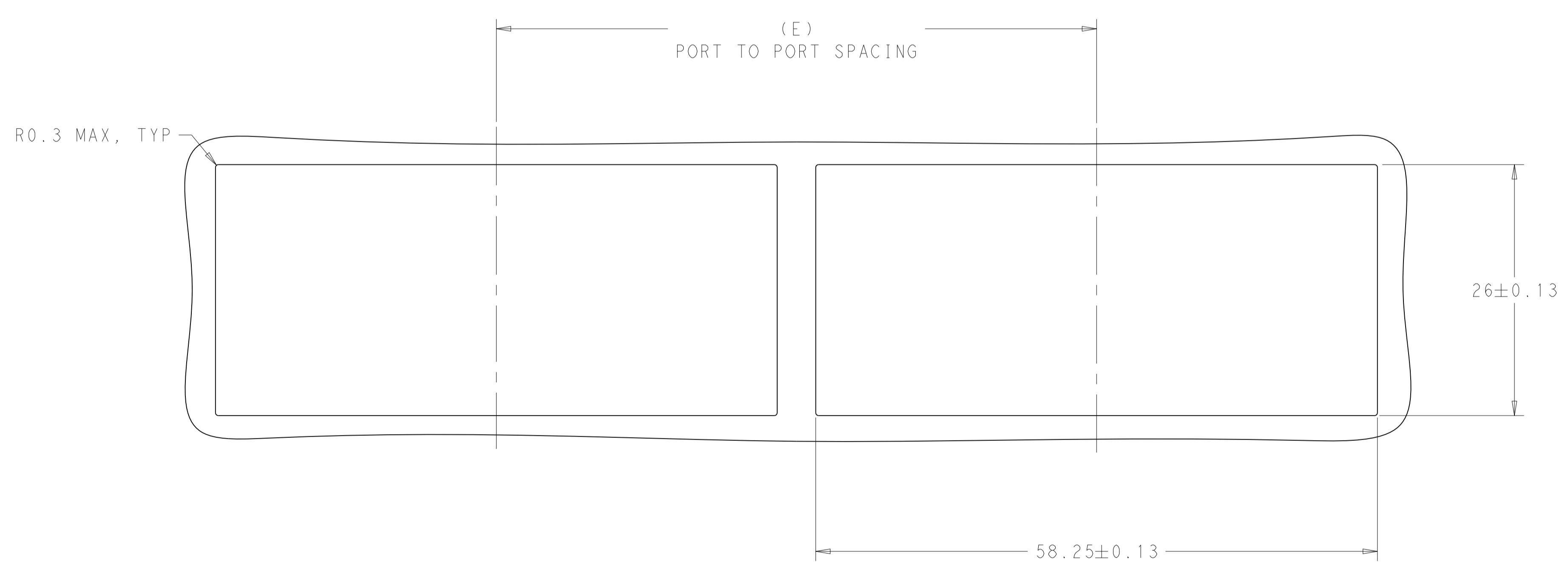
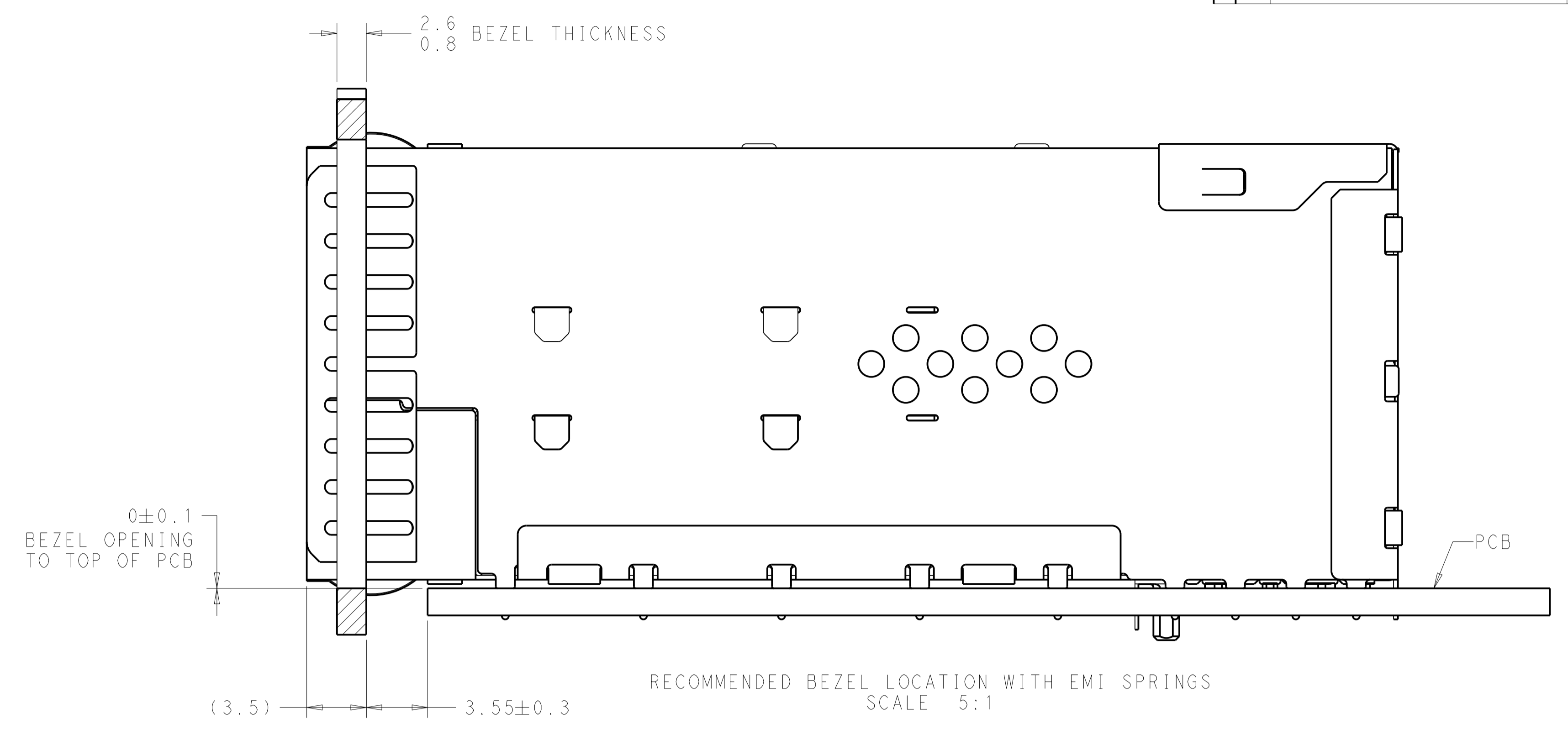
T2○ T5○ T8○
 T1○ T4○ T7○ T10○
 T3○ T6○ T9○

L9○ L6○ L3○
 L10○ L7○ L4○ L1○
 L8○ L5○ L2○

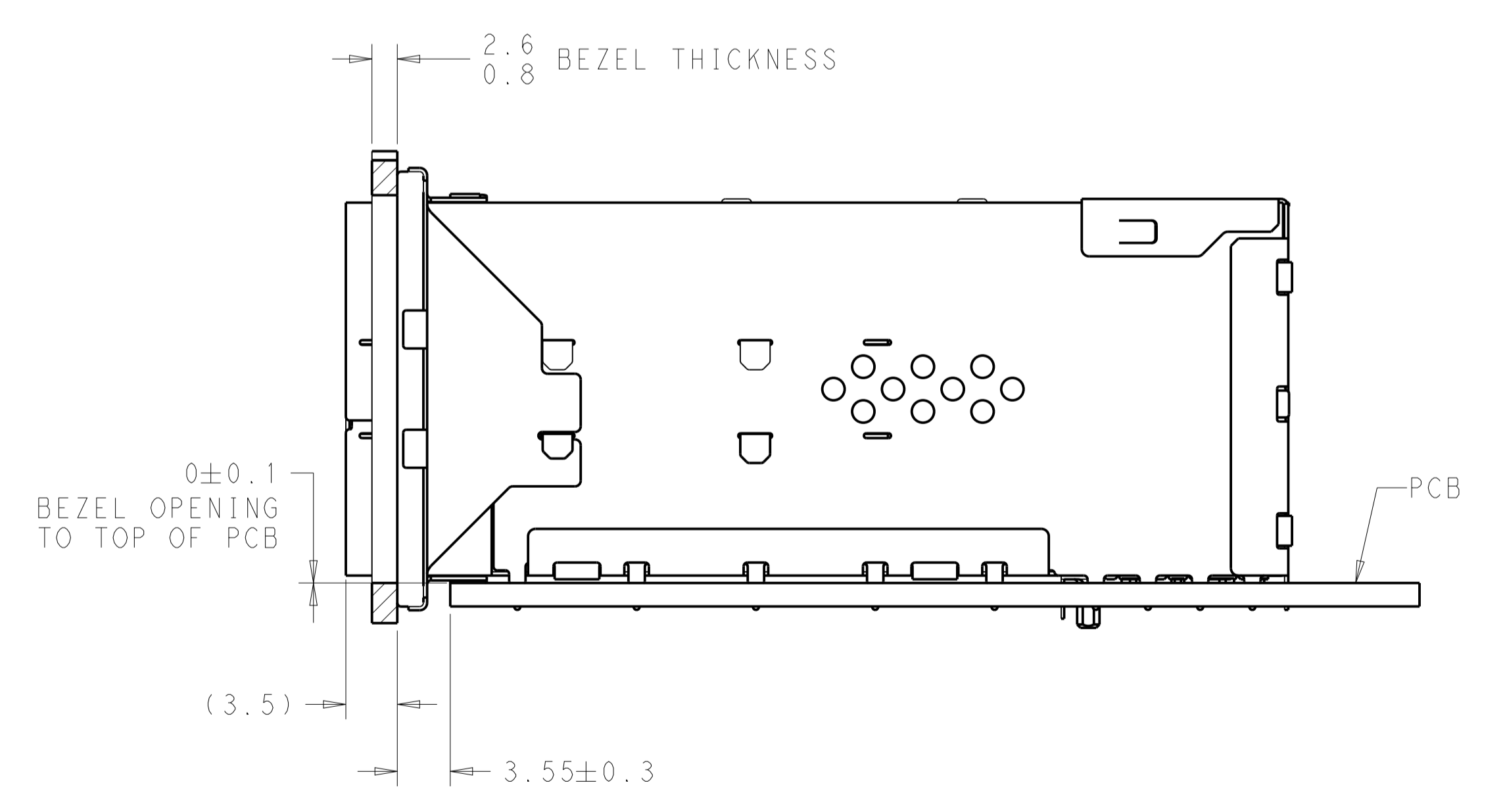
L12○ L15○ L18○
 L11○ L14○ L17○ L20○
 L13○ L16○ L19○

PIN MAP LEGEND	
PIN NUMBER	FUNCTION
L1/T1	VEET
L2/T2	TX-FAULT
L3/T3	TX-DISABLE
L4/T4	SDA
L5/T5	SCL
L6/T6	MOD_ABS
L7/T7	RS0
L8/T8	RX_LOS
L9/T9	RS1
L10/T10	VEER
L11/T11	VEER
L12/T12	RD-
L13/T13	RD+
L14/T14	VEER
L15/T15	VCCR
L16/T16	VCCT
L17/T17	VEET
L18/T18	TD+
L19/T19	TD-
L20/T20	VEET

DETAIL D
 PIN MAP
 4 PLACES
 SCALE 15:1



RECOMMENDED BEZEL CUT-OUT DETAIL
 SCALE 3:1



RECOMMENDED BEZEL LOCATION WITH EMI GASKET
 SCALE 3:1

THIS DRAWING IS A CONTROLLED DOCUMENT.		OWN M.E. CONNER 14SEP2011	TE Connectivity
DIMENSIONS: mm		CHK M.D. MORRISON 16SEP2011	
TOLERANCES UNLESS OTHERWISE SPECIFIED:		APVD M.D. MORRISON 25OCT2011	NAME RECEPTACLE ASSEMBLY, 2X4, STACKED, zSFP+
0 PLC ±	1 PLC ±	PRODUCT SPEC 108-2431	SIZE CAGE CODE DRAWING NO. RESTRICTED TO
2 PLC ±	3 PLC ±	APPLICATION SPEC 114-13319	A100779C=2180324
4 PLC ±	ANGLES ±	WEIGHT	SCALE 1:1 SHEET 5 OF 5 REV A
MATERIAL SEE NOTES	FINISH SEE NOTES	CUSTOMER DRAWING	