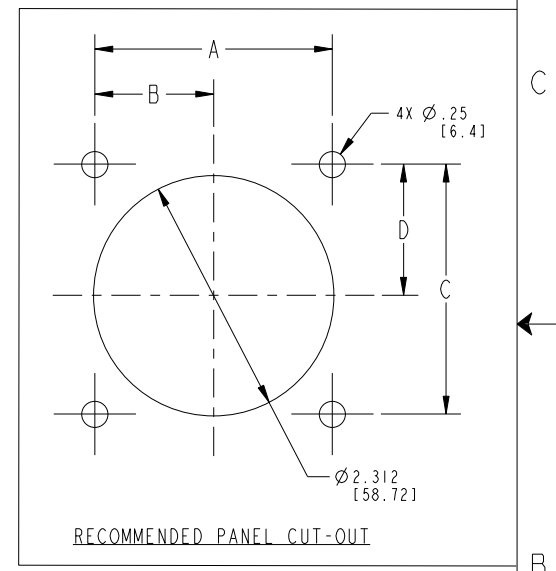
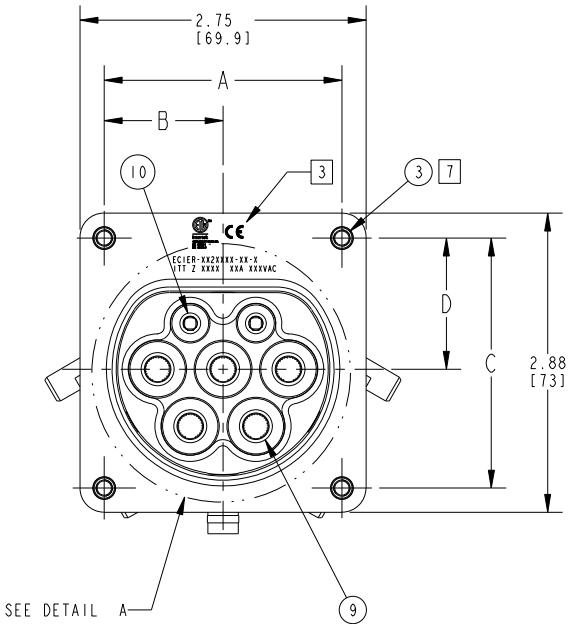
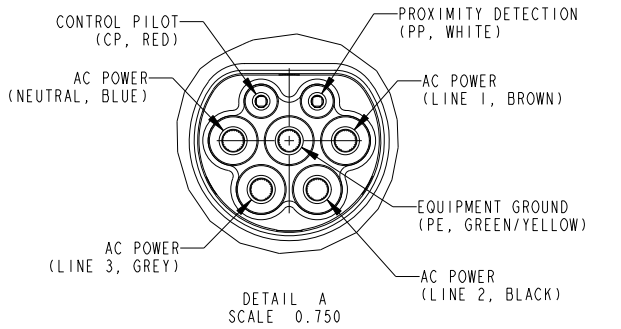
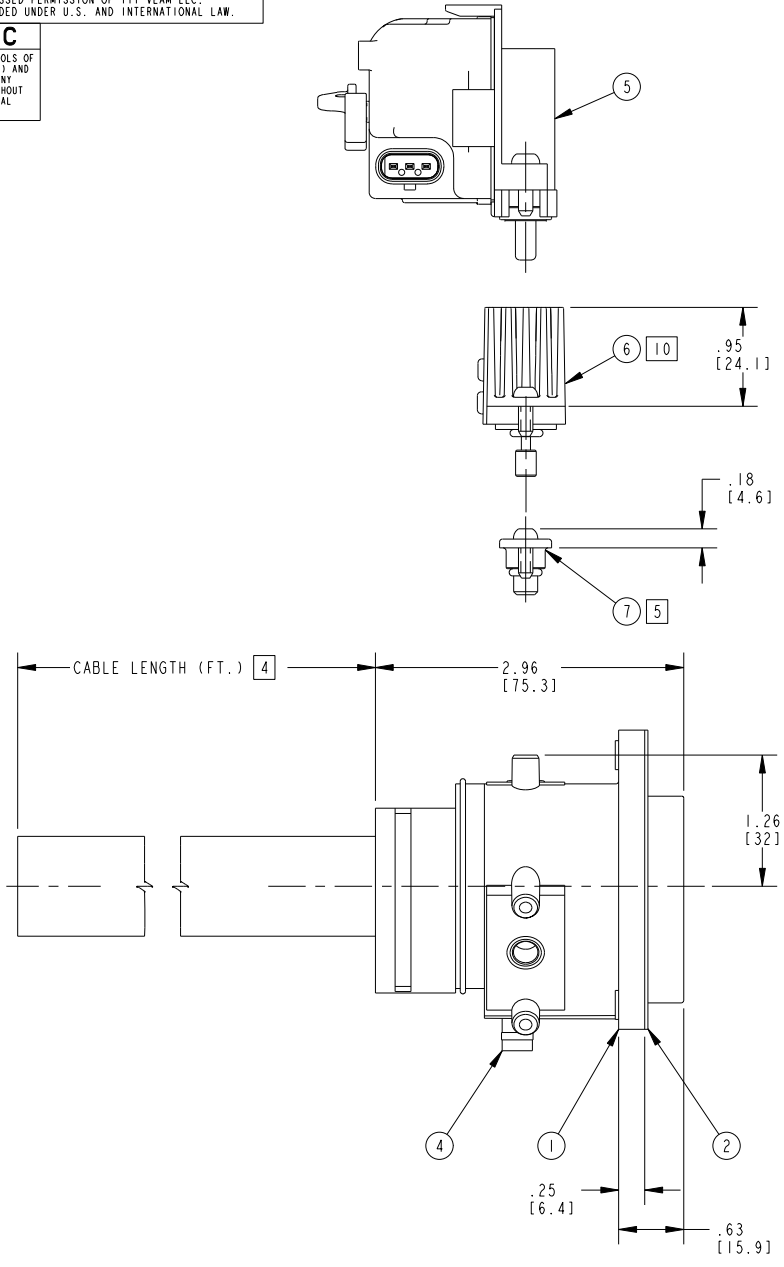


THIS DOCUMENT AND THE INFORMATION CONTAINED HEREIN IS THE SOLE PROPERTY OF ITT VEAM LLC AND IS NOT TO BE COPIED, REPRODUCED, DISCLOSED OR TRANSFERRED BY ELECTRONIC MEDIA WITHOUT THE EXPRESSED PERMISSION OF ITT VEAM LLC. VIOLATIONS SUBJECT TO PENALTIES PROVIDED UNDER U.S. AND INTERNATIONAL LAW.

Export Classification Code - **C**
 THIS INFORMATION IS SUBJECT TO THE CONTROLS OF THE EXPORT ADMINISTRATION REGULATIONS (EAR) AND SHALL NOT BE TRANSFERRED BY ANY MEANS TO ANY PERSON OR LOCATION OUTSIDE OF THE U.S. WITHOUT THE WRITTEN PERMISSION FROM ITT AND APPROVAL FROM THE U.S. DEPARTMENT OF COMMERCE.

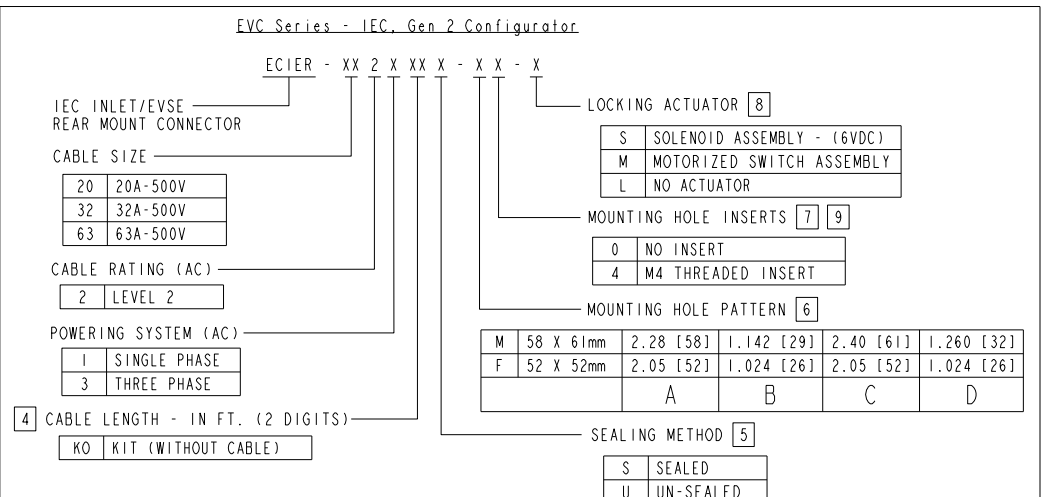
| REV | DESCRIPTION | BY / DATE | APP'D. |
|-----|-----------------------------------|-----------|--------|
| C | REVISED & REDRAWN. ECR 11326 | JG 021913 | LAW |
| D | REVISED. ECR 11476 | JG 041714 | LAW |
| E | REVISED. ADDED NOTE 10. ECR 11569 | JG 072114 | LAW |

ITT ISSUED
 By mike.gardiner at 1:24 pm, May 13, 2015



NOTES: UNLESS OTHERWISE SPECIFIED

- ALL CABLE CONDUCTORS NOT SHOWN FOR CLARITY.
- CONNECTOR MEETS IEC 62196-1/-2 SPECIFICATION FOR LEVEL 2 CHARGING CONNECTOR.
- CONNECTOR MARKING TO INCLUDE - ETL-EU MARKING, CE MARKING, CATALOG No., DATE CODE, RATED CABLE AMPERAGE AND OPERATING CONNECTOR VOLTAGE.
- STANDARD CABLE LENGTH TOLERANCE:
 - 1' FT. TO 10' FT. = ±1" IN.
 - 11' FT. TO 20' FT. = ±2" IN.
 - OVER 20' FT. = ±3" IN.
- ONLY USE SEALING CAP(S) IF SEALING METHOD IS REQUIRED.
 SEALING CAPS TO BE SUPPLIED NOT ASSEMBLED.
- FOR MOUNTING HOLE PATTERN OPTION, ONLY (1) INLET SHELL AND (1) GASKET SIZE IS REQUIRED.
- ONLY USE M4 THREADED INSERT(S) IF MOUNTING RING IS NOT REQUIRED.
- FOR LOCKING ACTUATOR OPTION, ONLY (1) SELECTION IS REQUIRED.
 ACTUATOR TO BE SUPPLIED NOT ASSEMBLED.
- MOUNTING RING ONLY AVAILABLE WITH CERTAIN CONFIGURATIONS.
 CONSULT SALES FOR MORE INFORMATION.
- SOLENOID PERFORMANCE - (6VDC) 100% CONTINUOUS DUTY, 21.93Ω, (1.6W).
 CONSULT SALES FOR OTHER PERFORMANCE OPTIONS.



| ITEM | PART NAME | DESCRIPTION |
|------|----------------------------|---|
| 10 | SOCKET CONTACT | SIZE- 3MM, CRIMP P/N 51511EC-3M-2-T8 QTY- 2 MATERIAL- COPPER ALLOY FINISH- NICKEL PLATED |
| 9 | SOCKET CONTACT | SIZE- 6MM, CRIMP P/N A80628EC-6M-2-T8 QTY- 5 MATERIAL- COPPER ALLOY FINISH- NICKEL PLATED |
| 8 | MOUNTING RING | MATERIAL- GLASS FILLED NYLON |
| 7 | SEALING CAP | MATERIAL- GLASS FILLED NYLON |
| 6 | SOLENOID ACTUATOR ASSEMBLY | MATERIAL- CAST ALUMINUM FINISH- NATURAL ANODIZE |
| 5 | MOTORIZED SWITCH ASSEMBLY | MATERIAL- GLASS FILLED PBT |
| 4 | DRAIN SPOUT | MATERIAL- BRASS FINISH- NICKEL PLATED |
| 3 | M4 THREADED INSERT | MATERIAL- BRASS FINISH- NICKEL PLATED |
| 2 | PANEL GASKET | MATERIAL- EPDM |
| 1 | INLET SHELL | MATERIAL- GLASS FILLED NYLON |

ITT VEAM
 100 New Road
 Waterford, CT 06475

CUSTOMER DRAWING

| | | | | | |
|----------|-----|------|--------|-------------|---|
| DRAWN | JG | DATE | 020413 | REF | PROJECT 5499 |
| CHECKED | SD | DATE | 021913 | PART NO | SEE CONFIGURATOR |
| APPROVED | LAW | DATE | 021913 | DESCRIPTION | IEC, CHARGING CONNECTOR INLET, EVSE, REAR MOUNT, EVC SERIES |

UNLESS OTHERWISE SPECIFIED:
 SCALE 0.875
 CAGE CODE 55561
 DIMENSIONS ARE IN: INCHES
 SIZE C DS SHEET 1 / 1 REV E

Z98177