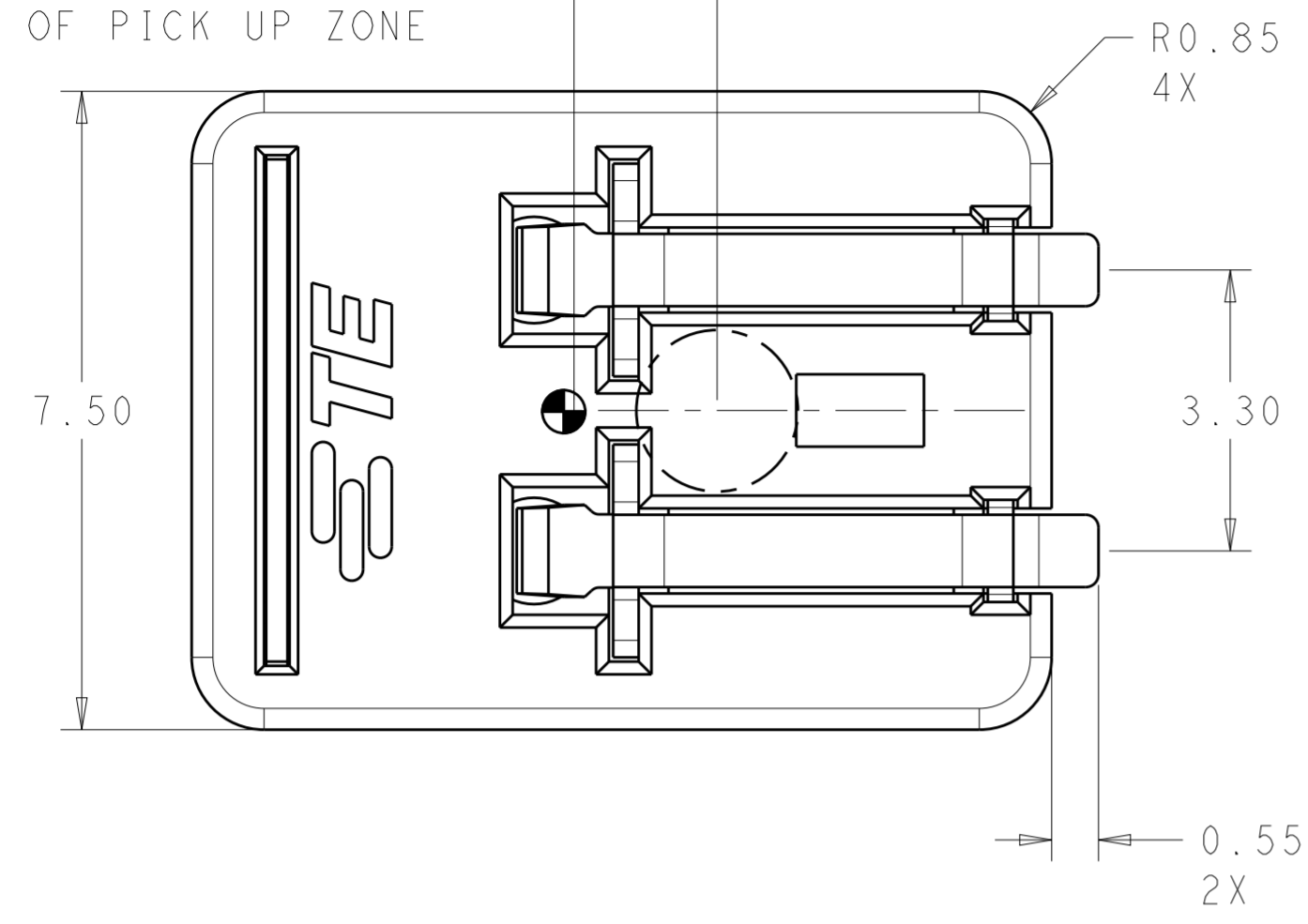


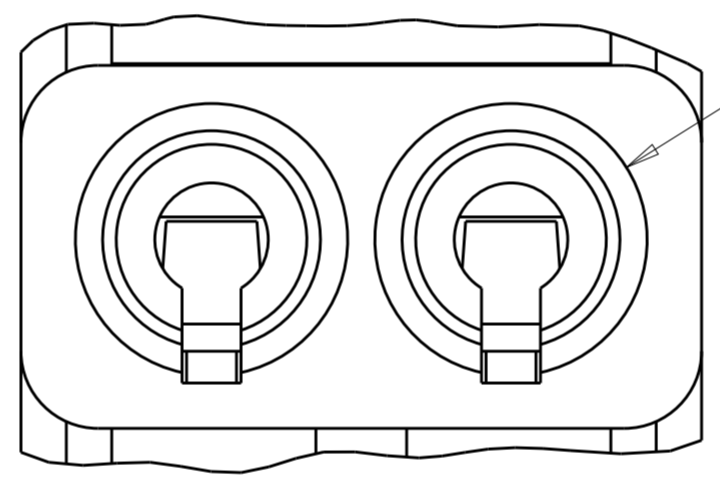
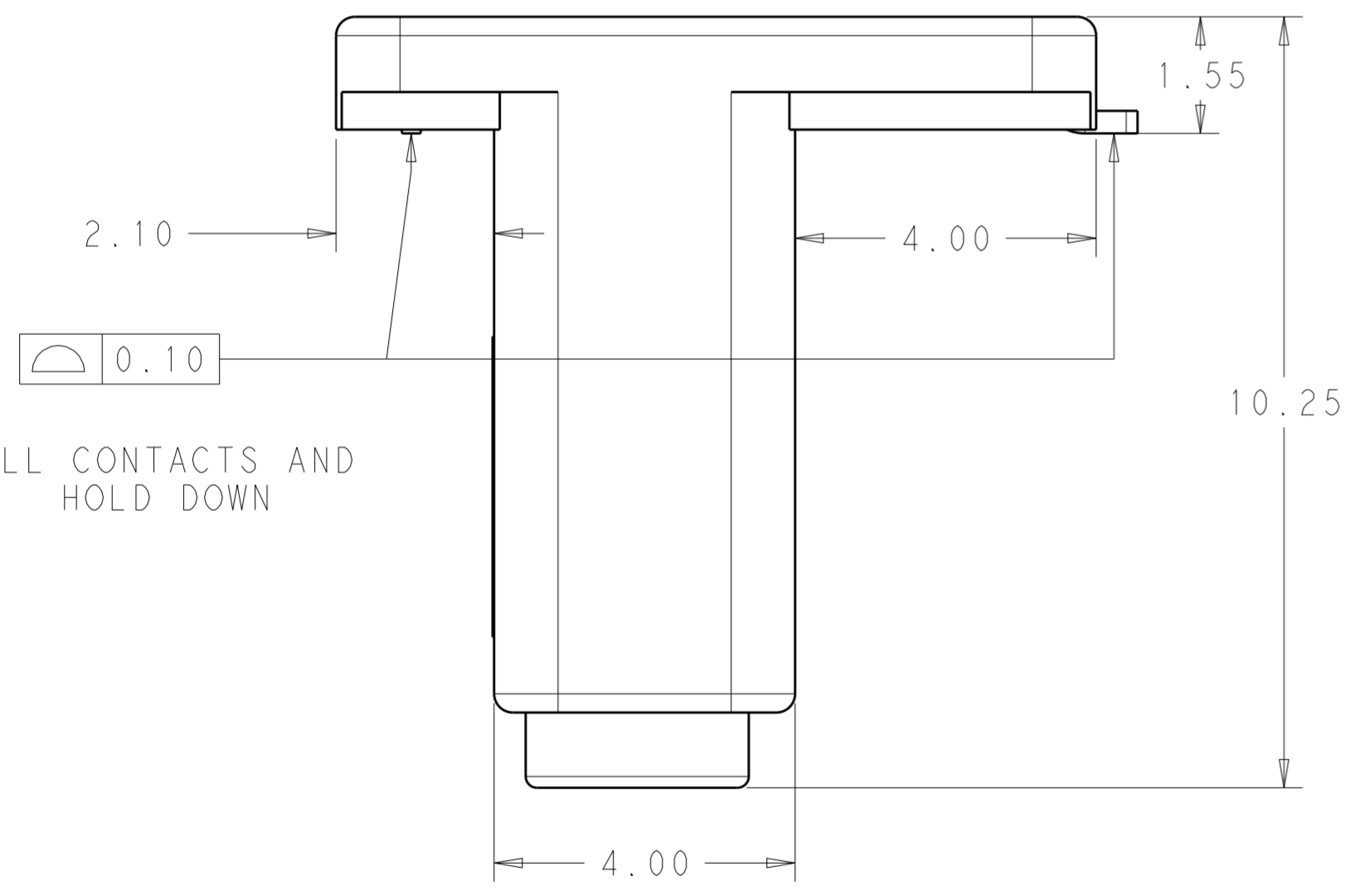
THIS DRAWING IS UNPUBLISHED. RELEASED FOR PUBLICATION 20
 © COPYRIGHT 20 BY - ALL RIGHTS RESERVED.

REVISIONS							
LOC	DIST	P	LTR	DESCRIPTION	DATE	DWN	APVD
-	-	5		ADD 108/114, PRELIM NOTE	09APR2013	CG	CG
		6		UPDATE VIEWS, 1.75 TO 2.10 SHT1B4	23MAY2013	CG	CG
		7		ADD SOLDERMASK DIMS	30MAY2013	CG	CG
		8		PACKAGING INFO ADDED	20AUG2014	RS	CG

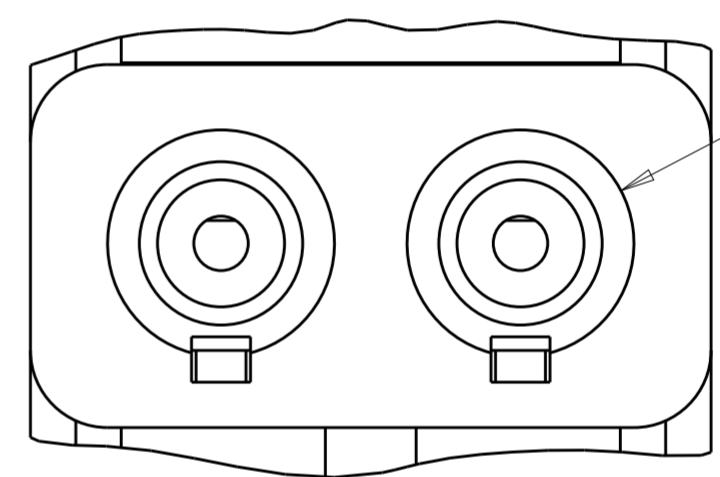
1.68 DISTANCE FROM COG TO CENTER OF PICK UP ZONE



- 1 MATERIALS AND FINISH:
 -HOUSING AND COVER: THERMOPLASTIC, COLOR: NATURAL
 -CONTACTS: COPPER ALLOY, FINISH: Sn OVER Ni
 -HOLD DOWN: COPPER ALLOY, FINISH: Sn OVER Ni
- 2. MUST COMPLY WITH DIRECTIVE 2002/95/EC (ROHS)
- 3. THIS PRODUCT HAS NOT COMPLETED VALIDATION TESTING.
- 4 TO BE USED WITH UL1007 WIRE 22-18AWG SOLID, 20-18 AWG BONDED, 18 AWG STRANDED.
- 5. PACKAGED IN TAPE AND REEL
- 6 TO BE USED WITH UL1007 WIRE 26-24 AWG SOLID.
- 7 DIMENSION SHOWN IS RECOMMENDED SOLDER MASK OPENING



2213189-1, -3



2213189-2, -4

2213189-1, -2

26-24	∅2.50	WITH COVER	6	2213189-4
22-18	∅3.00	WITH COVER	4	2213189-3
26-24	∅2.50	W/O COVER	6	2213189-2
22-18	∅3.00	W/O COVER	4	2213189-1
MARKING	DIM X	DESCRIPTION	WIRE RANGE	PART NO.

SEE VIEW E

THIS PRINT IS
PRELIMINARY
 UNQUALIFIED PRODUCT
 CONTACT PRODUCT ENGINEERING
 BEFORE USING THIS PRINT

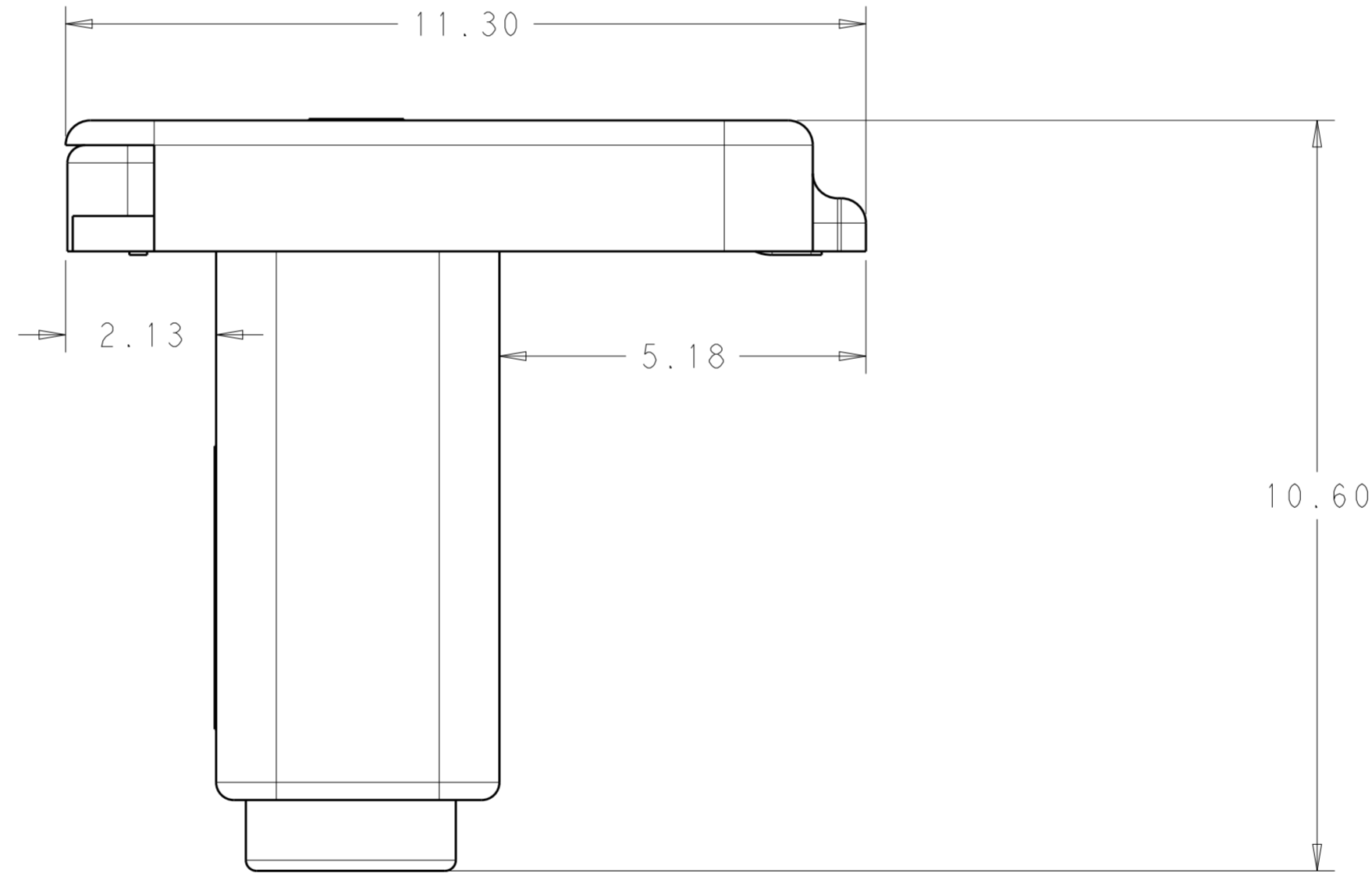
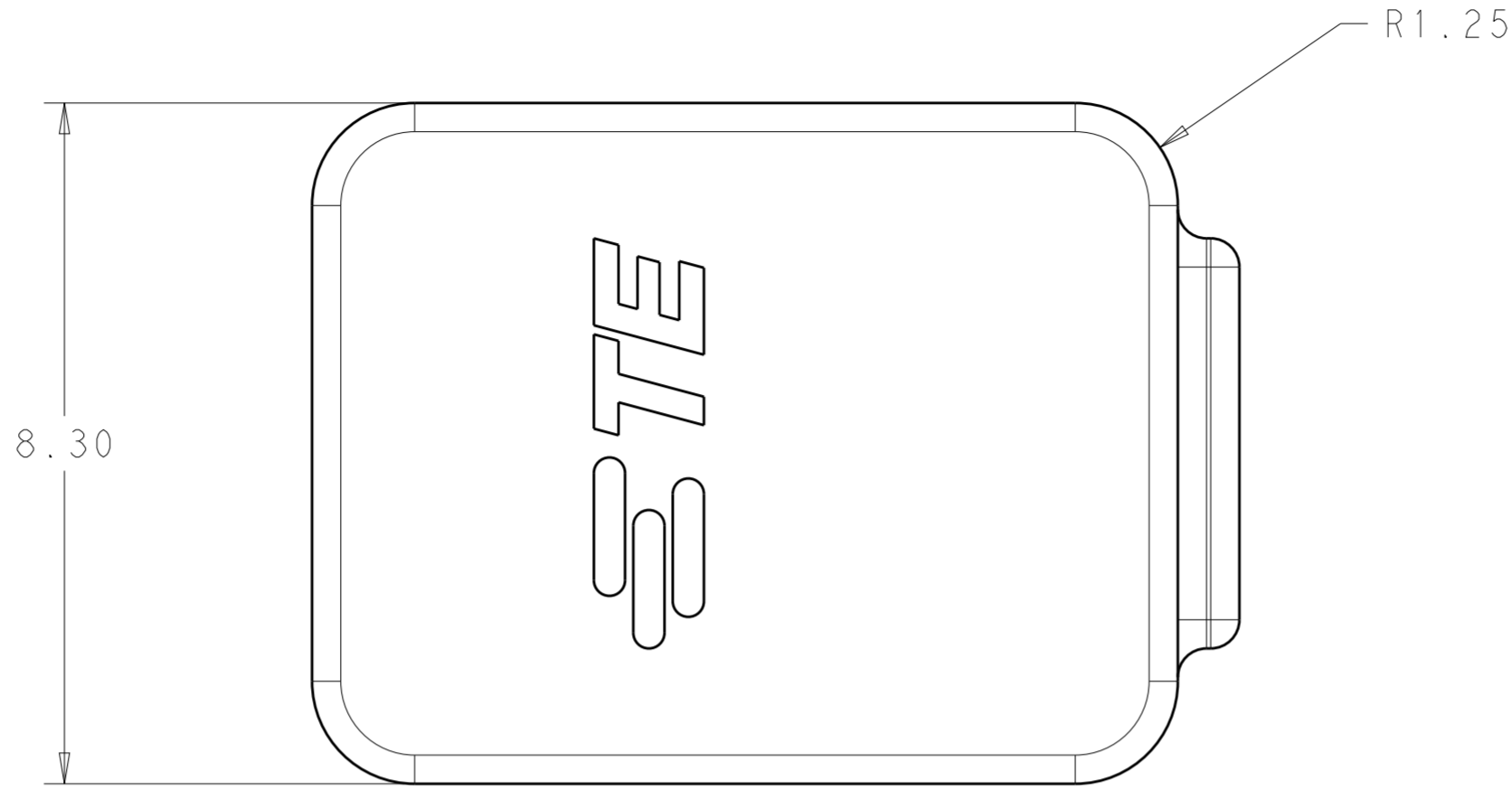
THIS DRAWING IS A CONTROLLED DOCUMENT.

DIMENSIONS: mm	TOLERANCES UNLESS OTHERWISE SPECIFIED: 0 PLC ± 1 PLC ±0.2 2 PLC ±0.15 3 PLC ± 4 PLC ± ANGLES ±2° FINISH	DWN C. DAILY 25OCT2012 CHK C. GINGRICH 25OCT2012 APVD - PRODUCT SPEC 108-32040 APPLICATION SPEC 114-32054 WEIGHT - Customer Drawing	NAME - ASSEMBLY, POKE-IN INVERTED THROUGH BOARD SIZE A2 CAGE CODE 00779 DRAWING NO. C-2213189 RESTRICTED TO - SCALE 6:1 SHEET 1 OF 4 REV 8
-------------------	--	---	--

PRELIMINARY STE TE Connectivity

THIS DRAWING IS UNPUBLISHED. RELEASED FOR PUBLICATION 20
 © COPYRIGHT 20 BY - ALL RIGHTS RESERVED.

LOC		DIST		REVISIONS			
P	LTR	DESCRIPTION	DATE	DWN	APVD		
-	-	SEE SHEET 1	-	-	-		



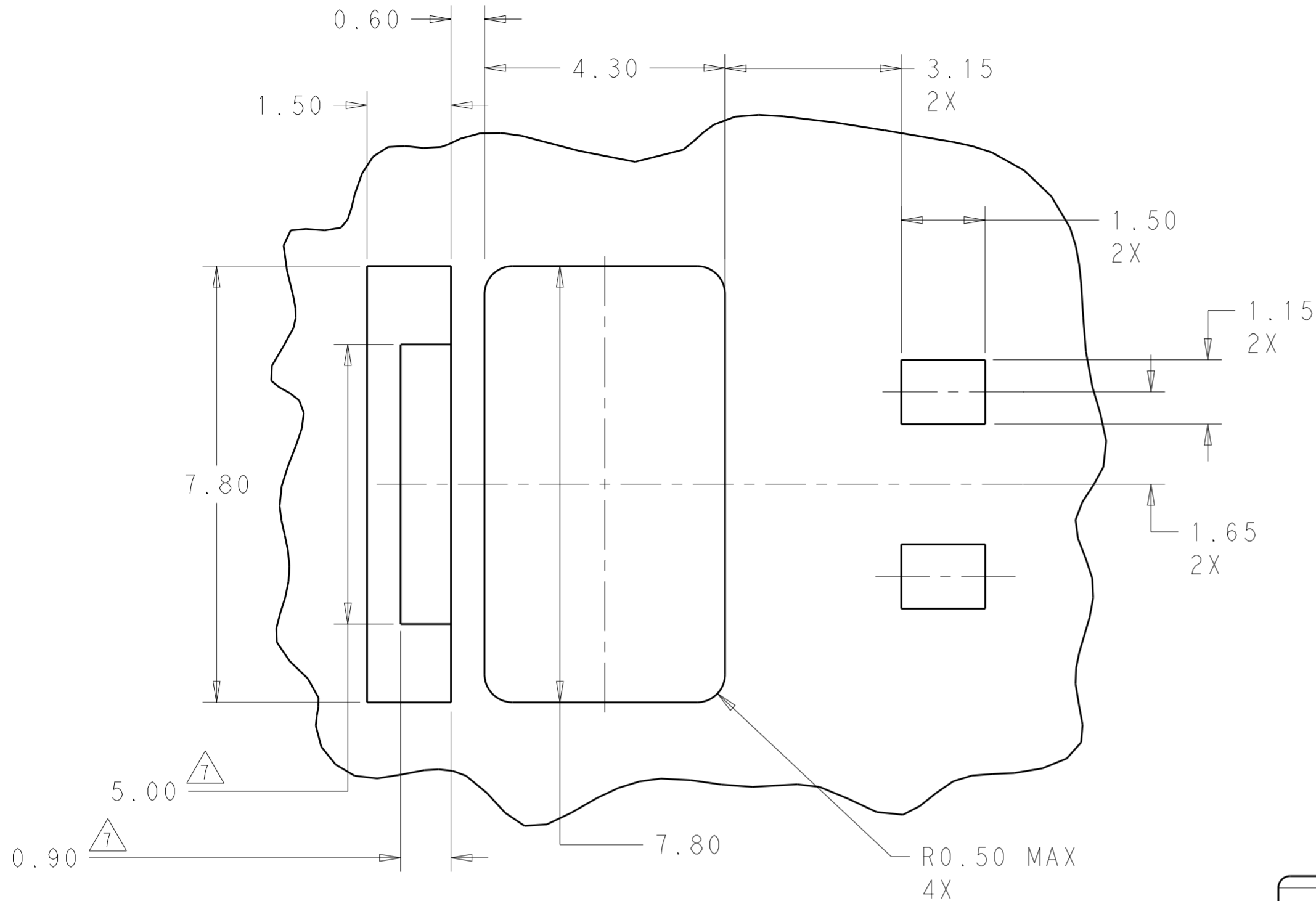
2213189-3, -4

THIS PRINT IS
PRELIMINARY
 UNQUALIFIED PRODUCT
 CONTACT PRODUCT ENGINEERING
 BEFORE USING THIS PRINT

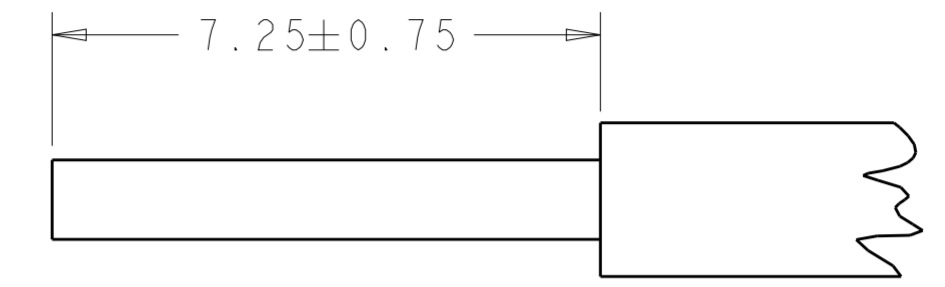
THIS DRAWING IS A CONTROLLED DOCUMENT.		DWN C. DAILY 25OCT2012	STC TE Connectivity	
DIMENSIONS: mm		CHK C. GINGRICH 25OCT2012		
TOLERANCES UNLESS OTHERWISE SPECIFIED:		APVD -	NAME ASSEMBLY, POKE-IN INVERTED THROUGH BOARD	
0 PLC ±	1 PLC ±0.2	PRODUCT SPEC 108-32040	SIZE A200779	
2 PLC ±0.15	3 PLC ±	APPLICATION SPEC 114-32054	CAGE CODE C-2213189	DRAWING NO -
4 PLC ±	ANGLES ±2A*	WEIGHT -	RESTRICTED TO -	
FINISH	-	Customer Drawing	SCALE 6:1	SHEET 2 OF 4
				REV 8

THIS DRAWING IS UNPUBLISHED. RELEASED FOR PUBLICATION 20
 © COPYRIGHT 20 BY - ALL RIGHTS RESERVED.

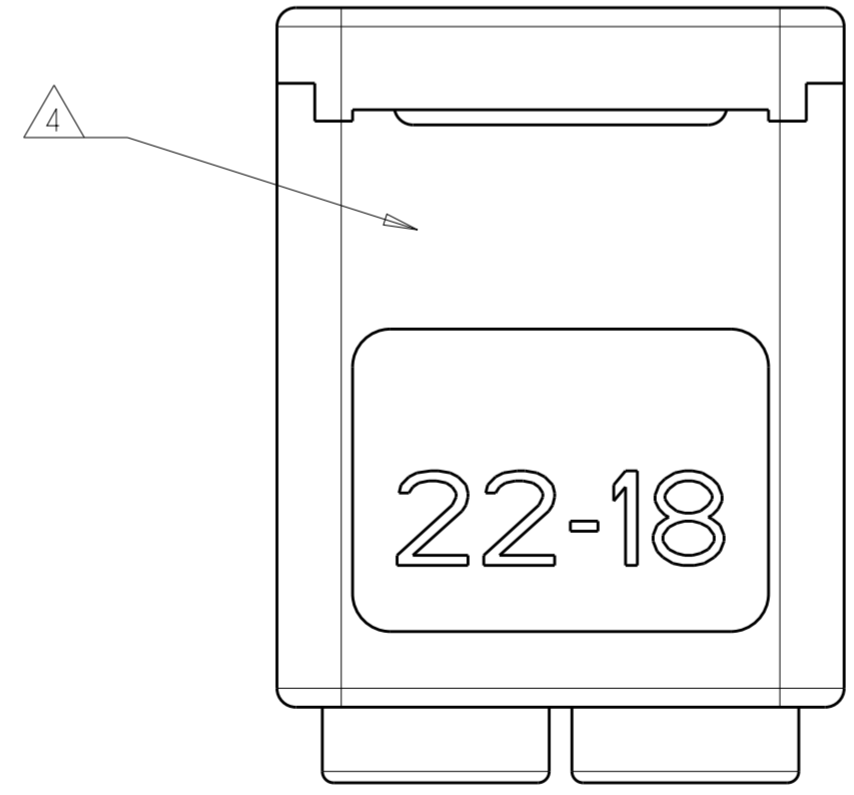
LOC		DIST		REVISIONS			
P	LTR	DESCRIPTION	DATE	DWN	APVD		
-	-	SEE SHEET 1	-	-	-		



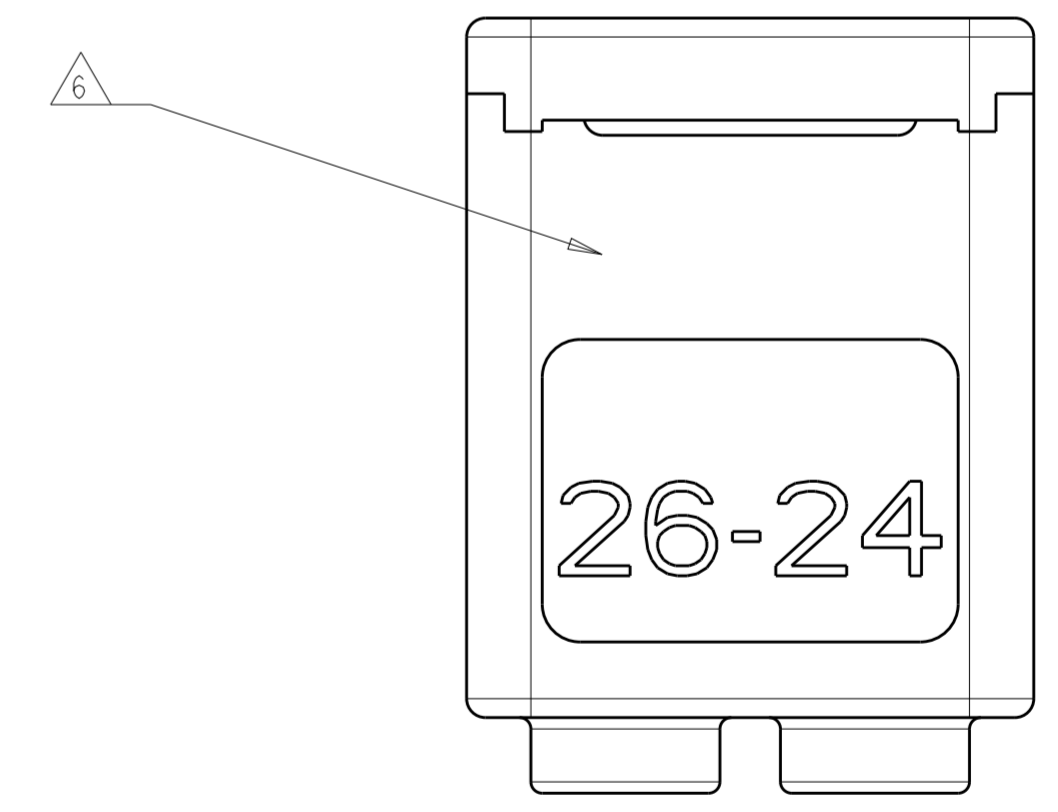
MOUNTING PCB LAYOUT
SCALE 12:1



WIRE PREPARATION DETAIL
SCALE 10:1



2213189-1, -3
SCALE 10:1



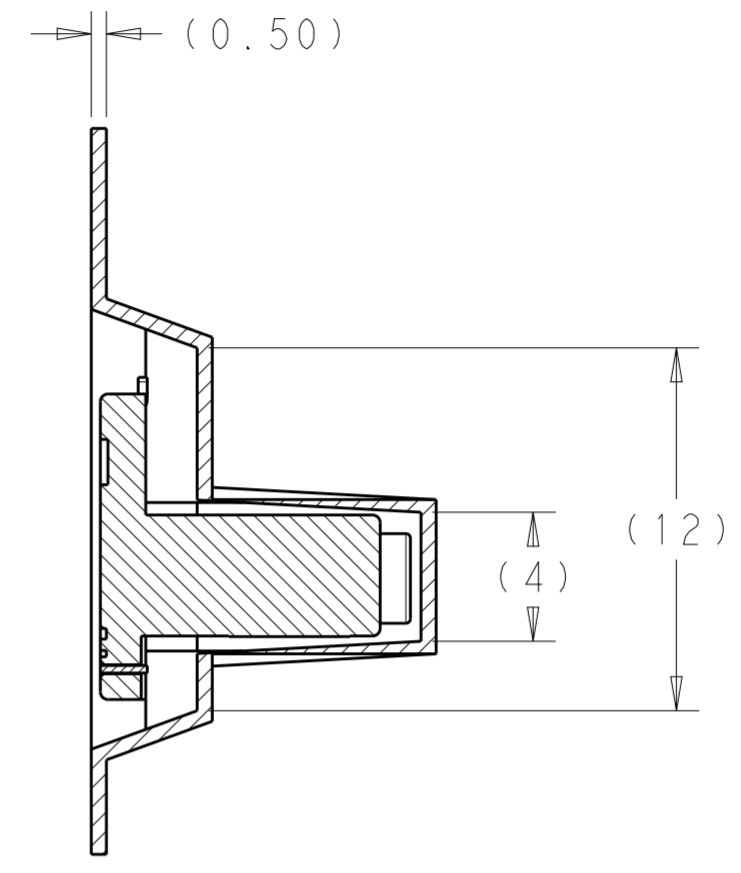
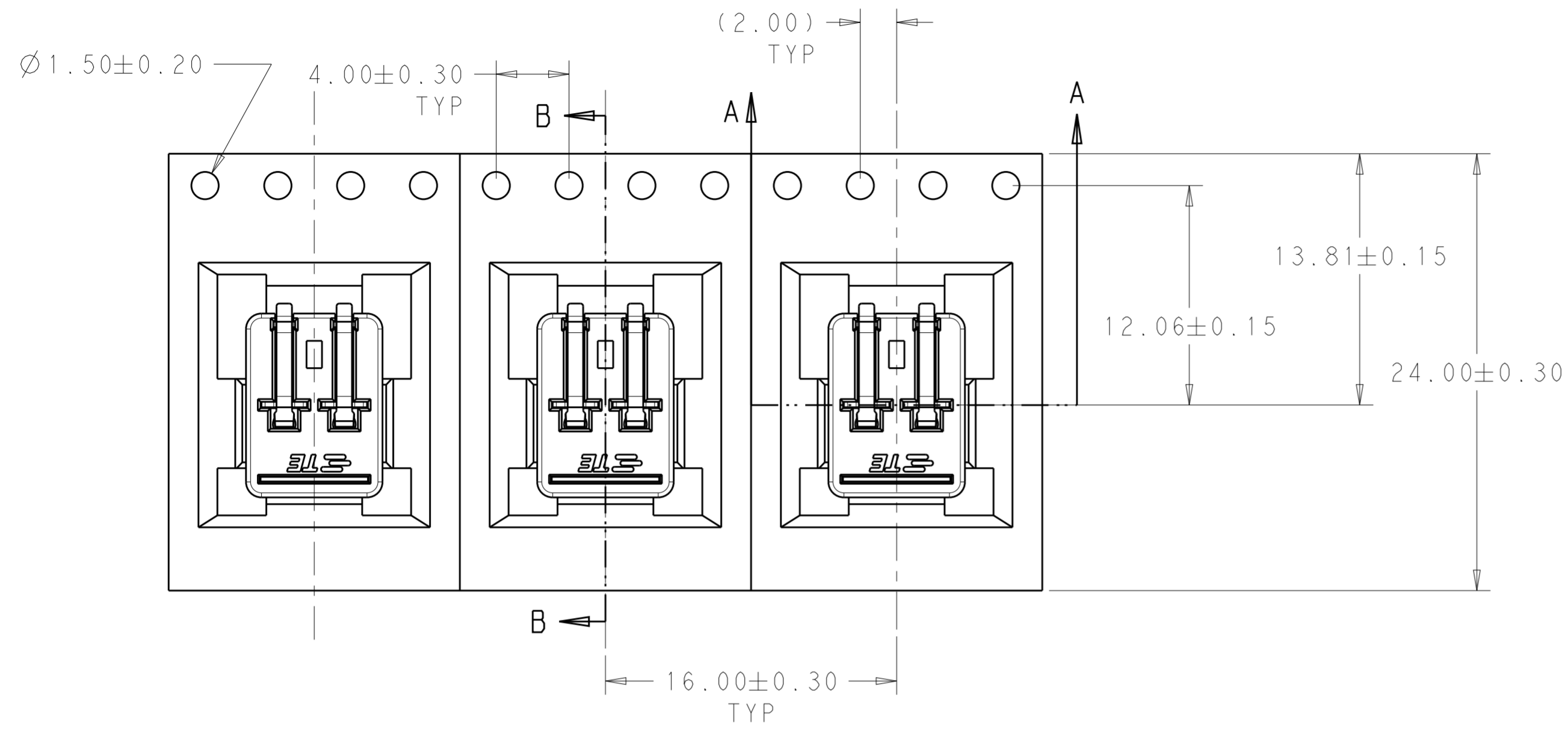
2213189-2, -4
SCALE 10:1

THIS PRINT IS
PRELIMINARY
UNQUALIFIED PRODUCT
CONTACT PRODUCT ENGINEERING
BEFORE USING THIS PRINT

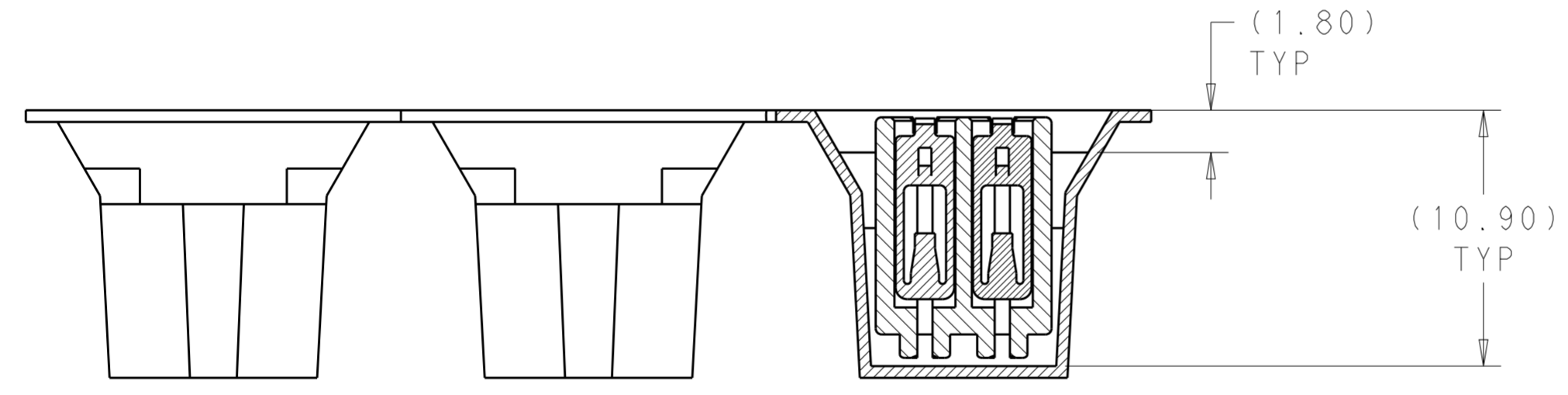
THIS DRAWING IS A CONTROLLED DOCUMENT.		DWN C. DAILY 25OCT2012	STE TE Connectivity	
DIMENSIONS: mm		CHK C. GINGRICH 25OCT2012		
TOLERANCES UNLESS OTHERWISE SPECIFIED:		APVD -	NAME ASSEMBLY, POKE-IN INVERTED THROUGH BOARD	
0 PLC ±	1 PLC ±0.2	PRODUCT SPEC 108-32040	SIZE A2	CAGE CODE 00779
2 PLC ±0.15	3 PLC ±	APPLICATION SPEC 114-32054	DRAWING NO C-2213189	RESTRICTED TO -
4 PLC ±	ANGLES ±2A°	WEIGHT -	SCALE 6:1	SHEET 3 OF 4
MATERIAL -		Customer Drawing	REV 8	

THIS DRAWING IS UNPUBLISHED. RELEASED FOR PUBLICATION 20
 © COPYRIGHT 20 BY - ALL RIGHTS RESERVED.

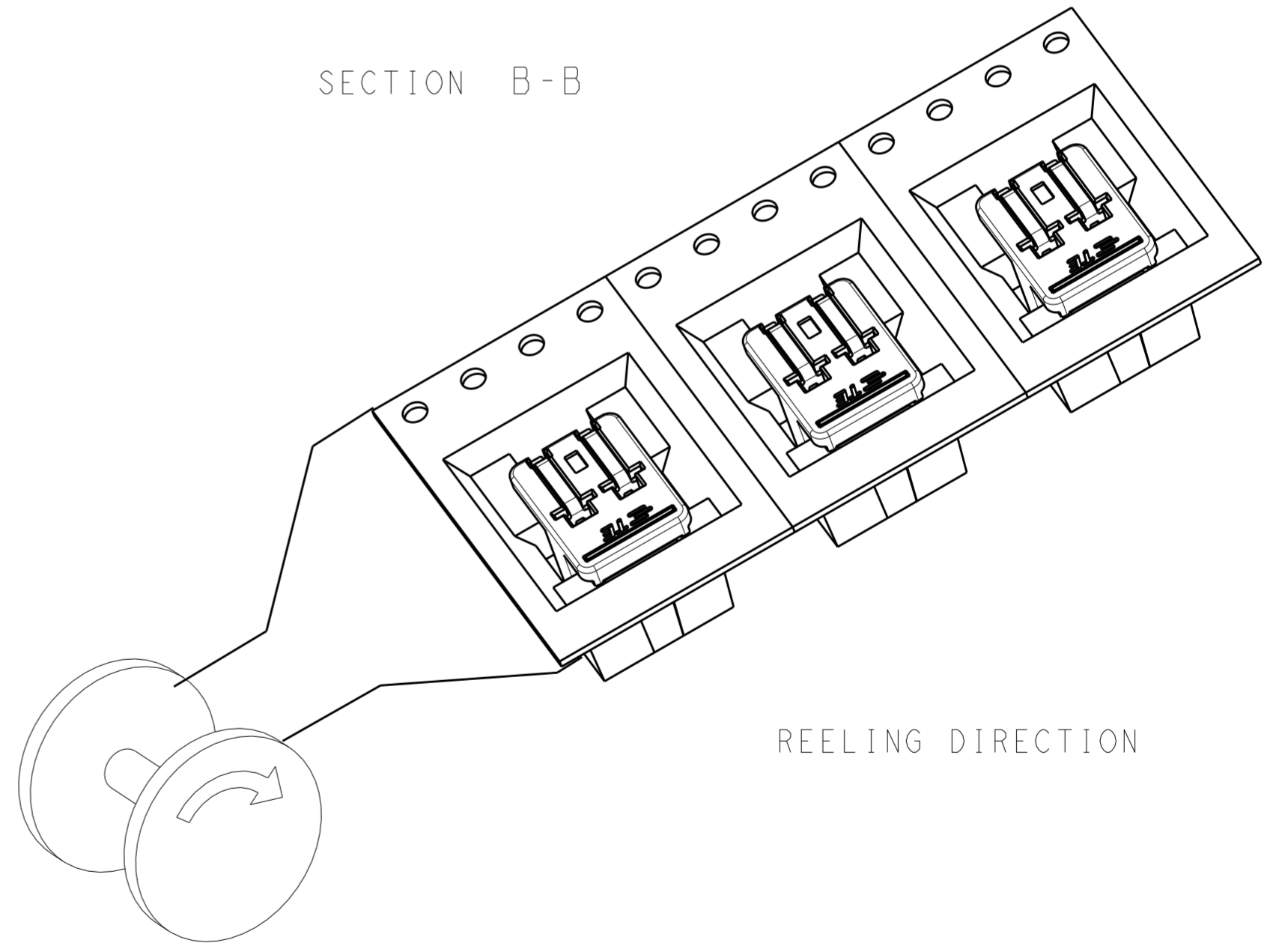
LOC		DIST		REVISIONS			
P	LTR	DESCRIPTION	DATE	DWN	APVD		
-	-	SEE SHEET 1	-	-	-		



SECTION B-B



SECTION A-A



REELING DIRECTION

PACKAGING FOR 2213189-1 SHOWN

THIS PRINT IS
PRELIMINARY
 UNQUALIFIED PRODUCT
 CONTACT PRODUCT ENGINEERING
 BEFORE USING THIS PRINT

THIS DRAWING IS A CONTROLLED DOCUMENT.		DWN C. DAILY 25OCT2012	TE Connectivity	
DIMENSIONS: mm		CHK C. GINGRICH 25OCT2012		
TOLERANCES UNLESS OTHERWISE SPECIFIED:		APVD -	NAME ASSEMBLY, POKE-IN INVERTED THROUGH BOARD	
0 PLC ±	±0.2	PRODUCT SPEC 108-32040	SIZE A200779	
1 PLC ±	±0.15	APPLICATION SPEC 114-32054	CAGE CODE C-2213189	DRAWING NO -
2 PLC ±	±	WEIGHT -	RESTRICTED TO -	SCALE 6:1
3 PLC ±	±2A*	Customer Drawing	SHEET 4	OF 4
4 PLC ±			REV 8	