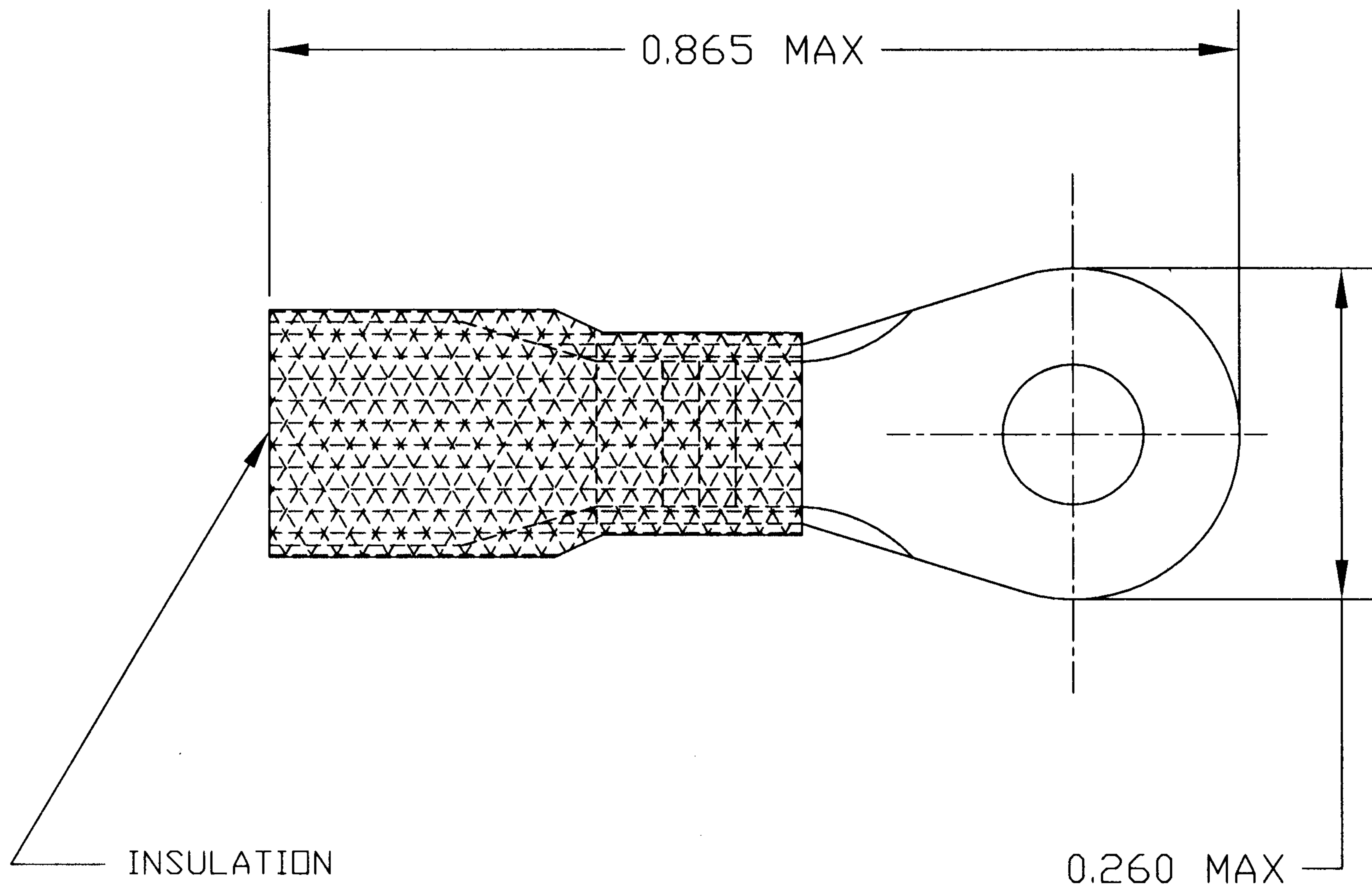


DATA	SYM	REVISION RECORD	AUTH	DR	DK
11/02/09	-			DS	40



MATERIAL: TERMINAL-COPPER, TIN PLATED  
 SLEEVE-BRASS, TIN PLATED  
 INSULATION-NYLON, RED COLOR  
 WIRE RANGE-22-18  
 STUD SIZE-6

TOLERANCES (EXCEPT AS NOTED)	CONCORD		ELECTRONICS INC
DECIMAL + -	P/N	SCALE	33-30 47th AVE LONG ISLAND CITY, NY 11101
FRACTIONAL + -	TITLE RING TONGUE TERMINAL		
ANGULAR + -	DATE 11/02/09	DRAWING NUMBER 701-1901	