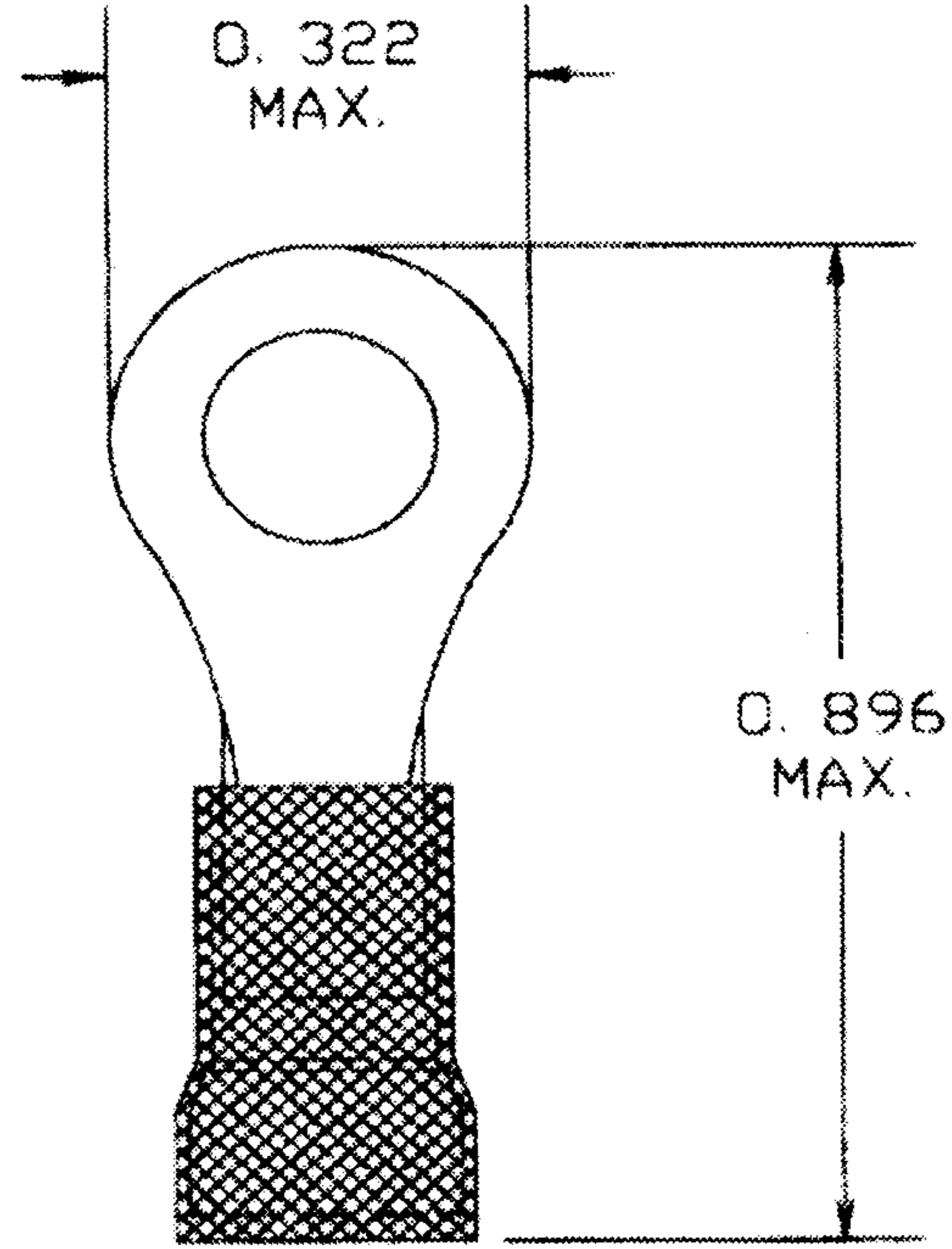


DATE	SYM	REVISION RECORD	AUTH	DR	CK
6/11/98	-	ISSUED		NT	MM
112/9/11	A	ADD PLATING		DS	4ll



MATERIAL: TERMINAL - COPPER, TIN PLATED
SLEEVE - BRASS, TIN PLATED
INSULATION- NYLON, RED COLOR

STUD SIZE: 8
WIRE RANGE: 22-18

NOTE: Unless otherwise specified, dimensions are in inches.

This drawing is the property of and contains information proprietary to CONCORD ELECTRONICS INC. Its use is authorized only for responding to a request for quotation or for the performance of work in accordance with a purchase order issued by CONCORD ELECTRONICS INC. Any reproduction, disclosure, or other use of this drawing is expressly prohibited unless agreed to in writing by management of CONCORD ELECTRONICS INC.

TOLERANCE (EXCEPT AS NOTED)	CONCORD ELECTRONICS INC		
DECIMAL:	P/N	SCALE:	33-00 47th Ave Long Island City, NY 11101
FRACTIONAL:	RING TONGUE TERMINAL		
ANGULAR:	DATE: 12/9/2011	DRAWING NUMBER 701-1947	