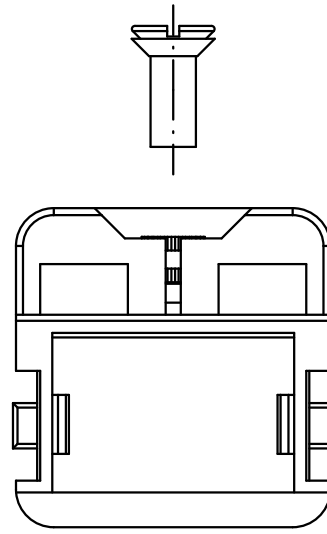
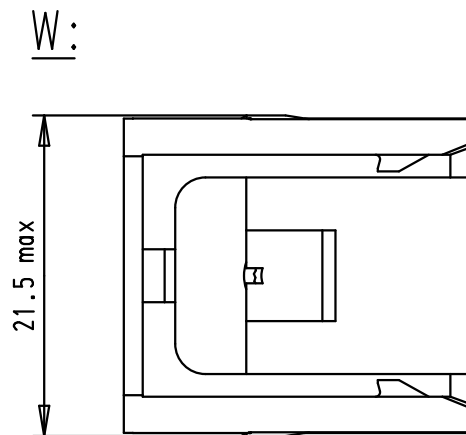
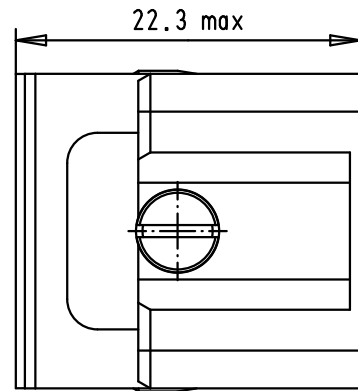
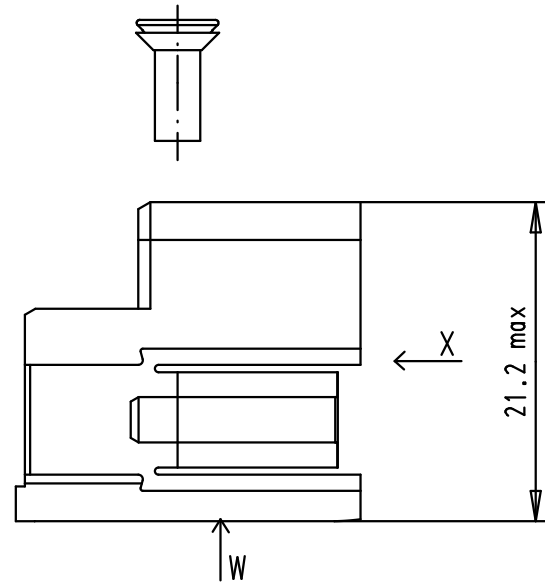
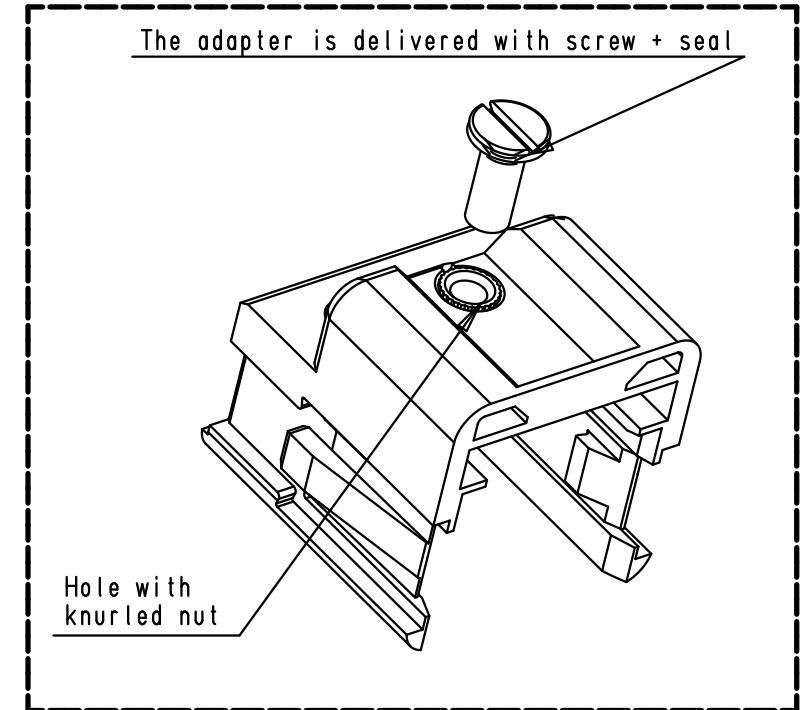
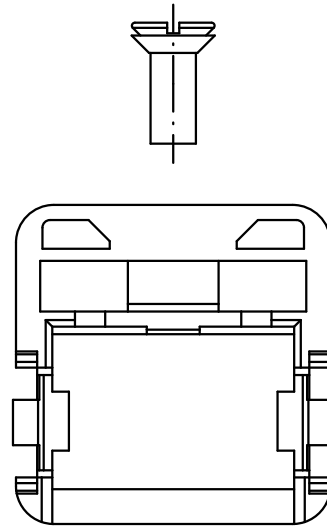


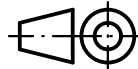

Alle Rechte vorbehalten. All rights reserved



X:



Screw screwing torque: 0.5 N.m

			Det.	Name	 HAN03A receptacle housing adapter for HIFF inserts including fixing screw	Maßstab/ Scale 2:1
			Detail.	27/07/10 AB		
			Insp.			
			Stand.		All Dim. in mm Orig. Size DIN A3	
36238	15/11/10	AB	HARTING EURL F-95972 Paris		 TB 09 45 515 0024	Blatt/ Page 1 / 1
36087	27/07/10	AB				
Mod.	Det.	Name			Sub.	