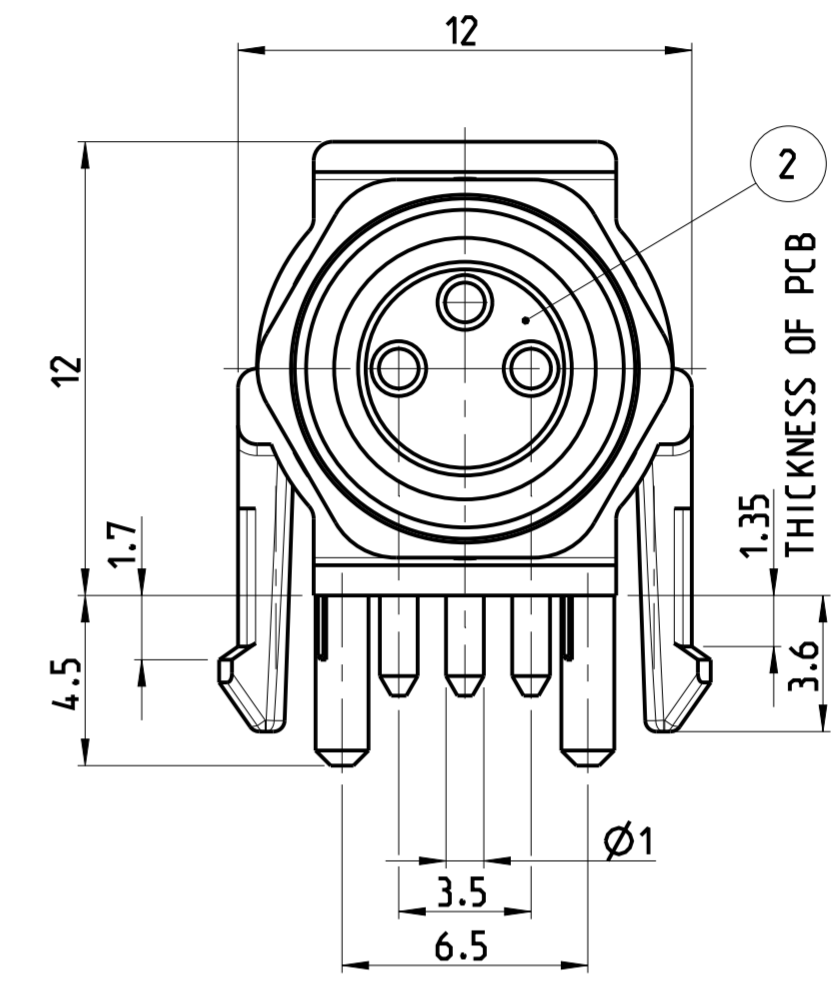
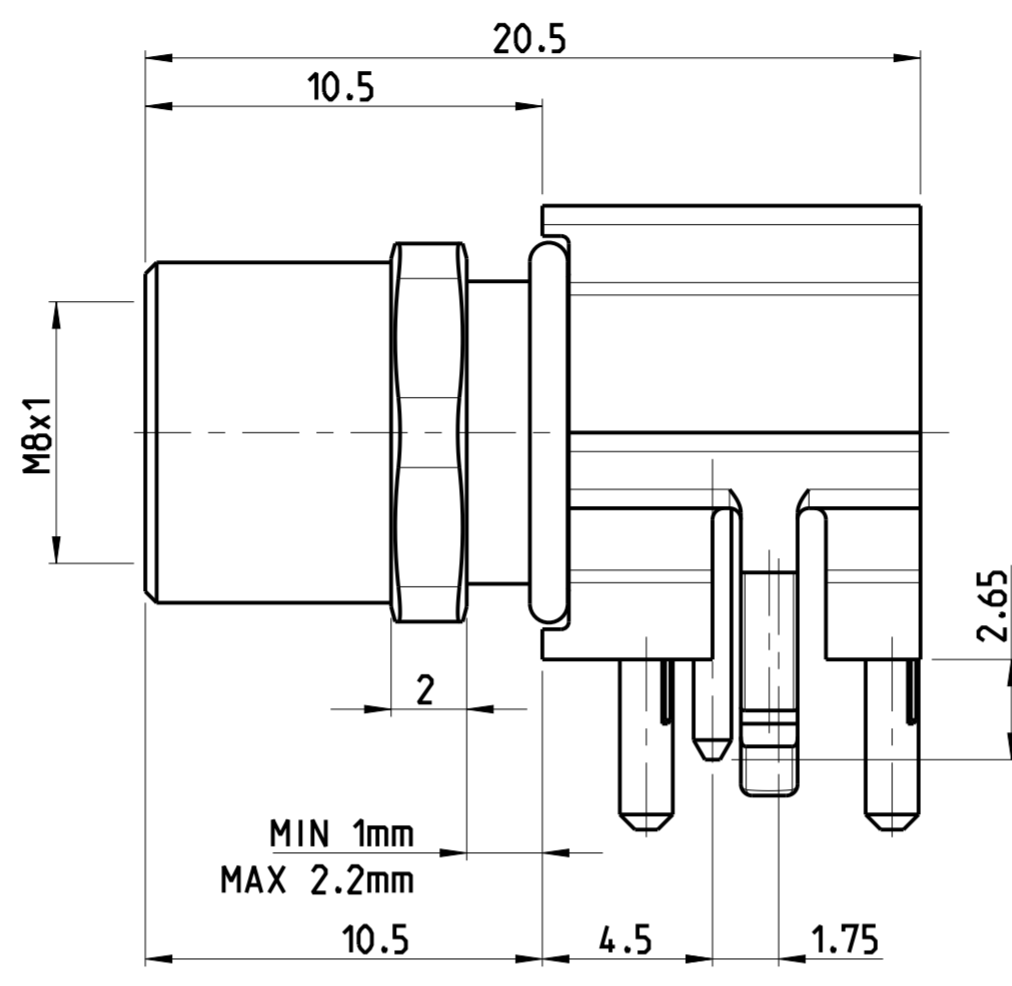


THIS DRAWING IS UNPUBLISHED. VERTRÄGLICHE UNVERPFLICHTETE ZEICHNUNG. RELEASED FOR PUBLICATION FREI FÜR VERÖFFENTLICHUNG. 2014. DATED WITH PASSEND ZU. COPYRIGHT 2014. Tyco Electronics AMP GmbH. ALL RIGHTS RESERVED. ALLE RECHTE VORBEHALTEN.

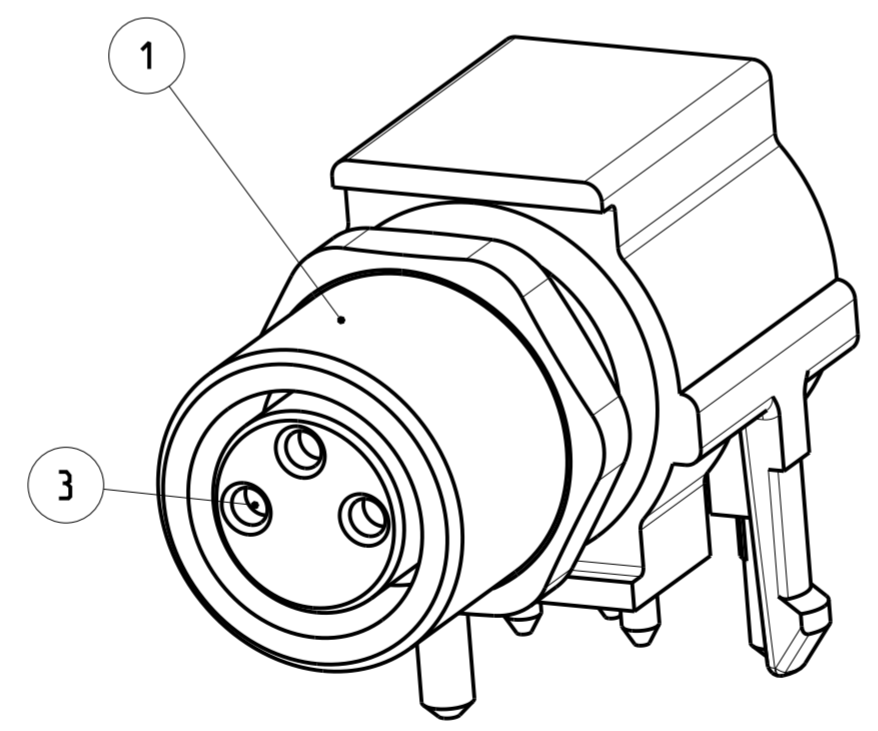
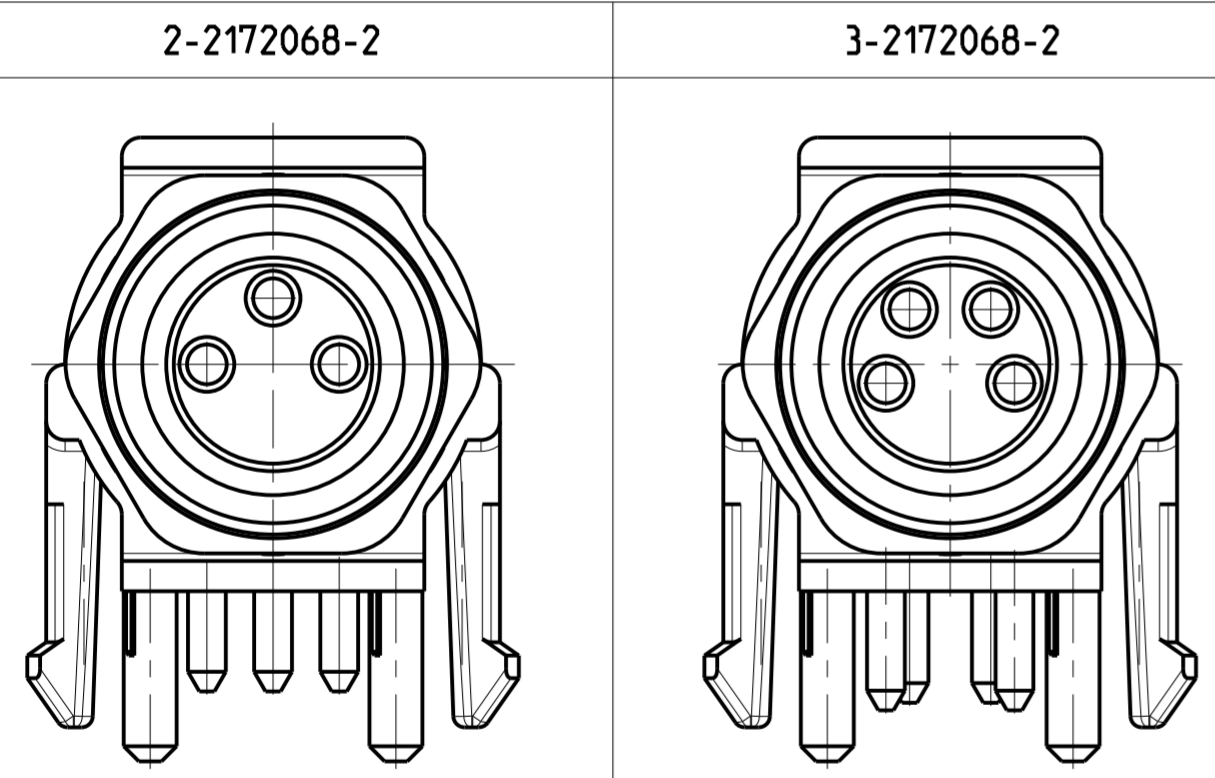
PROJECT NO.: PRJ-11-000004377

P	LTR	REVISIONS ÄNDERUNGEN DESCRIPTION BESCHREIBUNG	DATE	DWH	APVD
	A	NEW RELEASE	04DEC2014	TJ	PS

TECHNICAL DATA	2-2172068-2	3-2172068-2
RATED VOLTAGE	60V	30V
RATED IMPULSE VOLTAGE	800V	800V
POLLUTION DEGREE	3	3
OVERVOLTAGE CATEGORY	II	II
MATERIAL GROUP	II	II
RATED CURRENT	4A	4A
VOLUME RESISTIVITY	≤ 3mΩ	≤ 3mΩ
DEGREE OF PROTECTION	IP67	IP67
UPPER TEMPERATURE	+85 °C	+85 °C
LOWER TEMPERATURE	-40 °C	+40 °C



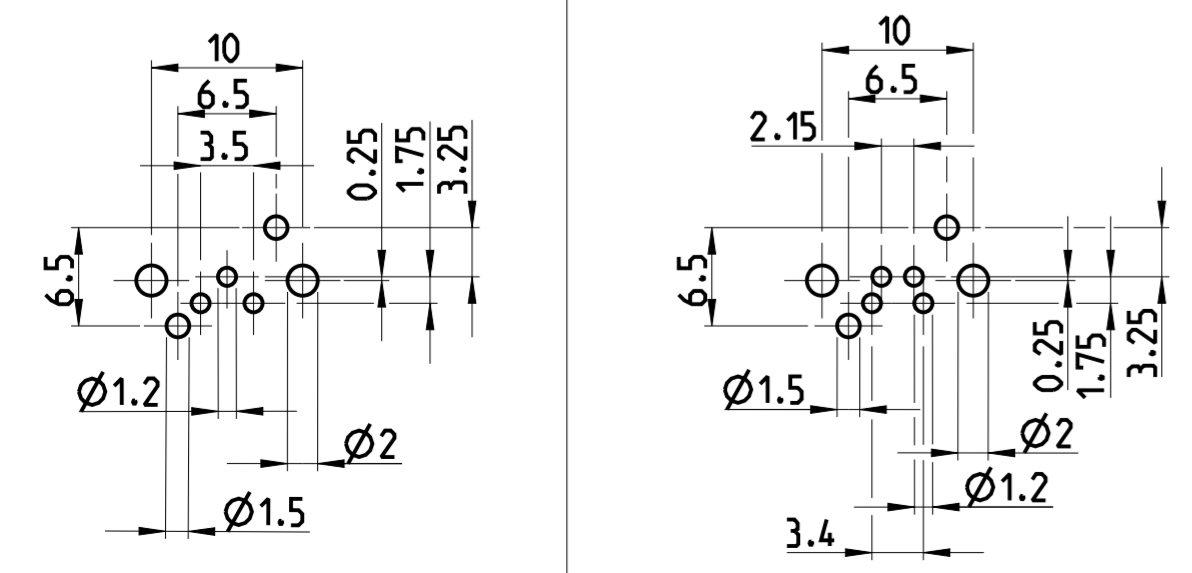
PIN ARRANGEMENT



NOTES:

- ⚠ MATERIAL: ITEM NO. 1: HOUSING - CuZn (BRASS NICKEL PLATED)
  - ITEM NO. 2: CONTACT BODY - PA
  - ITEM NO. 3: CONTACT - CuSn (BRONZE)
  - CONTACT FINISH - Au (GOLD)
- 2 ALL DIMENSIONS ARE FOR NOMINAL REFERENCE ONLY UNLESS OTHERWISE STATED

CONDUCTOR LAYOUT



SIZE ISO 14405 (E)

DIESE ZEICHNUNG IST EIN KONTROLLIERTES DOKUMENT. BEMASSUNGEN UND TOLERANZEN GEMAESS GPS (ISO STANDARDS).		DWH YASHKUMAR 25 JUL 2014	
THIS DRAWING IS A CONTROLLED DOCUMENT. DIMENSIONING AND TOLERANCING PER GPS (ISO STANDARDS).		CHK M. BRUBAKER 25 JUL 2014	
DIMENSIONS: MASSEINHEIT: (MM)		APVD M. BRUBAKER 25 JUL 2014	
TOLERANCES UNLESS OTHERWISE SPECIFIED: ALLGEMEINTOLERANZEN		NAME M12 RECEPTACLE, FEMALE, PCB MOUNT, ANGLED	
0 PLC ±		PRODUCT SPEC 108-19483	
1 PLC ±		APPLICATION SPEC 114-32127	
2 PLC ±		WEIGHT -	
3 PLC ±		Customer Drawing	
4 PLC ±		/KUNDENZEICHNUNG	
ANGLES/WINKEL ±		SCALE MASSSTAB 2:1	
FINISH/OBERFLÄCHE/FARBE		SHEET 1 OF 1	
MATERIAL		REV A	
SEE NOTES		RESTRICTED TO MUR FUER -	

⚠	4	3-2172068-2
⚠	3	2-2172068-2
MATERIAL	NUMBER OF POLES	TE-PART-NO.



SIZE A2	CAGE CODE 00779	DRAWING NO. C-2172068	RESTRICTED TO MUR FUER -
Customer Drawing			REV A