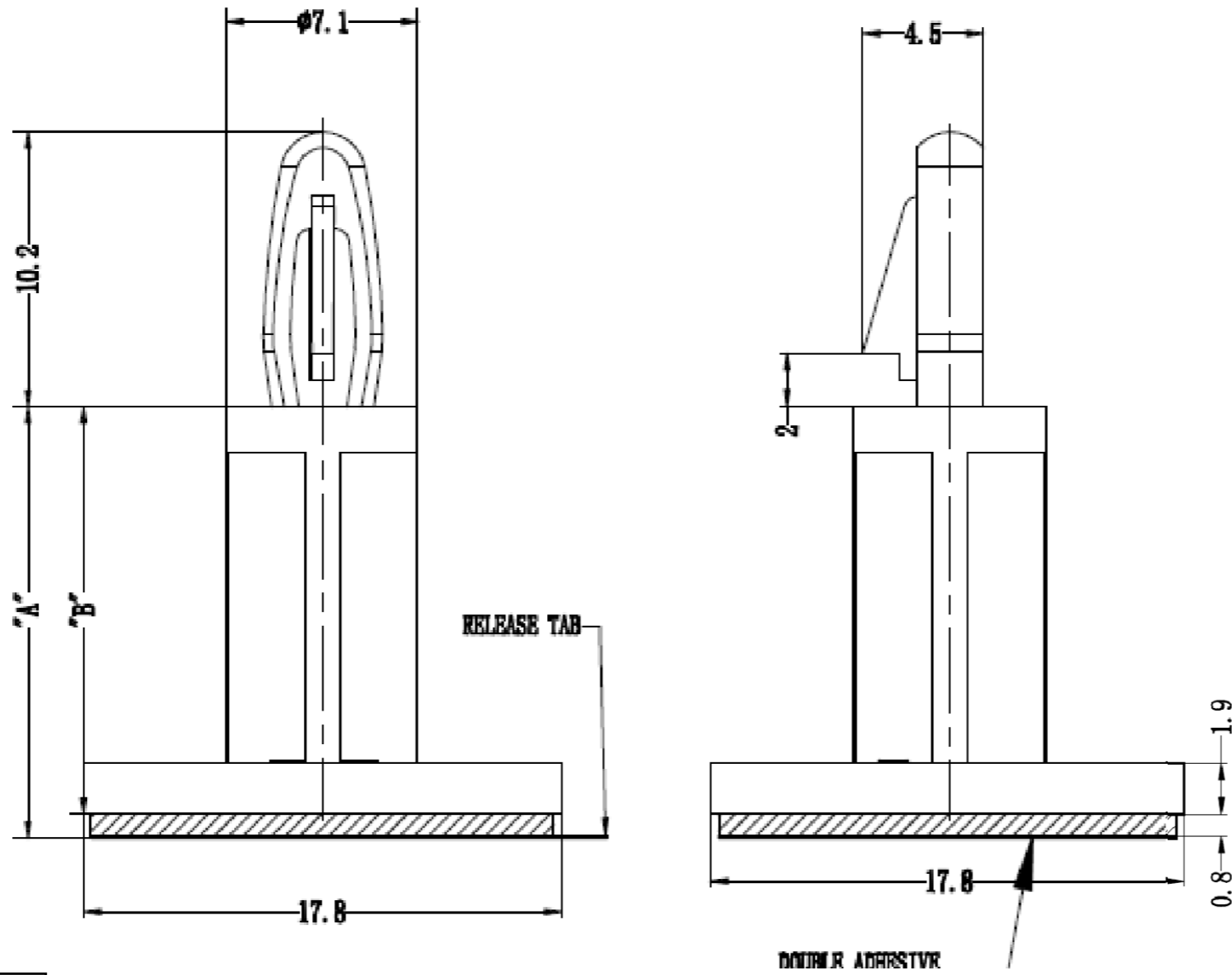


DEBUR AND BREAK SHARP EDGES

DO NOT SCALE DRAWING

REVISION



PART No.	"A"
TRLCBSB-3-01A	4.8
TRLCBSB-4-01A	4.8
TRLCBSB-6-01A	9.5
TRLCBSB-8-01A	12.7
TRLCBSB-12-01A	19.1

C	2 PT.NO'S ADDED M.E. 29/07/14
B	Pt. No.TABLE ADDED M.E. 27/06/14
A	DRAWN 18/06/14

NOTES

- 1, MATERIAL: NYLON 66 UL-94V2;
- 2, COLOR: NATURAL;
- 3, ROHS Compliant;
- 4, Hole: Snap-lock:  $\phi 4.0$ ;  
Panel Thickness: 1.6mm.



DESIGN RIGHT. TR FASTENINGS LTD, 2003  
UNDER NO CIRCUMSTANCES MUST THIS  
DRAWING BE COPIED OR DISCLOSED,  
WITHOUT FIRST OBTAINING WRITTEN  
AUTHORITY.

UNLESS OTHERWISE SPECIFIED:  
DIMENSIONS ARE IN MILLIMETERS  
SURFACE FINISH:  
TOLERANCES:

ISO 2768 m

NAME	DATE
DRAWN MARTIN ELLIOTT	18/06/14
CHK'D	
APPV'D	

CUSTOMER PART No

MATERIAL:

SEE NOTE

HEAT TREATMENT

N/A

FINISH:

N/A

TITLE:

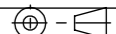
CIRCUIT BOARD SUPPORT BASE

DWG NO.

TRLCBSB-XX-01A

A3

PROJECTION



SHEET 1 OF 1