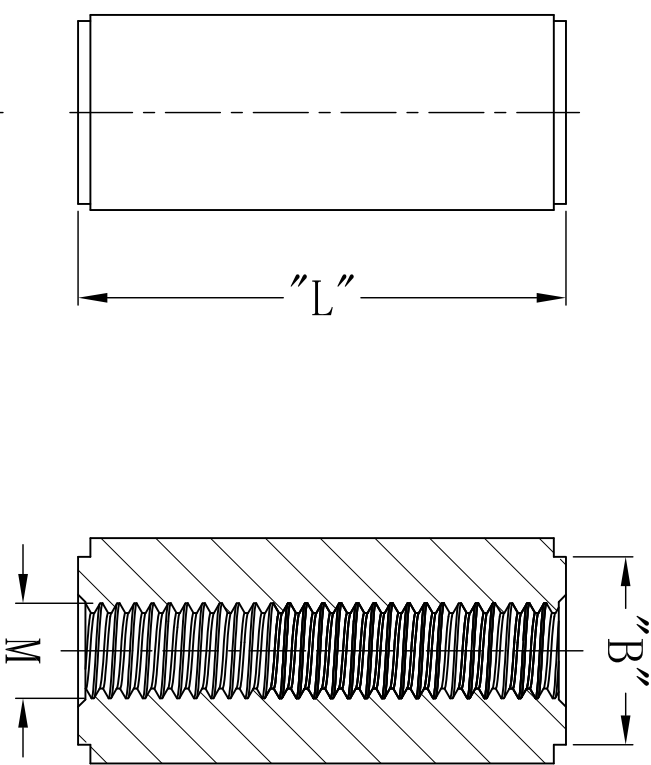


DO NOT SCALE DRAWING

REVISIONS				
ZONE	REV.	DESCRIPTION	DATE	APPROVED
A		DRAWN	08-09-2013	



Part Name	"B"	"C"	"L"	M
FAHNSGFFM3-5-6			5	M
FAHNSGFFM3-10-6			10	
FAHNSGFFM3-12-6	5.85	6	12	M3
FAHNSGFFM3-15-6			15	
FAHNSGFFM3-20-6			20	M4
FAHNSGFFM4-10-8			10	
FAHNSGFFM4-12-8			12	M4
FAHNSGFFM4-15-8	7.8	8	15	
FAHNSGFFM4-20-8			20	M6
FAHNSGFFM6-10-10			10	
FAHNSGFFM6-12-10			12	M6
FAHNSGFFM6-15-10	9.7	10	15	
FAHNSGFFM6-20-10			20	

NOTES



DESIGN RIGHT. TR FASTENINGS LTD. 2003  
 UNDER NO CIRCUMSTANCES MUST THIS  
 DRAWING BE COPIED OR DISCLOSED,  
 WITHOUT FIRST OBTAINING WRITTEN  
 AUTHORITY.

UNLESS OTHERWISE SPECIFIED:  
 DIMENSIONS ARE IN MILLIMETERS.  
 SURFACE FINISH:  
 TOLERANCES:  
 15<L<50 = ±0.3 50<L<100 = ±0.4  
 154 = ±0.1 4<L<15 = ±0.2

NAME	DATE
DRAWN	08/09/2013
CHKD	MARIN ELLIOTT
APPR'D	

MATERIAL  
 PA6 with 30% GLASS FILLED UL94HB  
 ROHS COMPLIANT

HEAT TREATMENT  
 N/A

TITLE  
 HEX Threaded Standoff

CUSTOMER PART NO.

FINISH  
 Black

DWG NO.  
 FAHNSGFFM#-XX-XX

A3