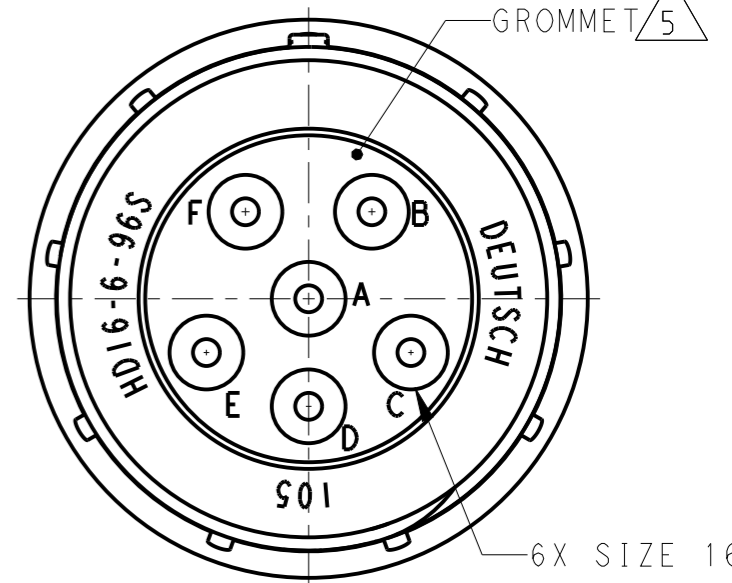
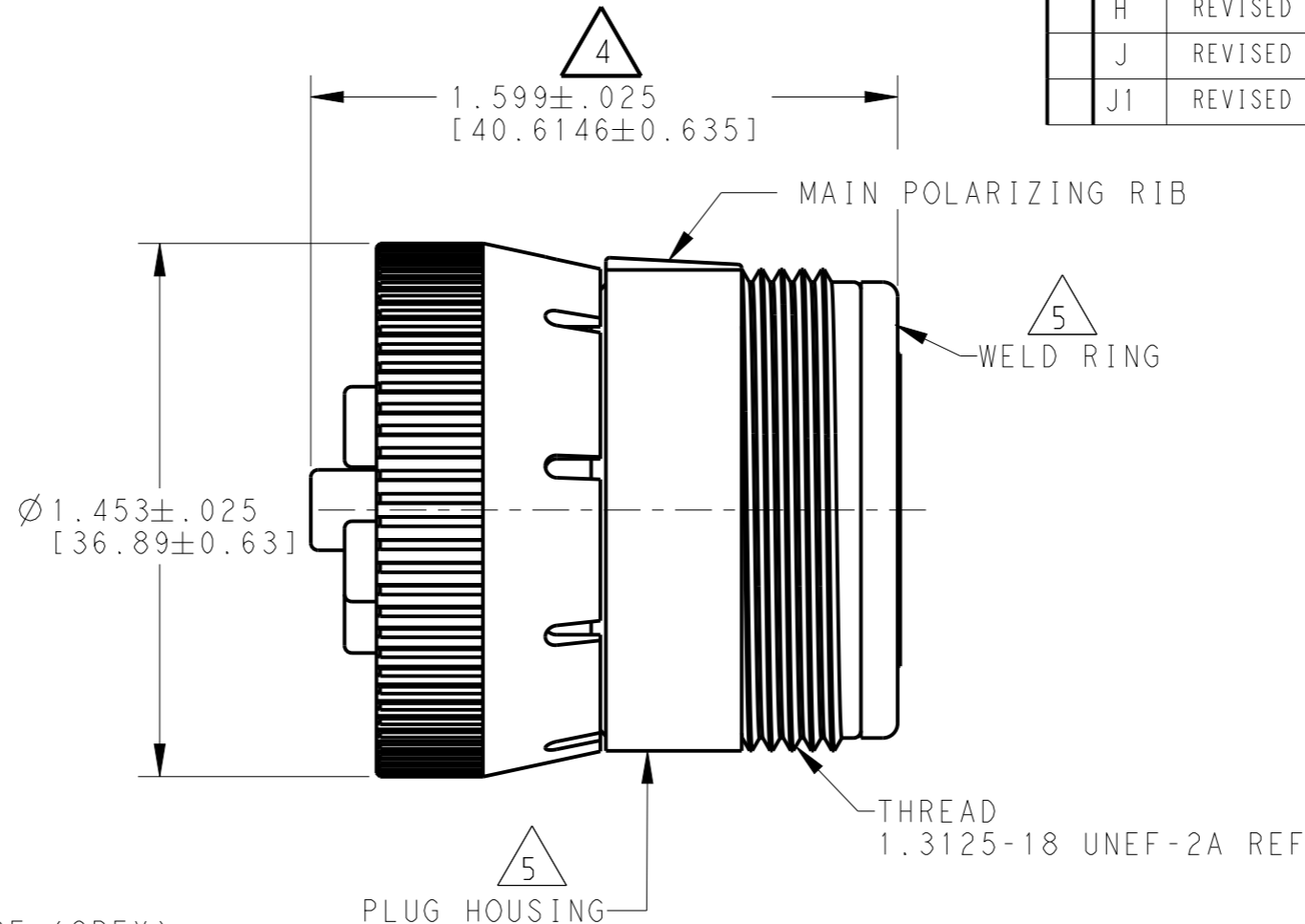
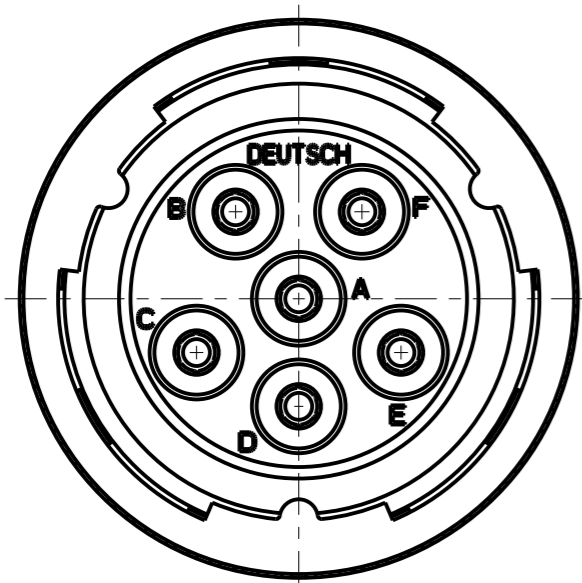


THIS DRAWING IS UNPUBLISHED. RELEASED FOR PUBLICATION 2013. ALL RIGHTS RESERVED. © COPYRIGHT 2013 BY TE CONNECTIVITY.

LOC	DIST	REVISIONS			
P	LTR	DESCRIPTION	DATE	DWN	APVD
-	-	G	REVISED PER E.O. P17741	27DEC2002	- RDR
		H	REVISED PER E.O. P21133	29SEP2011	- RDR
		J	REVISED PER E.O. P21366	4JUN2012	- RDR
		J1	REVISED PER ECO-14-002953	29JAN2014	PV DM

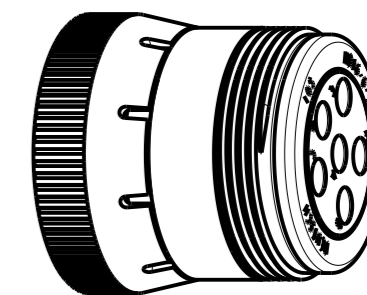


- 5 MATERIAL: PLUG HOUSING AND WELD RING: PA 15%GF (GREY) GROMMET: SILICONE (RED)
- 4 OVERALL DIMENSION DOES NOT INCLUDE RUBBER GROMMET.
- 3. THIS PLUG MATES WITH RECEPTACLE (X= SEAL TYPE, XXXX= ALL MODIFICATIONS). HD10-6-96PX-XXXX HD14-6-96PX-XXXX
- 2 SEE DRAWING 0425-015-0000 FOR CONTACT AND WIRE PERFORMANCE AND APPLICATION CHARACTERISTICS.

1. SEE TABLE FOR USABLE WIRE RANGE AND INSUALTION RANGE

CONTACT SIZE	MINIMUM O.D.	MAXIMUM O.D.	WIRE RANGE [mm ²]
16	.100 [2.54]	.150 [3.81]	14-20 AWG [2.0-.50]

NOTES:



3D VIEW

THIS DRAWING IS A CONTROLLED DOCUMENT.		DWN R. OCHOA 11SEP1998		
DIMENSIONS: INCHES [mm]		CHK I. GRANTCHAROVA 18SEP2013		
TOLERANCES UNLESS OTHERWISE SPECIFIED:		APVD D. MEYER 19SEP2013	NAME PLUG, CONNECTOR HD10 SERIES ARR. 6-96 COLOR: GREY	
0 PLC ±		PRODUCT SPEC -	SIZE A3	
1 PLC ±		APPLICATION SPEC -	CAGE CODE 00779	DRAWING NO. HD16-6-96S
2 PLC ±		WEIGHT 32.25 (g)	RESTRICTED TO -	
3 PLC ±.025		Customer Drawing	SCALE 2:1	SHEET 1 OF 1
4 PLC ±				REV J1
ANGLES ±° 30' 0"				
FINISH -				