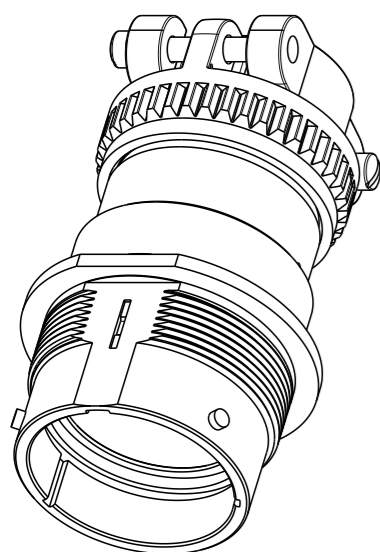
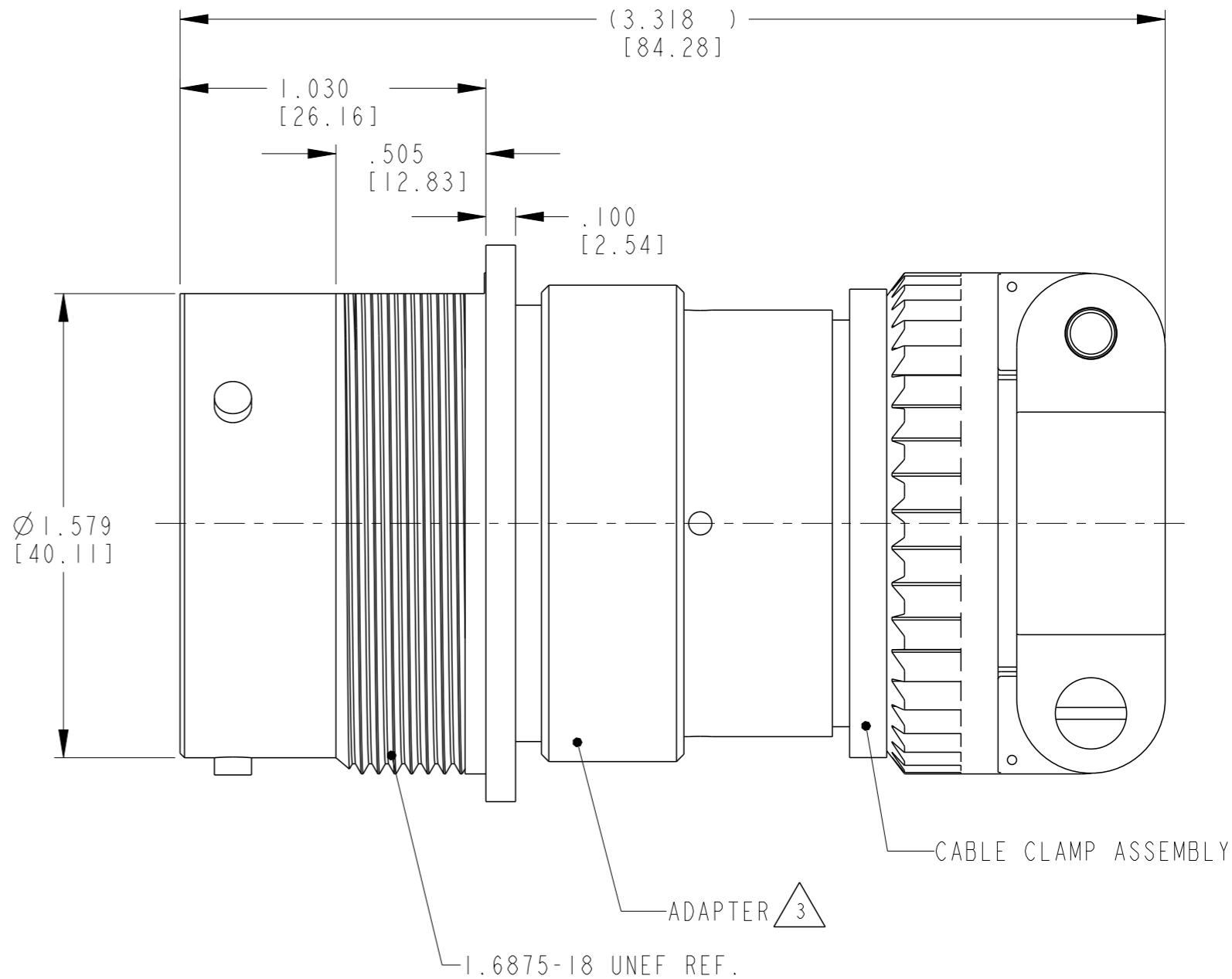
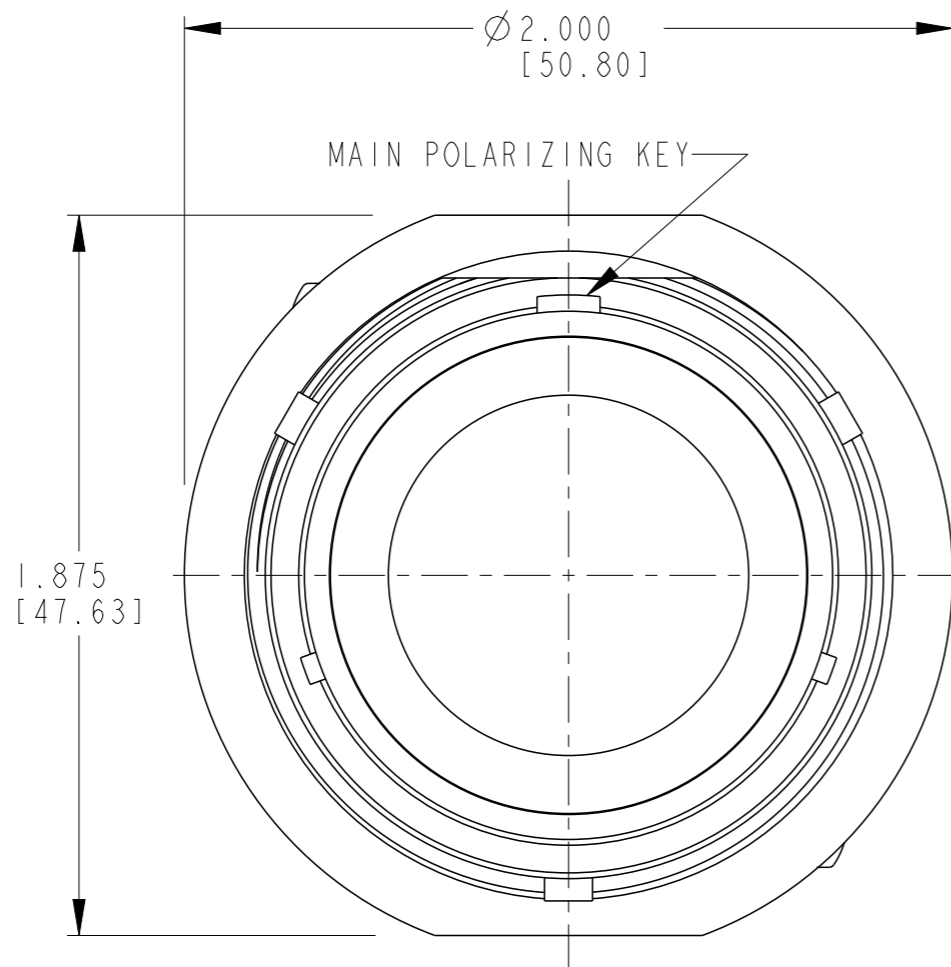


THIS DRAWING IS UNPUBLISHED. RELEASED FOR PUBLICATION 2014  
 © COPYRIGHT 2014 BY - TE CONNECTIVITY ALL RIGHTS RESERVED.

LOC	DIST	REVISIONS				
P	LTR	DESCRIPTION	DATE	DWN	APVD	
-	-	NC	NEW RELEASE PER E.O. P19039	13SEP2005	-	RDR
		A	REVISED PER E.O. P21009	19JUL2011	-	RDR
		A1	REVISED PER ECO-15-001798	10OCT2014	VNB	DM



**3D VIEW**



3. MATERIAL:  
 ADAPTER: AL 6000 SERIES

2. THE CONNECTOR MATES WITH HD36-24-XXP/SX-XXXX  
 X - SEAL DESIGNATION, XX = NUMBER OF CAVITIES,  
 XXXX = MODIFICATION DESIGNATION.

1. FOR ARRANGEMENT OF CONTACT LOCATION  
 SEE ENVELOPE DRAWING 0425-014-2400.

NOTES:

THIS DRAWING IS A CONTROLLED DOCUMENT.		DWN	30OCT2014		<b>STE</b> TE Connectivity			
		CHK	VIJETH BHARADWAJ					
		APVD	31OCT2014		NAME RECEPTACLE CONNECTOR SHELL SIZE 24 BAYONET COUPLING MOD -059 HD30 SERIES			
		APVD	I. GRANTCHAROVA					
DIMENSIONS: INCHES		PRODUCT SPEC	0425-016-0000		SIZE	CAGE CODE	DRAWING NO	RESTRICTED TO
TOLERANCES UNLESS OTHERWISE SPECIFIED:		APPLICATION SPEC	0425-015-0000		A3	-	HD34-24-XXP/SX-059	-
0 PLC ±-		WEIGHT	-		SCALE			
1 PLC ±-		Customer Drawing						
2 PLC ±-		SHEET						
3 PLC ±.010 [±.254]		OF						
4 PLC ±-		REV						
ANGLES ±° 30' 0"		A1						
FINISH -								