

2014

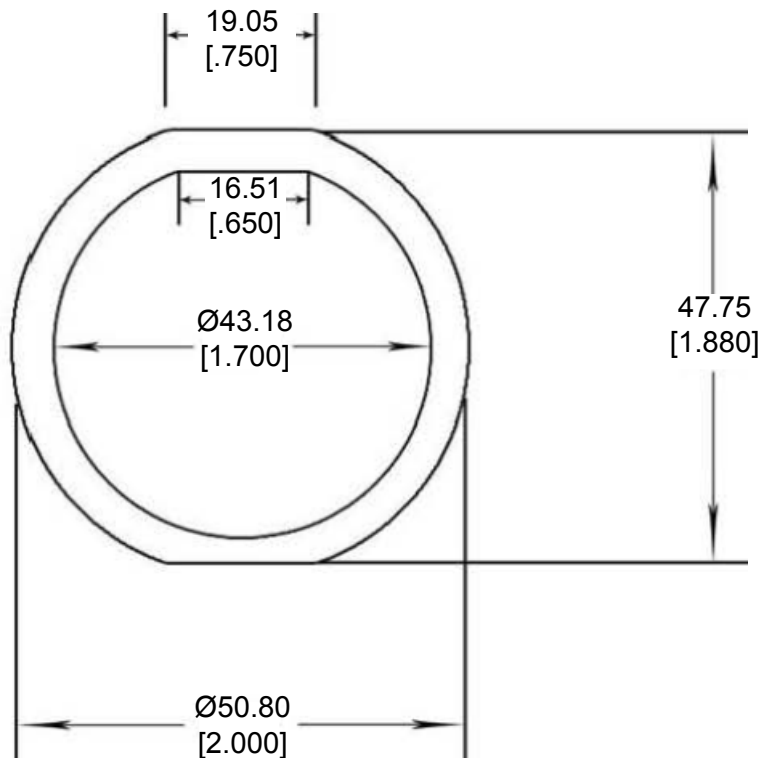
RELEASED FOR PUBLICATION

ALL RIGHTS RESERVED.


© COPYRIGHT 2014 BY TE CONNECTIVITY

REVISIONS

| P | LTR | DESCRIPTION                   | DATE     | DWN | APVD |
|---|-----|-------------------------------|----------|-----|------|
| A |     | NEW RELEASE PER ECO-14-012854 | 08-20-14 | DM  | DM   |



- 4. THICKNESS: 3.18 [.125]
- 3. PART NO. 16-04477
- 2. TEMPERATURE RATING: -57°C TO +107°C [-70°F TO +225°F]
- 1. THIS PART IS USED ON HDP20 / HD30 SIZE 24 RECEPTACLES.

|  |                                |  |                 |   |                 |
|--|--------------------------------|--|-----------------|---|-----------------|
| DIMENSIONS:<br><b>MM [INCH]</b>        | DWN D. MEYER 20AUG2014         | MATERIAL CLD CELL SPONGE   | FINISH BLACK    |   |                 |
|  | CHK I. GRANTCHARVORA 20AUG2014 |  TE Connectivity |                 |   |                 |
| TOLERANCES UNLESS OTHERWISE SPECIFIED: | APVD D. MEYER 20AUG2014        |  |                 | NAME GASKET, RECEPTACLE, SIZE 24<br>HDP20 / HD30 SERIES |                 |
| 0 PLC ±                                | PRODUCT SPEC                   | SIZE A 4   | CAGE CODE 4AFU8 | DRAWING NO C-16-04477                                   | RESTRICTED TO - |
| 1 PLC ±                                | APPLICATION SPEC               | WEIGHT .45 g   |                 | Customer Drawing  |                 |
| 2 PLC ± 0.76 [.030]                    |                                | SCALE NONE   | SHEET 1 OF 1    | REV A   |                 |
| 3 PLC ±                                |                                |  |                 |   |                 |
| 4 PLC ±                                |                                |  |                 |   |                 |
| ANGLES ± 5°                            |                                |  |                 |   |                 |

