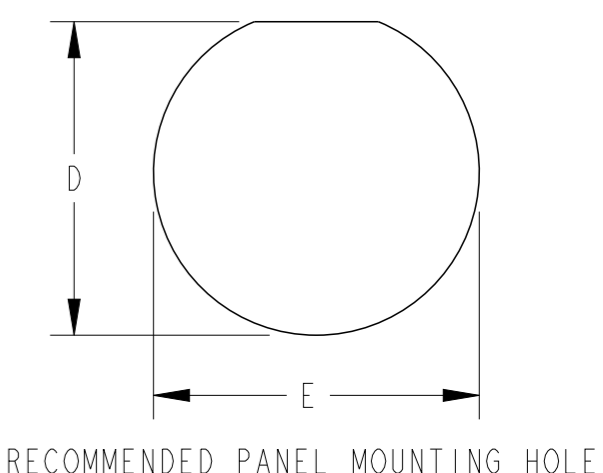
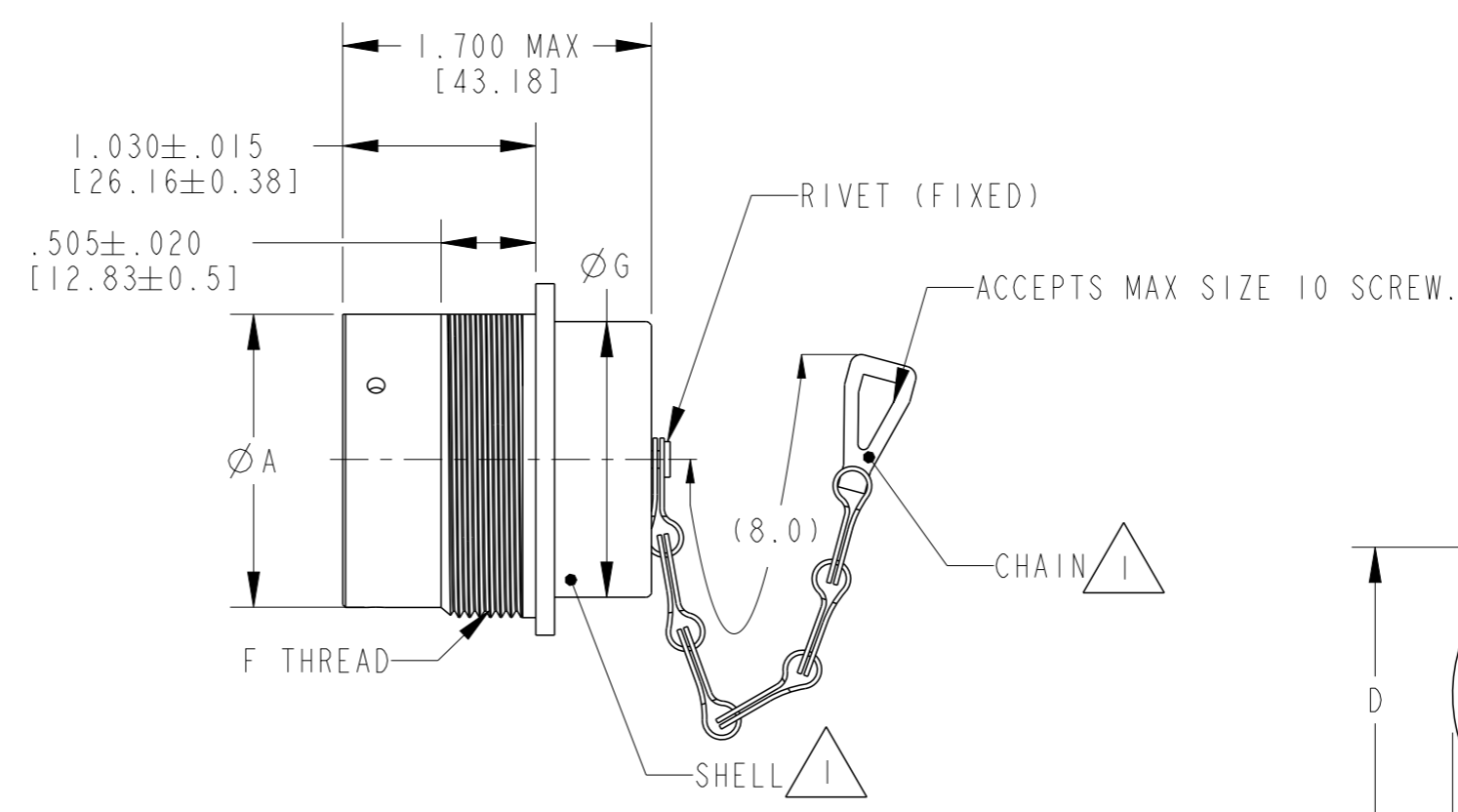
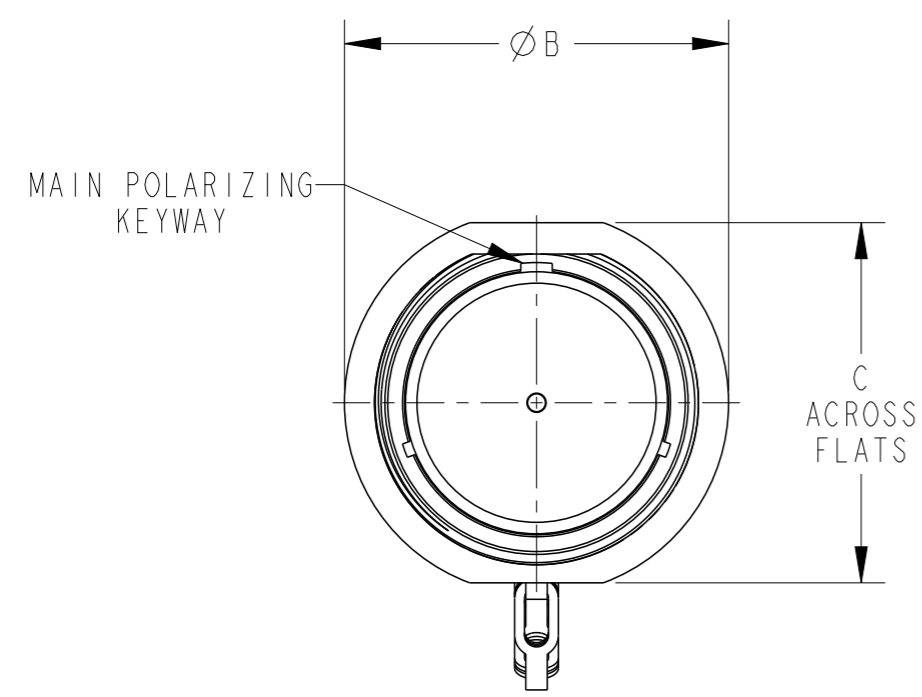


THIS DRAWING IS UNPUBLISHED. RELEASED FOR PUBLICATION 2014  
 © COPYRIGHT 2014 BY TE CONNECTIVITY ALL RIGHTS RESERVED.

LOC	DIST	REVISIONS				
P	LTR	DESCRIPTION	DATE	DWN	APVD	
-	-	A	REVISED/REDRAWN PER E.O. P17809	04DEC2002	-	RDR
		B	REVISED PER E.O. P20651	23DEC2010	-	RDR
		C	REVISED PER E.O. P20815	14MAR2011	-	RDR
		CI	REVISED PER ECO-15-001798	19AUG2014	PV	DM



SHELL SIZE XX	A	B ±.010 [±.254]	C MAX.	D +.010/- .000 [+0.25/- .000]	E ±.005 [±0.12]	F THREAD REF	G
18	1.329 [33.75]	1.750 [44.45]	1.625 [41.27]	1.442 [36.62]	1.507 [38.27]	1.500 - 18 UNEF	1.220 [30.98]
24	1.579 [40.10]	2.000 [50.8]	1.875 [47.62]	1.632 [41.45]	1.696 [43.07]	1.6875 - 18 UNEF	1.470 [37.33]

2. RECOMMENDED PANEL THICKNESS .062[1.57] MIN. TO .1875[4.76] MAX

1. MATERIAL:  
 SHELL: ALUMINUM  
 CHAIN: STAINLESS STEEL

THIS DRAWING IS A CONTROLLED DOCUMENT.

DIMENSIONS: INCHES [mm] TOLERANCES UNLESS OTHERWISE SPECIFIED:  
 0 PLC ±-  
 1 PLC ±-  
 2 PLC ±-  
 3 PLC ±.010 [±.254]  
 4 PLC ±-  
 ANGLES ±0° 30' 0"

MATERIAL SEE NOTE FINISH -

APPROVALS:  
 DWN: VIJETH BHARADWAJ 30OCT2014  
 CHK: I. GRANTCHAROVA 31OCT2014  
 APVD: D. MEYER 31OCT2014

PRODUCT SPEC -  
 APPLICATION SPEC -  
 WEIGHT -

CUSTOMER DRAWING

NAME: COVER, PROTECTION BAYONET COUPLING (TO MATE WITH PLUG)

SIZE: A3 CAGE CODE: - DRAWING NO: ©HDC34-XX RESTRICTED TO: -

SCALE: 1:1 SHEET: 1 OF 1 REV: CI

TE Connectivity