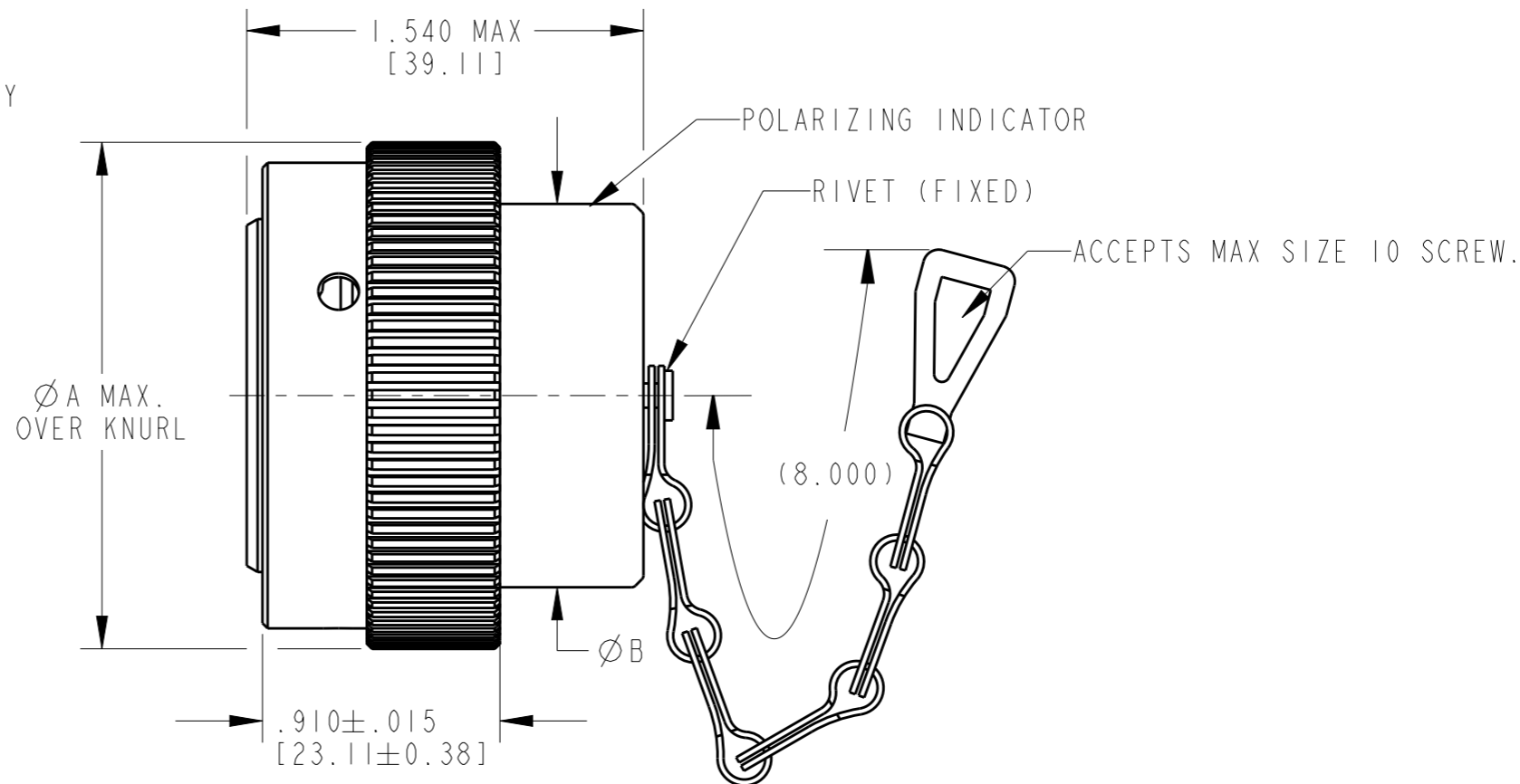
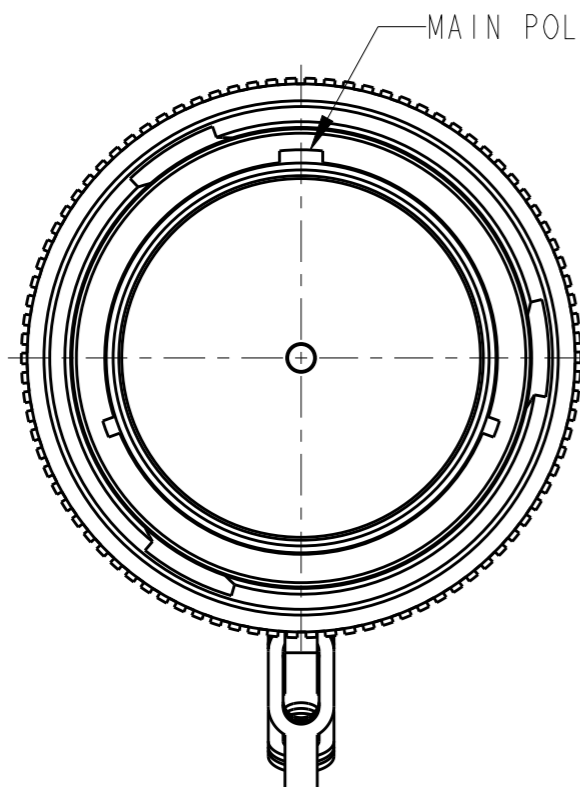
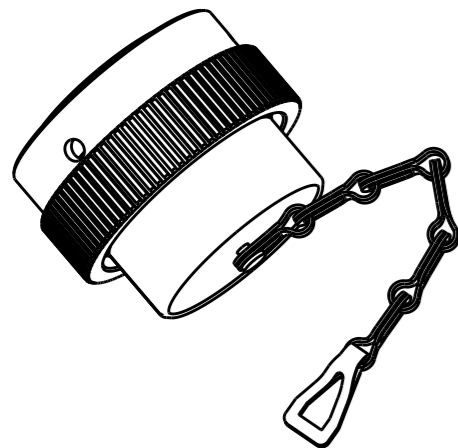


THIS DRAWING IS UNPUBLISHED
 RELEASED FOR PUBLICATION 2013
 ALL RIGHTS RESERVED.


LOC	DIST	REVISIONS			
P	LTR	DESCRIPTION	DATE	DWN	APVD
	B	REVISED REDRAWN PER E.O. P17809	12-23-10	XS	RDR
	C	REVISED PER E.O. P20815	3-19-11	XS	RDR
	D	REVISED PER E.O. P20977	6-28-11	XS	RDR
	D1	REVISED PER ECO-14-006488	4-30-14	JA	DM



SHELL SIZE XX	A MAX. Ø	ØB ±.010 [±0.25]	WEIGHT IN GRAMS
18	1.692 [42.97]	1.220 [30.98]	46.59
24	1.942 [49.32]	1.470 [37.33]	50.62

1 MATERIAL: SHELL: ALUMINUM; CHAIN: STAINLESS STEEL.

NOTES:

THIS DRAWING IS A CONTROLLED DOCUMENT.		DWN 29APR2014 JAIME C. APOSTOL	 TE Connectivity	
DIMENSIONS: INCHES [mm]		CHK 30APR2014 ILINA GRANICHAROVA		
TOLERANCES UNLESS OTHERWISE SPECIFIED:		APVD 30APR2014 DAVID MEYER	PRODUCT SPEC	SIZE A3
0 PLC ± 1 PLC ± 2 PLC ± 3 PLC ±.025 [.64] 4 PLC ± ANGLES ±0°30'0"		APPLICATION SPEC	APPLICATION SPEC	CAGE CODE 4AFU8
MATERIAL 1		FINISH	WEIGHT SEE TABLE	DRAWING NO HDC36-XX
			CUSTOMER DRAWING	RESTRICTED TO -
			SCALE 1.50	SHEET 1 OF 1 REV D1