

4

3

2

1

THIS DRAWING IS UNPUBLISHED.

RELEASED FOR PUBLICATION

20

LOC

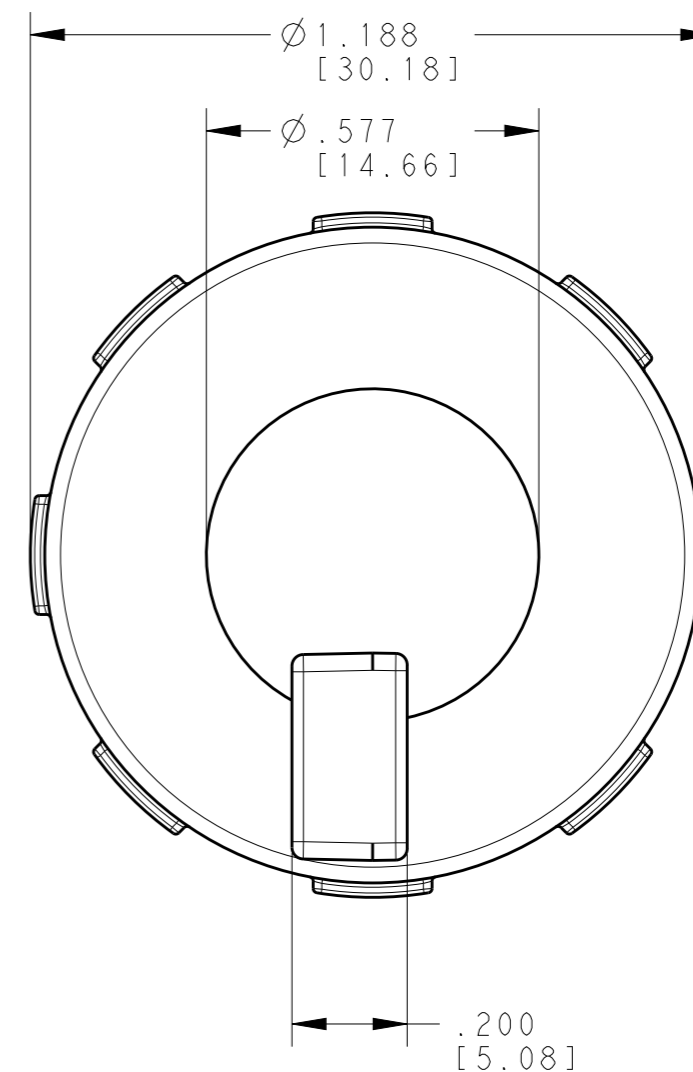
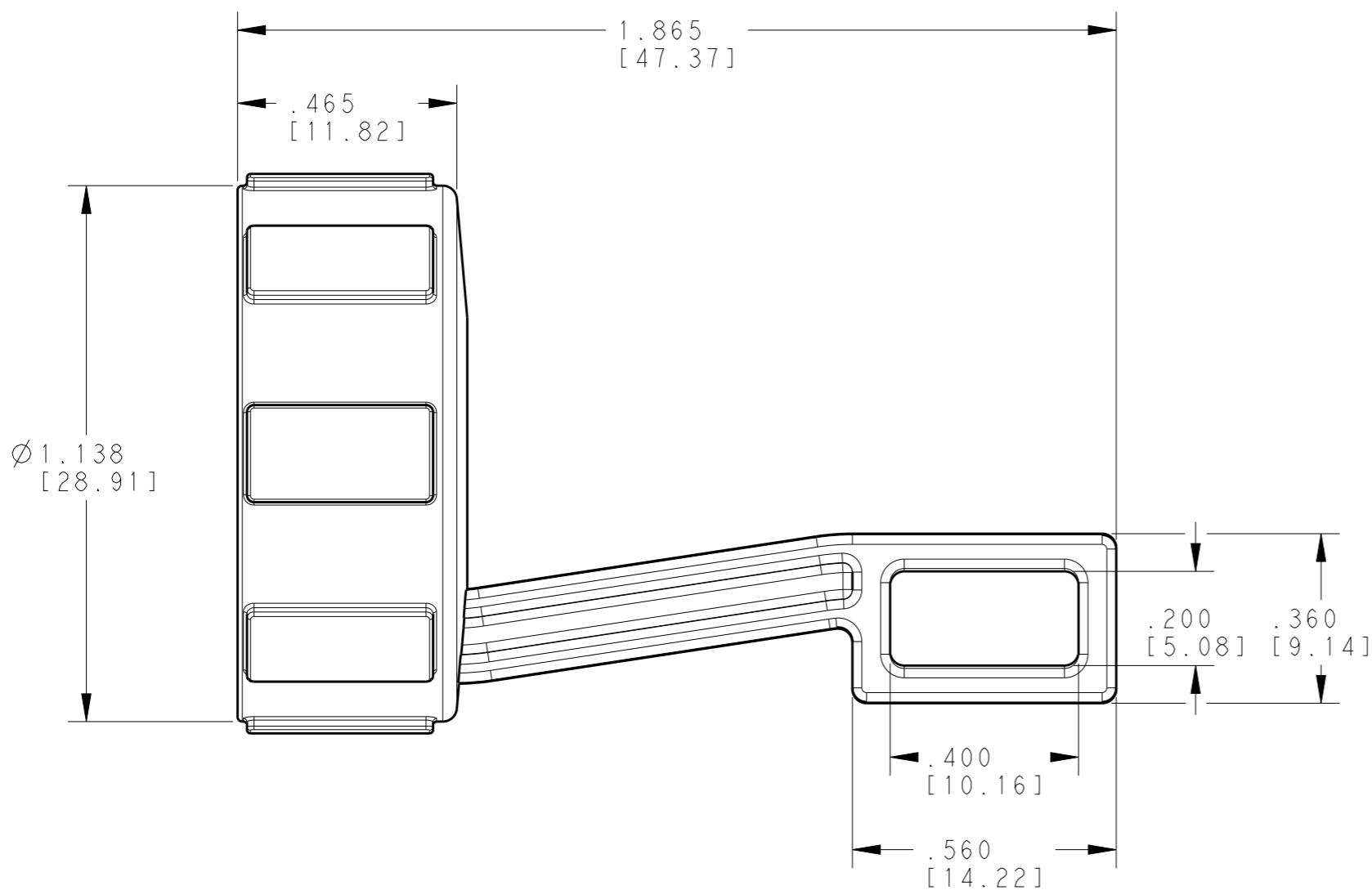
DIST

REVISIONS

© COPYRIGHT 20

ALL RIGHTS RESERVED.


P	LTR	DESCRIPTION	DATE	DWN	APVD
	C	REDRAWN PER E.O. A13795	5-4-92	JN	JRA
	C1	REVISED PER ECO-13-019591	11-13-13	JA	IG



2. THIS BACK SHELL ACCEPTS: HD10-3-96PX, HD14-3-96PX, HD16-3-96SX
X = SEAL TYPE

1. MATERIAL: PLASTIC; COLOR: GRAY.

NOTES: UNLESS OTHERWISE SPECIFIED

THIS DRAWING IS A CONTROLLED DOCUMENT.		DWN 13NOV2013 JAIME C. APOSTOL	 TE Connectivity		
DIMENSIONS: INCHES [mm]		CHK 11-13-13 ILINA GRANTCHAROVA			
TOLERANCES UNLESS OTHERWISE SPECIFIED:		APVD 11-13-13 ILINA GRANTCHAROVA	NAME BACK SHELL SIZE 9 HD10 SERIES		
0 PLC ± 1 PLC ± 2 PLC ± 3 PLC ±.025 [.64] 4 PLC ± ANGLES ±0°30'0"		PRODUCT SPEC	RESTRICTED TO		
MATERIAL		APPLICATION SPEC	SIZE A3	CAGE CODE 4AFU8	DRAWING NO. HD18-003
FINISH		WEIGHT 5.70g	SCALE NONE		
		Customer Drawing	SHEET 1 OF 1	REV C1	