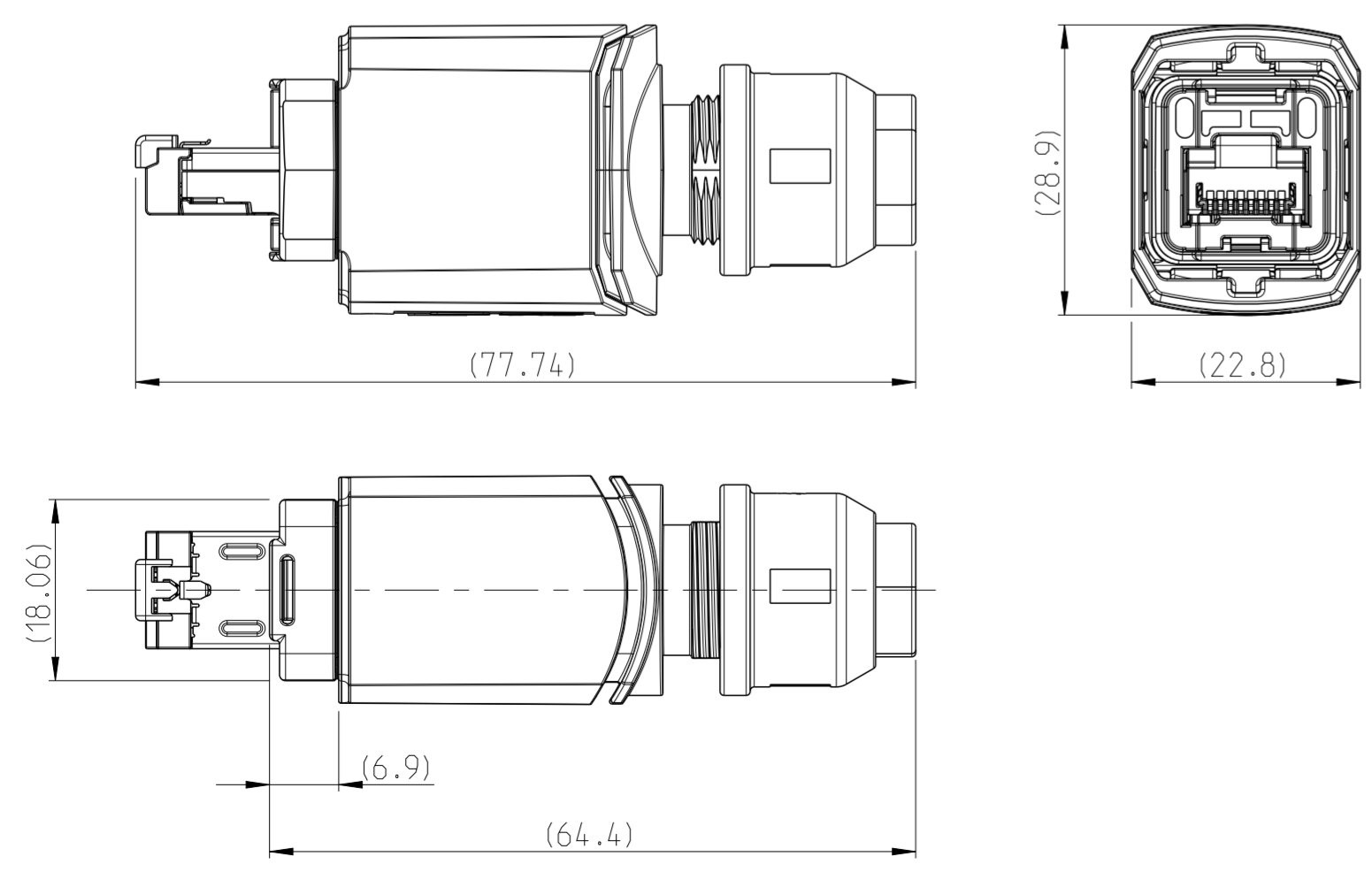


-1 AS SHOWN
-1 WIE GEZEICHNET

- 1 MOUNTING-CYCLE:
- APPLICATION SEE INSTRUCTION SHEET 411-18564
 - 2 PACKAGING:
- CONNECTOR SET PACKED INTO BLISTER PACKAGE.
- BLISTER PACKAGE PACKED INTO CARTON
 - 3 RJ45 APPLICATION ACC. IEC 60076-3-117 AND INTERFACE DIM.
 - 4 NOT SHOWN
-
- 1 MONTAGE:
- VERARBEITUNG SIEHE MONTAGEANWEISUNG 411-18564
 - 2 VERPACKUNG:
- STECKER SET IN BLISTERVERPACKUNG VERPACKT
- BLISTERVERPACKUNG TRAY IN KARTON VERPACKT
 - 3 RJ45 ANWENDUNG NACH IEC 60076-3-117 UND SCHNITTSTELLENMASSE
 - 4 NICHT DARGESTELLT

DIMENSION IN ASSEMBLED CONDITION
MASSE IM ASSEMBLIERTEN ZUSTAND
SCALE / M 3:2



Size ISO 14405 (E)

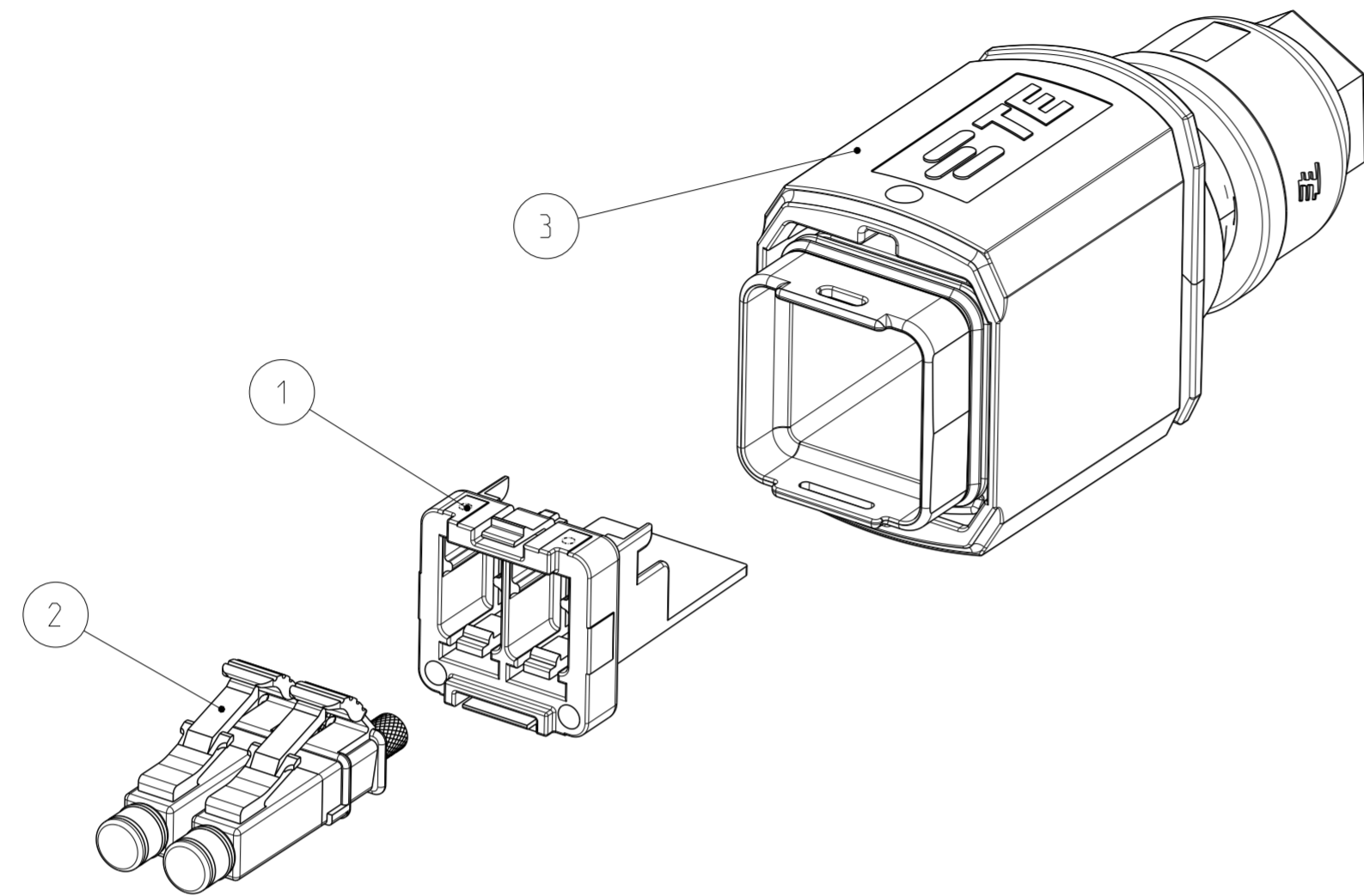
		2120864-1		TE ORDER-NO. BESTELL-NR.		
-	-	1	5	BLISTER PACKAGE BLISTERVERPACKUNG	4	-
-	-	1	4	INSTRUCTION SHEET MONTAGEANWEISUNG	1 4	-
-	-	1	3	PUSH PULL, SUB-ASSY PUSH PULL, SUB-ASSY		3-5 µm Ni OVER 8 µm Cu
-	-	1	2	COMMON CORE ASSY 8POS.. GIGABIT GEM. KERN ASSY 8POL.. GIGABIT		ZP04.10 DIN 12833
-	-	1	1	ADAPTER RJ45, CAT5e PLUG, VARIANTE 14 ADAPTER RJ45, CAT5e STECKER, VARIANTE 14		BLACK SCHWARZ
QUANTITY STUECK		ITEM-NO. POS.	DESCRIPTION BENENNUNG		SURFACE OBERFLAECHE	
					MATERIAL	
					COLOUR/FARBE	

THIS DRAWING IS A CONTROLLED DOCUMENT. DIMENSIONING AND TOLERANCING PER GPS (ISO STANDARDS). DIMENSIONS: MASSE IN EINHEITEN: (MM). TOLERANCES UNLESS OTHERWISE SPECIFIED: ALLGEMEINTOLERANZEN. 0 PLC ±0.2, 1 PLC ±0.2, 2 PLC ±0.2, 3 PLC ±, 4 PLC ±, ANGLES/WINKEL ±2°, FINISH/OBERFLAECHE/FARBE.

DWN: S. HASS, 20SEP2013. CHK: M. STRELOW, 20SEP2013. APVD: C. SCHRETTLINGER, 20SEP2013. PRODUCT SPEC: 108-94207. APPLICATION SPEC: VERARBEITUNGSSPEZ. WEIGHT: 78.6g. Customer Drawing.

STE TE Connectivity. NAME: VARIANT 14, PLUG METAL VARIANTE 14, PLUG METALL RJ45, CAT5e, 8POS. GIGABIT. SIZE: A2. CAGE CODE: 00779. DRAWING NO: C-2120864. RESTRICTED TO NUR FUER. SCALE: 2:1. SHEET: 1 OF 4. REV: A1.

P	LTR	REVISIONS ÄNDERUNGEN DESCRIPTION BESCHREIBUNG	DATE	DWN	APVD
-	-	SEE SHEET 1	-	-	-

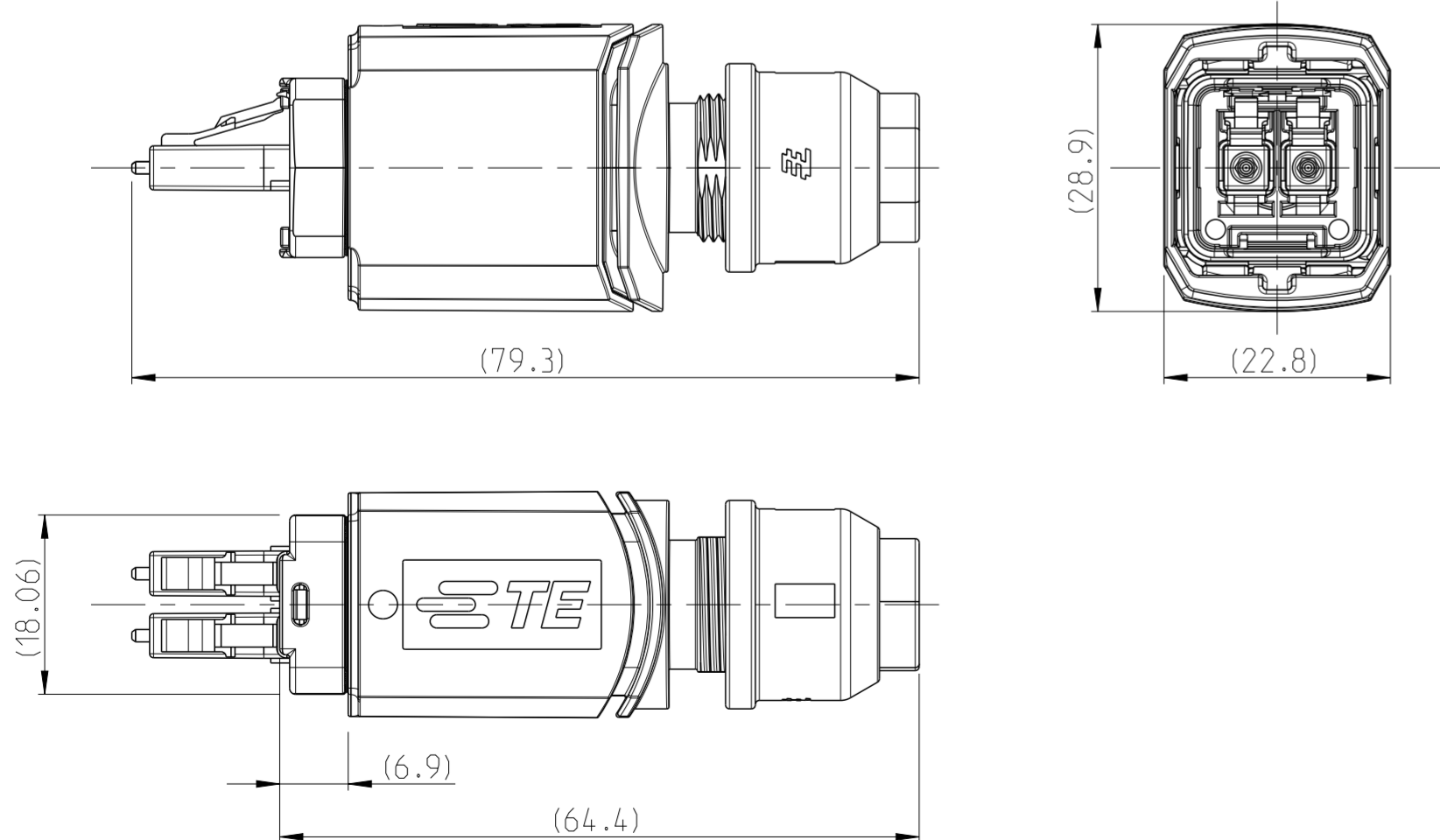


- 1 MOUNTING-CYCLE:
- APPLICATION SEE INSTRUCTION SHEET 411-18565
- 2 PACKAGING:
- CONNECTOR SET PACKED INTO BLISTER PACKAGE
- BLISTER PACKAGE PACKED INTO CARTON
- 3 CONNECTOR APPLICATION ACC. INSTRUCTION SHEET 408-8925
- 4 NOT SHOWN

- 1 MONTAGE:
- VERARBEITUNG SIEHE MONTAGEANWEISUNG 411-18565
- 2 VERPACKUNG:
- STECKER SET IN BLISTERVERPACKUNG VERPACKT
- BLISTERVERPACKUNG IN KARTON VERPACKT
- 3 STECKVERBINDER MONTAGE NACH ARBEITSANWEISUNG 408-8925
- 4 NICHT DARGESTELLT

2--1 AS SHOWN
2--1 WIE GEZEICHNET

DIMENSION IN ASSEMBLED CONDITION
MASSE IM ASSEMBLIERTEN ZUSTAND
SCALE / M 3:2

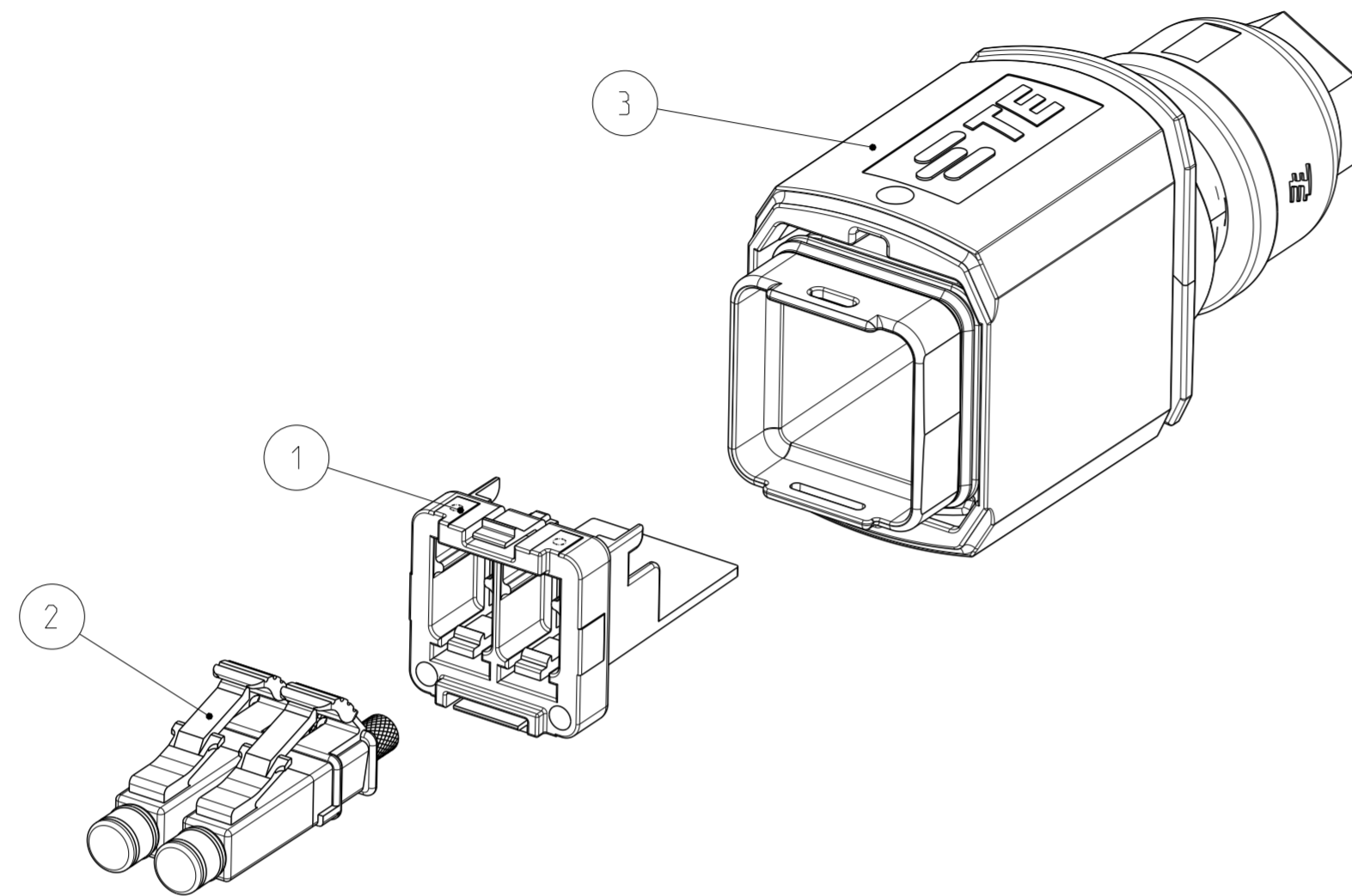


Size ISO 14405 (E)

QUANTITY STÜCK		ITEM-NO. POS.	DESCRIPTION BENENNUNG	SURFACE OBERFLÄCHE COLOUR/FARBE	MATERIAL
-	-	1	5 BLISTER PACKAGE BLISTERVERPACKUNG	-	-
-	-	1	4 INSTRUCTION SHEET MONTAGEANWEISUNG	-	-
-	-	1	3 PUSH PULL, SUB-ASSY PUSH PULL, SUB-ASSY	3-5 µm Ni OVER 8 µm Cu	ZP0410 DIN 12833
-	-	2	2 CONNECTOR ASSEMBLY ONE-PIECE LC. SINGLE MODE GLASFASERVERBINDER, LC, SINGLEMODE	BLUE BLAU	-
-	-	1	1 ADAPTER FIBER OPTIC PLUG, VARIANT 14 ADAPTER FIBER OPTIC STECKER, VARIANTE 14	BLACK SCHWARZ	PBT-GF20

THIS DRAWING IS A CONTROLLED DOCUMENT. DIMENSIONING AND TOLERANCING PER GPS (ISO STANDARDS)		DWN S. HASS 20SEP2013	 TE Connectivity			
DIMENSIONS: MASSEINHEITEN: (MM)		CHK M. STRELOW 20SEP2013				
TOLERANCES UNLESS OTHERWISE SPECIFIED: ALLGEMEINTOLERANZEN		APVD C. SCHREITLINGER 20SEP2013				
0 PLC ±0.2 1 PLC ±0.2 2 PLC ±0.2 3 PLC ± 4 PLC ± ANGLES/WINKEL ±2° FINISH/OBERFLÄCHE/FARBE		NAME VARIANT 14, PLUG METAL VARIANTE 14, PLUG METALL FIBER OPTIC, LC, SINGLE MODE (BLUE)				
MATERIAL	-	WEIGHT GEWICHT 74.9g	SIZE A2	CAGE CODE 00779	DRAWING NO. ZEICHNUNGS-NR. C-2120864	RESTRICTED TO NUR FUER -
Customer Drawing		/KUNDENZEICHNUNG		SCALE MASSSTAB 2:1	SHEET BLATT 2 OF 4	REV A1

P	LTR	REVISIONS AENDERUNGEN	DESCRIPTION	DATE	DWN	APVD
-	-	SEE SHEET 1	BESCHREIBUNG	-	-	-

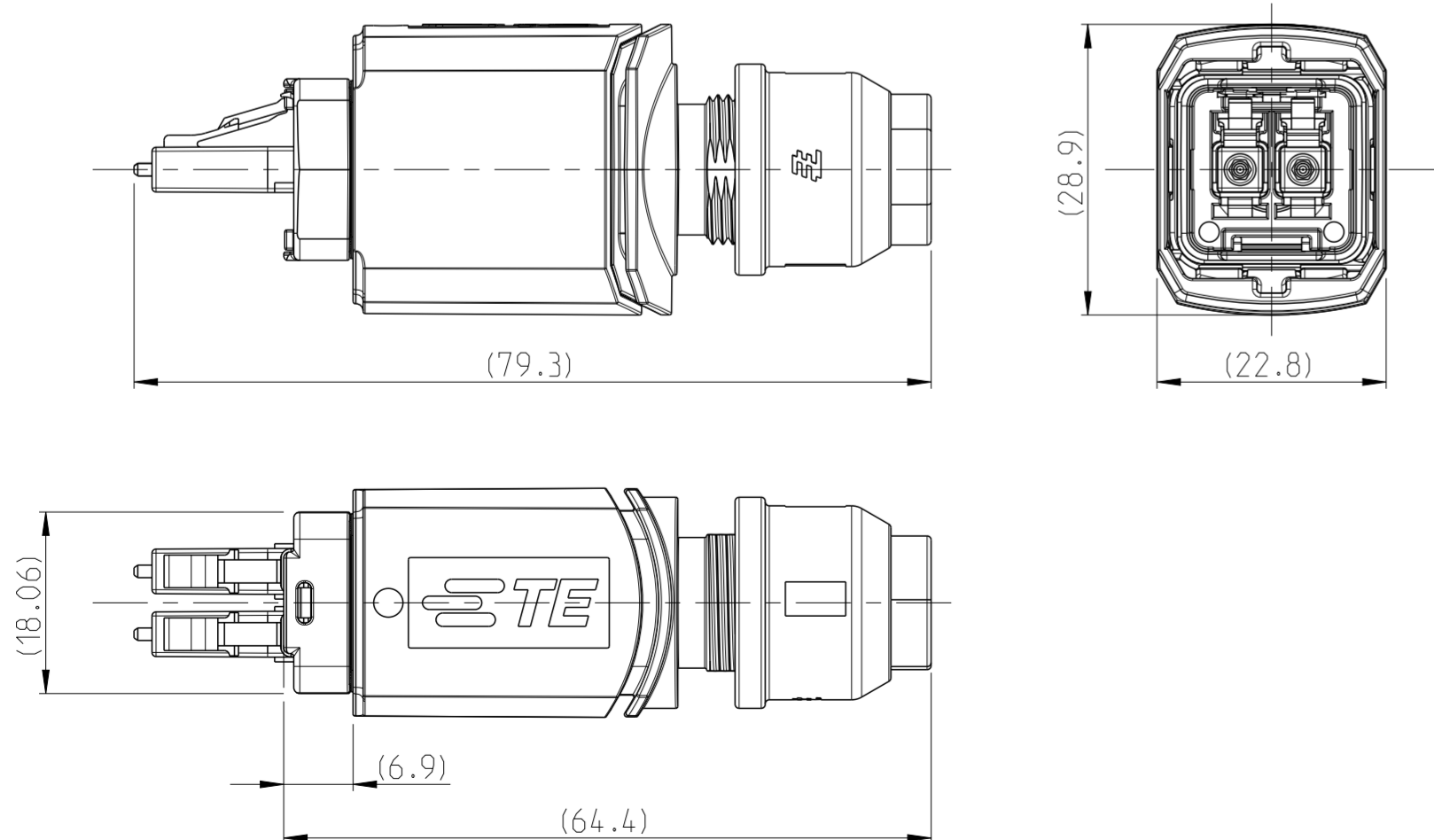


- 1 MOUNTING-CYCLE:
- APPLICATION SEE INSTRUCTION SHEET 411-18565
- 2 PACKAGING:
- CONNECTOR SET PACKED INTO BLISTER PACKAGE
- BLISTER PACKAGE PACKED INTO CARTON
- 3 CONNECTOR APPLICATION ACC. INSTRUCTION SHEET 408-8925
- 4 NOT SHOWN

- 1 MONTAGE:
- VERARBEITUNG SIEHE MONTAGEANWEISUNG 411-18565
- 2 VERPACKUNG:
- STECKER SET IN BLISTERVERPACKUNG VERPACKT
- BLISTERVERPACKUNG IN KARTON VERPACKT
- 3 STECKERVERBINDER MONTAGE NACH ARBEITSANWEISUNG 408-8925
- 4 NICHT DARGESTELLT

3--1 AS SHOWN
3--1 WIE GEZEICHNET

DIMENSION IN ASSEMBLED CONDITION
MASSE IM ASSEMBLIERTEN ZUSTAND
SCALE / M 3:2

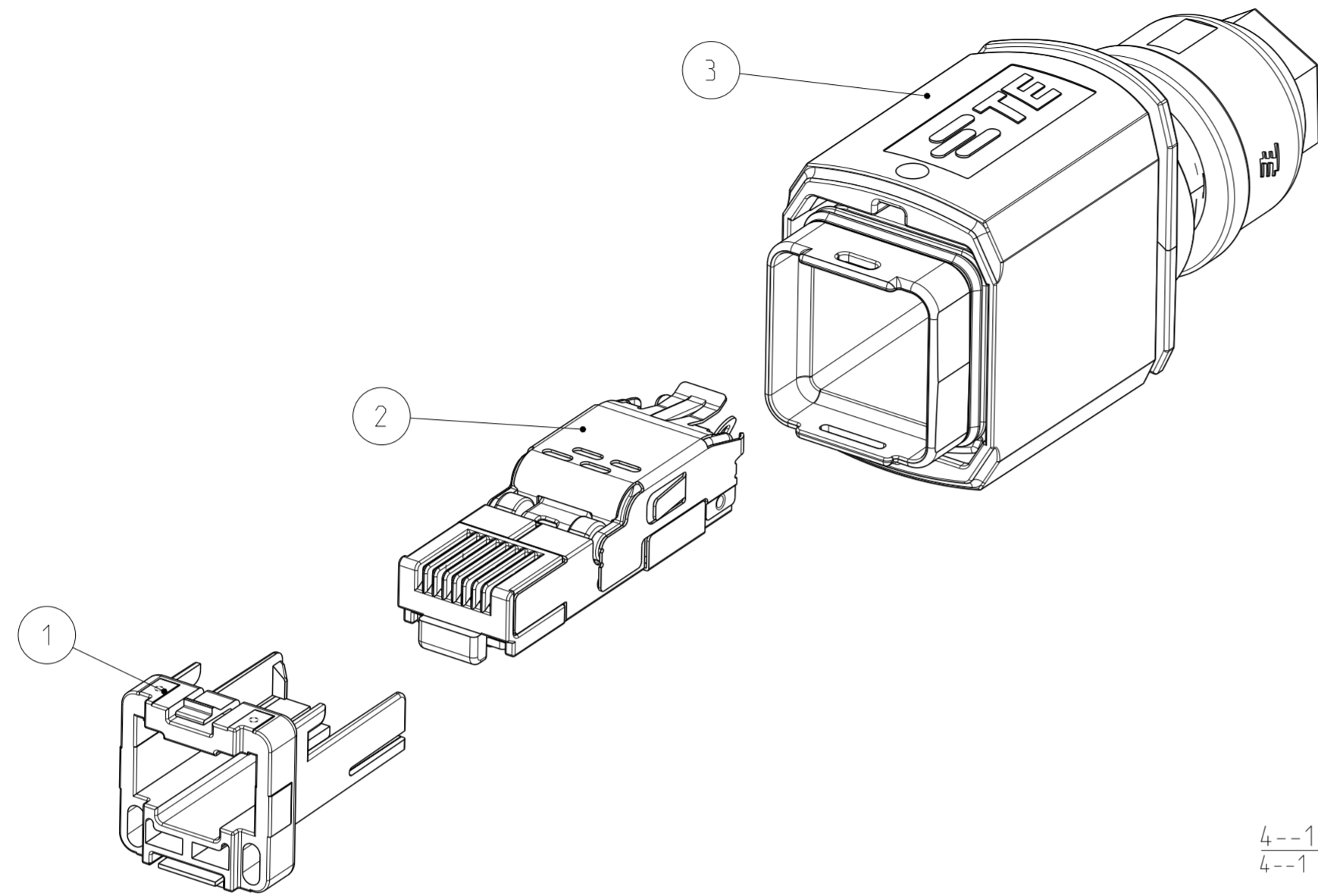


Size ISO 14405 (E)

QUANTITY STÜCK	ITEM-NO. POS.	DESCRIPTION BENENNUNG	SURFACE OBERFLÄCHE	MATERIAL
-	-	3-2120864-1	TE ORDER-NO. BESTELL-NR.	
-	5	BLISTER PACKAGE BLISTERVERPACKUNG	-	-
-	4	INSTRUCTION SHEET MONTAGEANWEISUNG	-	-
-	3	PUSH PULL, SUB-ASSY PUSH PULL, SUB-ASSY	3-5 µm Ni OVER 8 µm Cu	ZP0410 DIN 12833
-	2	CONNECTOR ASSEMBLY ONE-PIECE LC, MULTI MODE GLASFASERVERBINDER, LC, MULTIMODE	BLACK SCHWARZ	-
-	1	ADAPTER FIBER OPTIC PLUG, VARIANT 14 ADAPTER FIBER OPTIC PLUG, VARIANTE 14	BLACK SCHWARZ	PBT-GF20
			COLOR/FARBE	

THIS DRAWING IS A CONTROLLED DOCUMENT. DIMENSIONING AND TOLERANCING PER GPS (ISO STANDARDS).		DWN S. HASS 20SEP2013	 TE Connectivity
DIMENSIONS: MASSEINHEITEN: (MM)		CHK M. STRELOW 20SEP2013	
TOLERANCES UNLESS OTHERWISE SPECIFIED: ALLGEMEINTOLERANZEN		APVD C. SCHRETTLINGER 20SEP2013	
0 PLC ±0.2 1 PLC ±0.2 2 PLC ±0.2 3 PLC ± 4 PLC ± ANGLES/WINKEL ±2° FINISH/OBERFLÄCHE/FARBE		NAME VARIANT 14, PLUG METAL VARIANTE 14, PLUG METALL FIBER OPTIC, LC, MULTI MODE (BEIGE)	
MATERIAL		WEIGHT GEWICHT 74.9g	RESTRICTED TO NUR FUER -
Customer Drawing		SIZE A2	CAGE CODE 00779
		DRAWING NO. ZEICHNUNGS-NR. C-2120864	SCALE MASSSTAB 2:1
		SHEET BLATT 3 OF 4	REV A1

P	LTR	DESCRIPTION BESCHREIBUNG	DATE	DWN	APVD
-	-	SEE SHEET 1	-	-	-

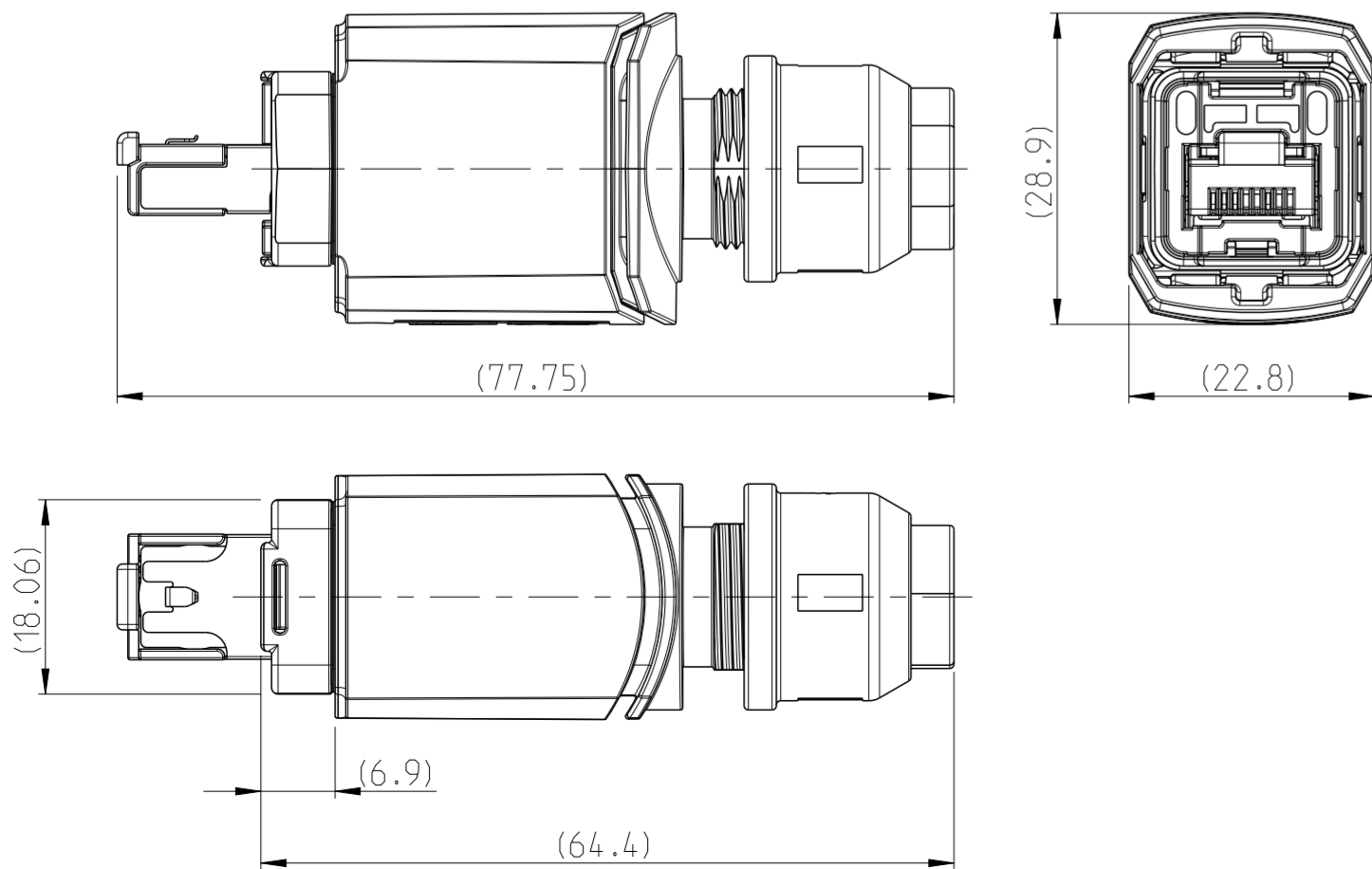


4--1 AS SHOWN
4--1 WIE GEZEICHNET

- 1 MOUNTING-CYCLE:
- APPLICATION SEE INSTRUCTION SHEET 411-18564
- 2 PACKAGING:
- CONNECTOR SET PACKED INTO BLISTER PACKAGE
- BLISTER PACKAGE PACKED INTO CARTON
- 3 RJ45 APPLICATION ACC. IEC 60076-3-117 and INTERFACE DIM.
- 4 NOT SHOWN
- 1 MONTAGE:
- VERARBEITUNG SIEHE MONTAGEANWEISUNG 411-18564
- 2 VERPACKUNG:
- STECKER SET IN BLISTERVERPACKUNG VERPACKT
- BLISTERVERPACKUNG IN KARTON VERPACKT
- 3 RJ45 ANWENDUNG NACH IEC 60076-3-117 UND SCHNITTSTELLENMASSE
- 4 NICHT DARGESTELLT

DIMENSION IN ASSEMBLED CONDITION
MASSE IM ASSEMBLIERTEN ZUSTAND

SCALE / M 3:2



Size ISO 14405 (E)

4-2120864-1		TE ORDER-NO. BESTELL-NR.																					
-	-	1	5	BLISTER PACKAGE BLISTERVERPACKUNG	4	-	-																
-	-	1	4	INSTRUCTION SHEET MONTAGEANWEISUNG	1 4	-	-																
-	-	1	3	PUSH PULL, SUB-ASSY PUSH PULL, SUB-ASSY		3-5 µm Ni OVER 8 µm Cu	ZP0410 DIN 12833																
-	-	1	2	CORE 4POS. ASSY KERN 4POL. ASSY		-	-																
-	-	1	1	ADAPTER RJ45, CAT5e, VARIANTE 14, PLUG ADAPTER RJ45, CAT5e, VARIANTE 14, STECKER		BLACK SCHWARZ	PBT-GF20																
QUANTITY STÜCK	ITEM-NO. POS.	DESCRIPTION BENENNUNG		SURFACE OBERFLÄCHE	MATERIAL																		
				COLOUR/FARBE																			
THIS DRAWING IS A CONTROLLED DOCUMENT. DIMENSIONING AND TOLERANCING PER GPS (ISO STANDARDS)				DWN S. HASS 20SEP2013	STE TE Connectivity																		
DIMENSIONS: MASSEINHEITEN: (MM)				CHK M. STRELOW 20SEP2013																			
TOLERANCES UNLESS OTHERWISE SPECIFIED: ALLGEMEINTOLERANZEN				APVD C. SCHRETTLINGER 20SEP2013																			
<table border="0"> <tr> <td>0 PLC</td> <td>±0.2</td> </tr> <tr> <td>1 PLC</td> <td>±0.2</td> </tr> <tr> <td>2 PLC</td> <td>±0.2</td> </tr> <tr> <td>3 PLC</td> <td>±</td> </tr> <tr> <td>4 PLC</td> <td>±</td> </tr> <tr> <td colspan="2">ANGLES/WINKEL ±2°</td> </tr> <tr> <td colspan="2">FINISH/OBERFLÄCHE/FARBE</td> </tr> </table>				0 PLC	±0.2	1 PLC	±0.2	2 PLC	±0.2	3 PLC	±	4 PLC	±	ANGLES/WINKEL ±2°		FINISH/OBERFLÄCHE/FARBE		PRODUCT SPEC PRODUKTSPEZ. 108-94207	NAME VARIANTE 14, PLUG METAL VARIANTE 14, PLUG METALL RJ45, CAT5e, 4POS	SIZE A2	CAGE CODE 00779	DRAWING NO. ZEICHNUNGS-NR. C-2120864	RESTRICTED TO NUR FUER -
0 PLC	±0.2																						
1 PLC	±0.2																						
2 PLC	±0.2																						
3 PLC	±																						
4 PLC	±																						
ANGLES/WINKEL ±2°																							
FINISH/OBERFLÄCHE/FARBE																							
MATERIAL	-	WEIGHT GEWICHT	78.6g	Customer Drawing	/KUNDENZEICHNUNG	SCALE MASSSTAB 2:1	SHEET BLATT 4	OF VON 4	REV A1														