

BOX ENCLOSURES, INC

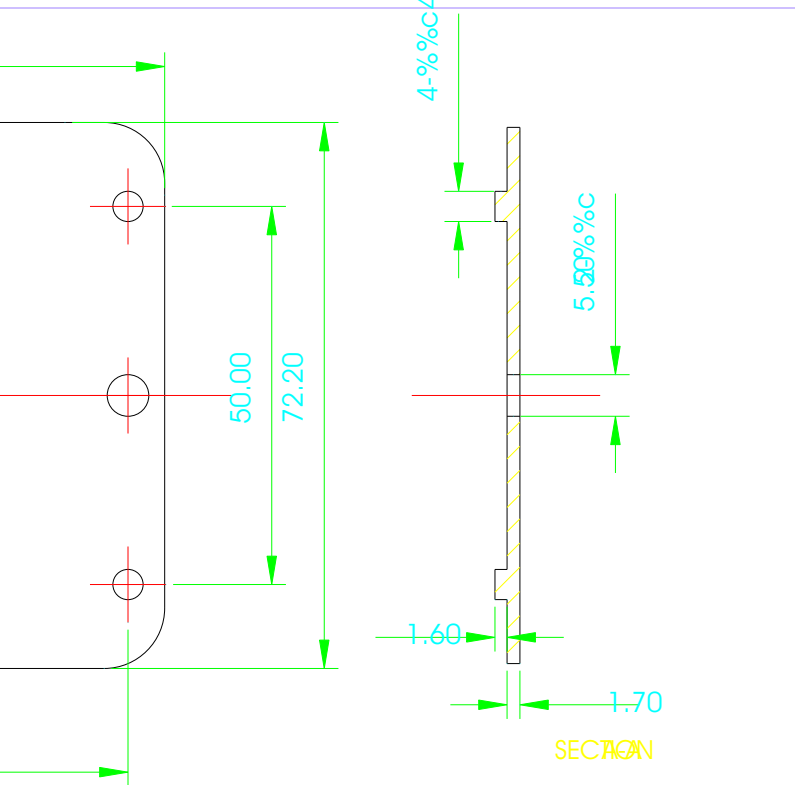
28835 N. HERKY DRIVE, #114,

LAKE BLUFF, IL 60044

WWW.BOXENCLOSURES.COM

TEL: 847-932-4700

FAX: 847-932-4701



Title: BF-21-BOTTOM		Dwg. No.:	Part No.:
Material: ABS	TOLERANCE: all dimension in mm	Color:	Drn. Date: Z.H Iam DEC, 29, 04
Revision:		Model:	

